

# MEDALIST ADA HET

Model 3123-3486



**HYDRO SURGE™**  
FLUSHING SYSTEM

## FEATURES

2" Fully Glazed Trapway

High-Efficiency Toilet (HET) with powerful 1.28 gpf / 4.8 lpf Flush

3" HydroSurge™ Flushing System

Flushes 600 grams of solids\*

8" x 7" Water Surface

5-Year Warranty on Vitreous China

3-Year Warranty on Component and/or Accessory Parts

V-Gloss™ High-Gloss Vitreous China Durable, Nonporous.

Bowl Shape Compatible with Bemis® I500 Toilet Seat

## SPECIFICATIONS

3123-V Elongated Bowl 56 Lbs.

3486-V 12" Rough-In Tank 29 Lbs.



Meets ASME A112.19.2 / CSA B45.1  
Seat Not Included

\*per MaP test

THE PROVEN LEADER  
IN FLUSHING PERFORMANCE™

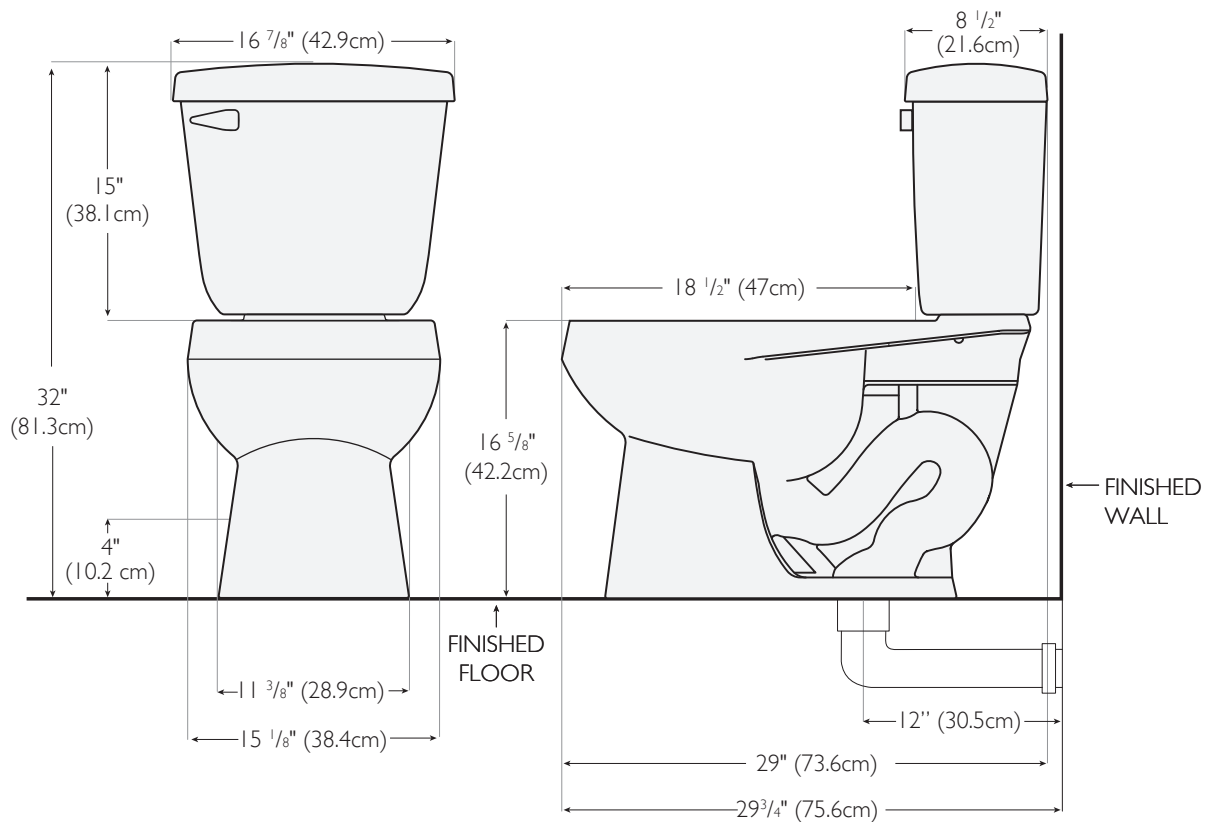
Vortens®

# MEDALIST ADA HET

Model 3123-3486

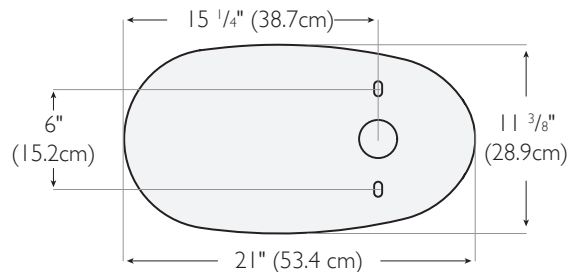
## DIMENSIONS

**IMPORTANT:** Dimensions of fixtures are nominal and may vary within the range of tolerance established by the standards ASME A112.19.2 / CSA B45.1. These measurements are subject to change or cancellation. No responsibility is assumed for use of superseded or voided pages.



## SPECIFICATIONS

3123-V	Elongated Bowl	56 Lbs.
3486-V	12" Rough-In Tank	29 Lbs.
3487-V	10" Rough-In Tank	24 Lbs.
3488-V	14" Rough-In Tank	31 Lbs.
3489-V	12" Right Hand Flush	29 Lbs.



## COLORS

02: White

Other: Refer to price book for additional colors/finishes

Color number is indicated between part number and letter suffix (i.e. 3486-02-V)



**U.S. CUSTOMER SERVICE**  
Toll Free: 866-821-2811  
customerservices@vortens.com  
ussales@vortens.com  
www.vortens.com

**CANADIAN CUSTOMER SERVICE**  
Toll Free: 866-363-1365  
canadiansales@vortens.com  
www.vortens.com

