

TURIN ADA

Model 3355



FEATURES

Splash-Back Lavatory

Drilled for C.I. Wall Carrier

A.D.A. Compliant

5-Year Warranty on Vitreous China

V-Gloss™ High-Gloss Vitreous China –
Durable, Nonporous

SPECIFICATIONS

3355-V	4" Lavatory	36 Lbs.
3356-V	8" Lavatory	36 Lbs.
3357-V	Single Hole Lavatory	36 Lbs.
Dimensions		22" x 18"



Meets ASME A112.19.2 / CSA B45.1
Faucet Not Included

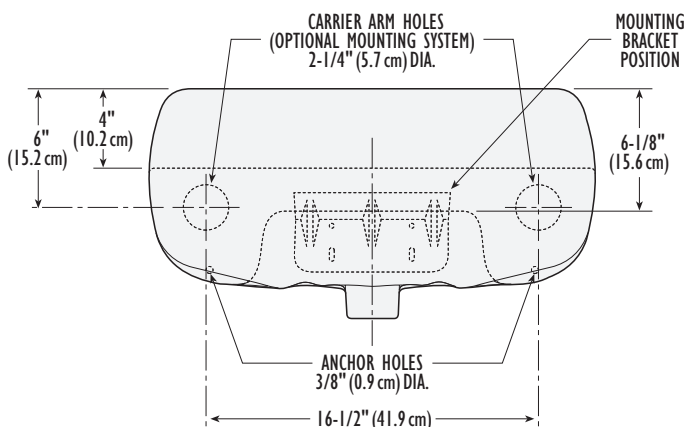
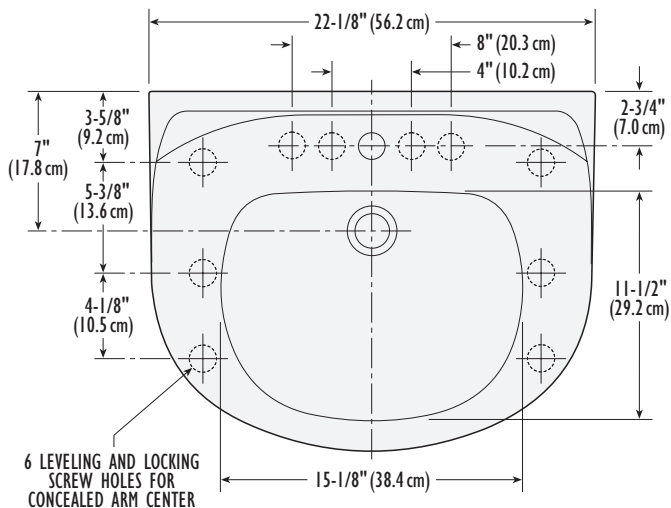
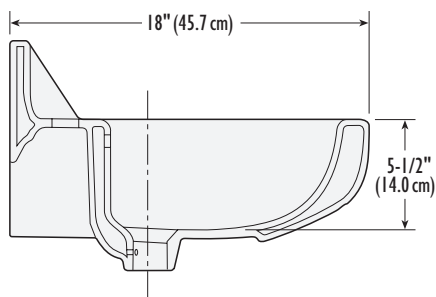
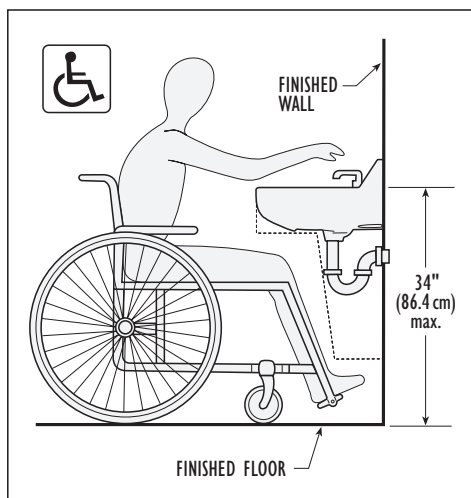
THE PROVEN LEADER
IN FLUSHING PERFORMANCE™

Vortens®
The Vortens logo graphic consists of several curved, horizontal lines that sweep upwards and to the right, creating a sense of motion or a stylized 'V' shape.

TURIN ADA

Model 3355

DIMENSIONS



IMPORTANT: Dimensions of fixtures are nominal and may vary within the range of tolerance established by the standards ASME A112.19.2 / CSA B45.1. These measurements are subject to change or cancellation. No responsibility is assumed for use of superseded or voided pages.

SPECIFICATIONS

3355-V	4" Lavatory	36 Lbs.
3356-V	8" Lavatory	36 Lbs.
3357-V	Single Hole Lavatory	36 Lbs.
Dimensions		22" x 18"

A.D.A. Lavatory Installation Requirements: Lavatories shall be mounted with rim/counter surface no higher than 34 inches (86.4 cm) above finished floor. Provide a clearance range of 27 - 29 inches (68.6 - 73.7 cm) from the floor to the lavatory bottom or lavatory apron depending upon the type installed. For complete details on installation requirements, see A.D.A. Installation Handbook.

COLORS

02: White

Other: Refer to price book for additional colors/finishes

Color number is indicated between part number and letter suffix (i.e. 3464-02-V)



U.S. CUSTOMER SERVICE
Toll Free: 866-821-2811
customerservice@vortens.com
ussales@vortens.com
www.vortens.com

CANADIAN CUSTOMER SERVICE
Toll Free: 866-363-1365
canadiansales@vortens.com
www.vortens.com

