

MEDALIST RF HET

Model 3220-3486



HYDRO SURGE™
FLUSHING SYSTEM

FEATURES

2" Fully Glazed Trapway

High-Efficiency Toilet (HET) with
Powerful 1.28 gpf / 4.8 lpf Flush

3" HydroSurge™ Flushing System

Flushes 600 grams of solids*

6³/₄" × 8" Water Surface

5-Year Warranty on Vitreous China

3-Year Warranty on Component
and/or Accessory Parts

V-Gloss™

Bowl Shape Compatible with
Bemis® 500 Toilet Seat

SPECIFICATIONS

3220-V Round Front Bowl 42 Lbs.

3486-V 12" Rough-In Tank 29 Lbs.



Meets ASME A112.19.2 / CSA B45.1
Seat Not Included

*per MaP test

THE PROVEN LEADER
IN FLUSHING PERFORMANCE™

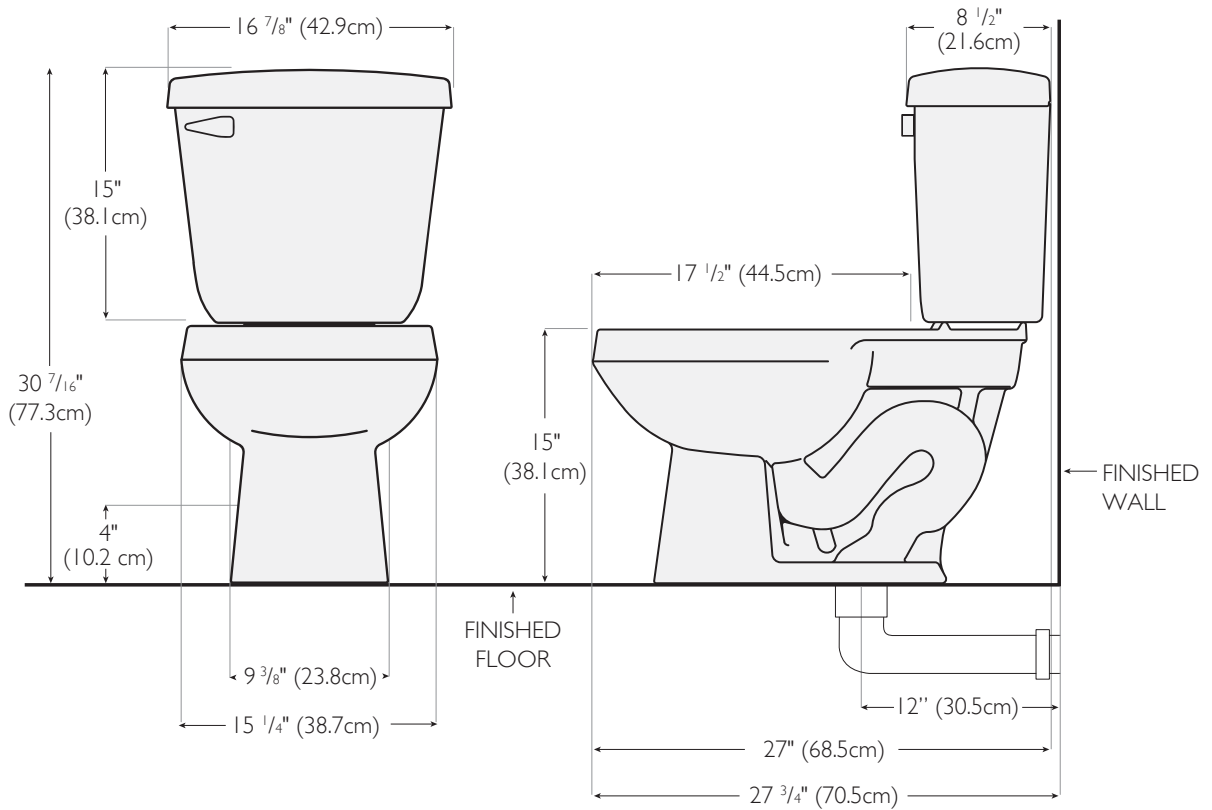
Vortens®

MEDALIST RF HET

Model 3220-3486

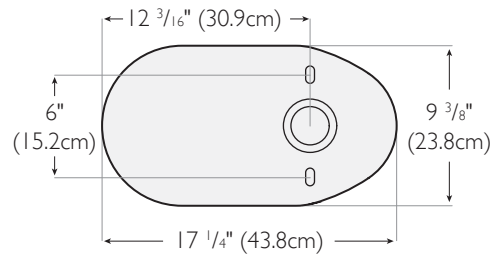
DIMENSIONS

IMPORTANT: Dimensions of fixtures are nominal and may vary within the range of tolerance established by the standards ASME A112.19.2 / CSA B45.1. These measurements are subject to change or cancellation. No responsibility is assumed for use of superseded or voided pages.



SPECIFICATIONS

3220-V	Round Front Bowl	42 Lbs.
3486-V	12" Rough-In Tank	29 Lbs.
3487-V	10" Rough-In Tank	24 Lbs.
3488-V	14" Rough-In Tank	31 Lbs.
3489-V	12" Right Hand Flush	29 Lbs.



COLORS

02: White

Other: Refer to price book for additional colors/finishes

Color number is indicated between part number and letter suffix (i.e. 3486-02-V)



U.S. CUSTOMER SERVICE
Toll Free: 866-821-2811
customerservices@vortens.com
ussales@vortens.com
www.vortens.com

CANADIAN CUSTOMER SERVICE
Toll Free: 866-363-1365
canadiansales@vortens.com
www.vortens.com

