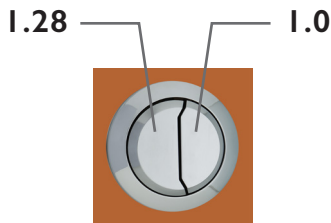


MEDALIST RF DF

Model 3220-3490



With the two-button Dual-Flush System control you can select a powerful, efficient **1.28 gpf / 4.8 lpf Flush** for solid waste or a **1.0 gpf / 3.8 lpf Flush** for liquid waste.



FEATURES

Dual-Flush, High-Efficiency Toilet (HET) with Powerful 1.28 gpf / 4.8 lpf Full Flush and 1.0 gpf / 3.8 lpf Reduced Flush.

2" Fully Glazed Trapway to ensure smoothest flow.

6 $\frac{1}{2}$ " x 8 $\frac{1}{4}$ " Water Surface for cleaner bowl.

V-Gloss™ High-Gloss Vitreous China Durable, Nonporous.

Flushes 500 grams of solids.

5-Year Warranty on Vitreous China.

3-Year Warranty on Component and/or Accessory Parts.

Bowl Shape Compatible with Bemis® 500 Toilet Seat.

SPECIFICATIONS

3220-V	Round Front Bowl	42 Lbs.
3490-V	12" Rough-In Dual-Flush Tank	29 Lbs.



Meets ASME A112.19.2 / CSA B45.1 & ASME A112.12.14
Seat Not Included

THE PROVEN LEADER
IN FLUSHING PERFORMANCE™

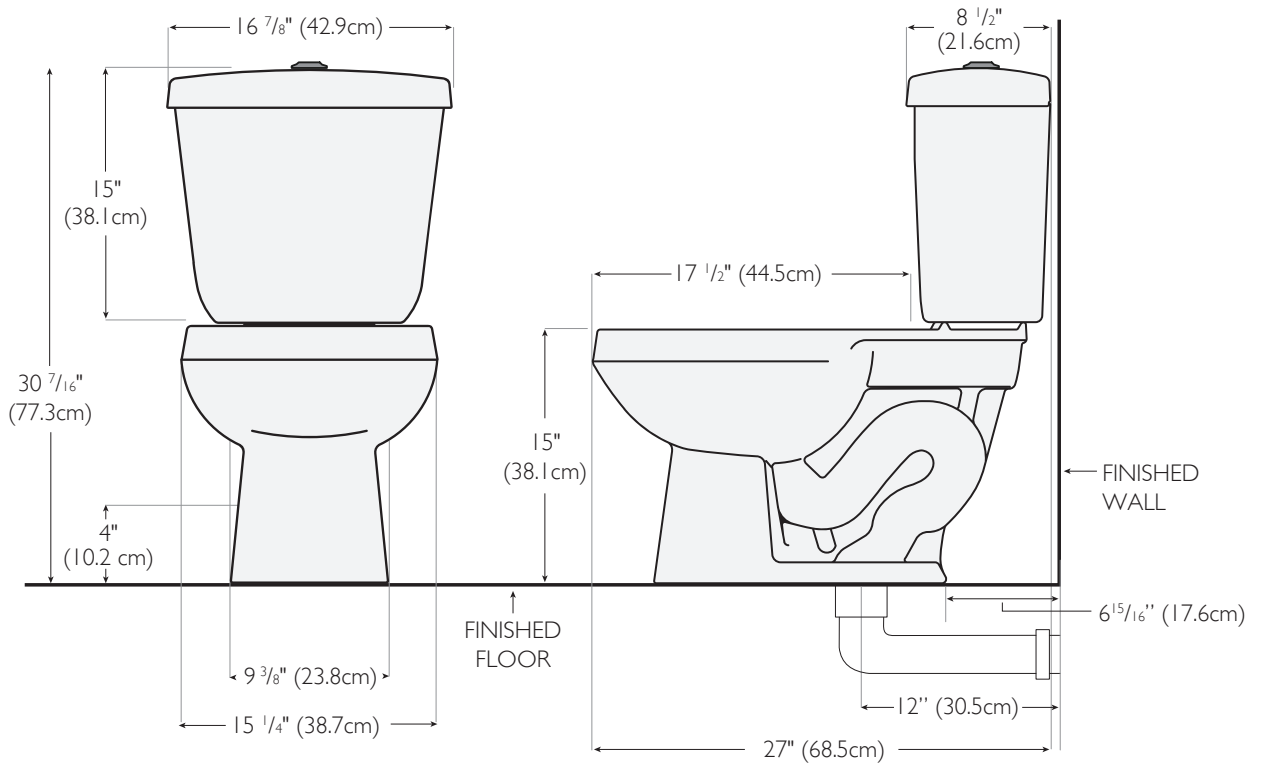


MEDALIST RF DF

Model 3220-3490

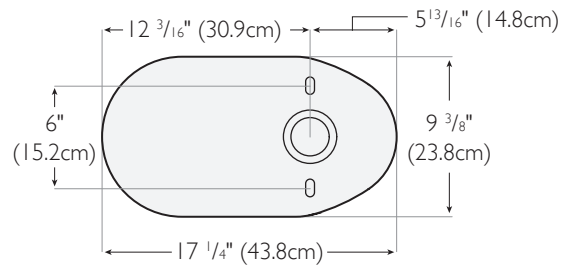
DIMENSIONS

IMPORTANT: Dimensions of fixtures are nominal and may vary within the range of tolerance established by the standards A112.19.2 / CSA B45.1. These measurements are subject to change or cancellation. No responsibility is assumed for use of superseded or voided pages.



SPECIFICATIONS

3220-V	Round Front Bowl	42 Lbs.
3490-V	12" Rough-In Dual-Flush Tank	29 Lbs.



COLORS

02: White

Other: Refer to price book for additional colors/finishes

Color number is indicated between part number and letter suffix (i.e. 3490-02-V)



U.S. CUSTOMER SERVICE
Toll Free: 866-821-2811
customerservices@vortens.com
ussales@vortens.com
www.vortens.com

CANADIAN CUSTOMER SERVICE
Toll Free: 866-363-1365
canadiansales@vortens.com
www.vortens.com

