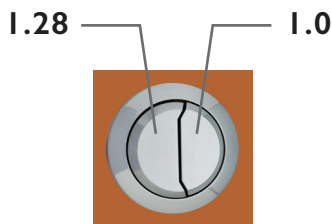


MEDALIST ADA DF

Model 3123-3490



With the two-button Dual-Flush System control you can select a powerful, efficient **1.28 gpf / 4.8 lpf Flush** for solid waste or a **1.0 gpf / 3.8 lpf Flush** for liquid waste.

FEATURES

Dual-Flush, High-Efficiency Toilet (HET) with Powerful 1.28 gpf / 4.8 lpf Full Flush and 1.0 gpf / 3.8 lpf Reduced Flush.

2" Fully Glazed Trapway to ensure smoothest flow.

6³/₄" x 8" Water Surface for cleaner bowl.

Ideal Height™ A.D.A. Compliant - 17" High

V-Gloss™ High-Gloss Vitreous China Durable, Nonporous.

Flushes 600 grams of solids.*

5-Year Warranty on Vitreous China.

3-Year Warranty on Component and/or Accessory Parts.

Bowl Shape Compatible with Bemis® 1500 Toilet Seat.

SPECIFICATIONS

3123-V	Elongated Bowl	56 Lbs.
3490-V	12" Rough-In Dual-Flush Tank	29 Lbs.



Meets ASME A112.19.2 / CSA B45.1 & ASME A112.12.14
Seat Not Included

*Per internal testing by Corona

THE PROVEN LEADER
IN FLUSHING PERFORMANCE™

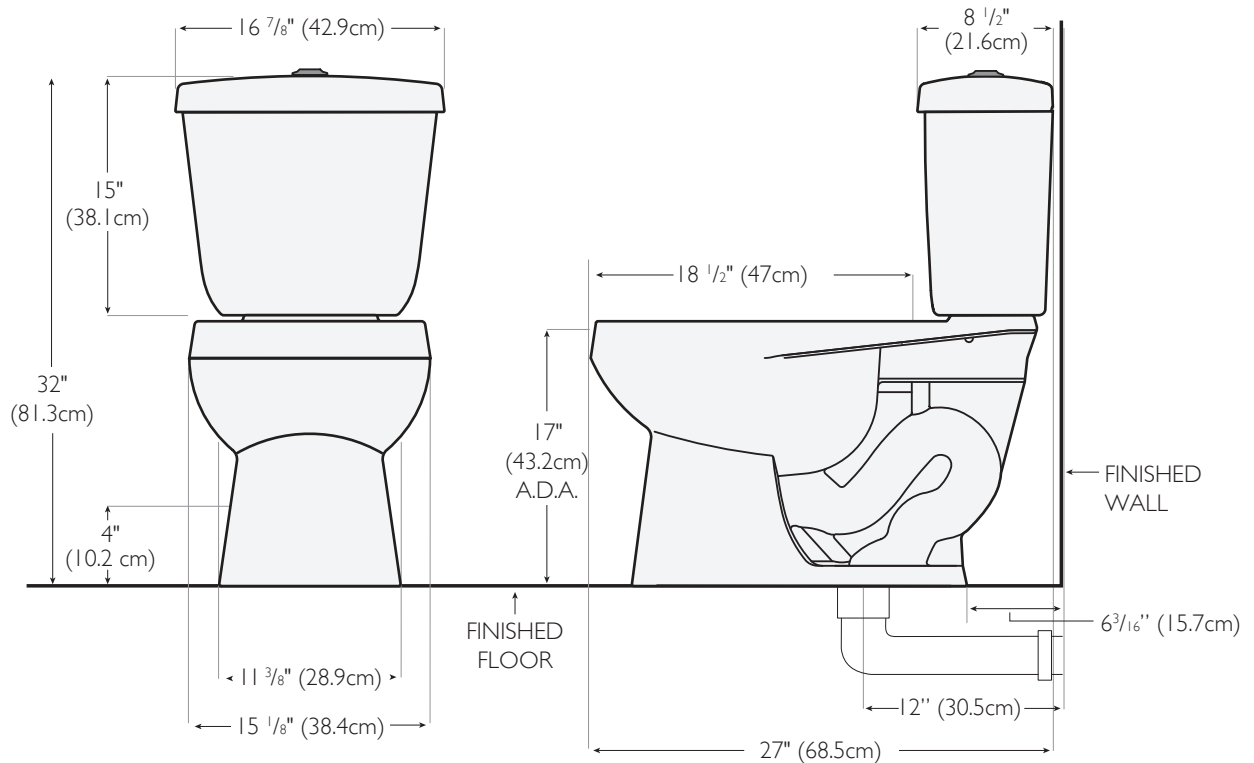
Vortens®

MEDALIST ADA DF

Model 3123-3490

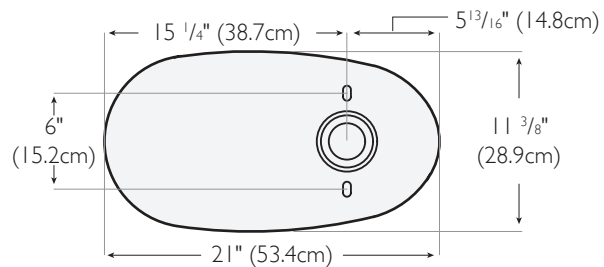
DIMENSIONS

IMPORTANT: Dimensions of fixtures are nominal and may vary within the range of tolerance established by the standards A112.19.2 / CSA B45.1. These measurements are subject to change or cancellation. No responsibility is assumed for use of superseded or voided pages.



SPECIFICATIONS

3123-V	Elongated Bowl	56 Lbs.
3490-V	12" Rough-In Dual-Flush Tank	29 Lbs.



COLORS

02: White

Other: Refer to price book for additional colors/finishes

Color number is indicated between part number and letter suffix (i.e. 3490-02-V)



U.S. CUSTOMER SERVICE
 Toll Free: 866-821-2811
 customerservices@vortens.com
 ussales@vortens.com
 www.vortens.com

CANADIAN CUSTOMER SERVICE
 Toll Free: 866-363-1365
 canadiansales@vortens.com
 www.vortens.com

