

VIENNA EL DF

Model 3113-3436



Model 3113-3438

Model 3113-3436



With the two-button Dual-Flush System control you can select a powerful, efficient 1.6 gpf/6.0 lpf flush for solid waste or a 1.1 gpf/4.0 lpf for liquid waste.



Our Dual-Flush System makes controlling the amount of water per flush easy. Simply move the flush lever forward for a more powerful and efficient 1.6 gpf/6.0 lpf flush for solid waste or backward for a 1.1 gpf/4.0 lpf flush for liquid waste (same as a unial).

FEATURES

2-1/8" Fully Glazed Trapway – Passes a 2" Ball

Dual-Flush, High-Efficiency Toilet (HET) with Powerful 1.6 gpf/6.0 lpf Flush and 1.1 gpf/4.0 lpf Flush

Equipped with – Pilot Valve

Flushes 600 grams of solids*

8-1/2" x 7" Water Surface

5-Year Warranty on Vitreous China

3-Year Warranty on Component and/or Accessory Parts

V-Gloss™ High-Gloss Vitreous China – Durable, Nonporous

Bowl Shape Compatible with Bemis® 170, 1200, 1600 & 1800 Toilet Seats

SPECIFICATIONS

3113-V	Elongated Bowl	48 Lbs.
3436-V	12" Rough-In Dual-Flush Tank	34 Lbs.
3438-V	12" Push-Button Tank	34 Lbs.

See other side for additional options.



Meets ASME A112.19.2 / CSA B45.1
Seat Not Included

*per MaP test

THE PROVEN LEADER
IN FLUSHING PERFORMANCE™

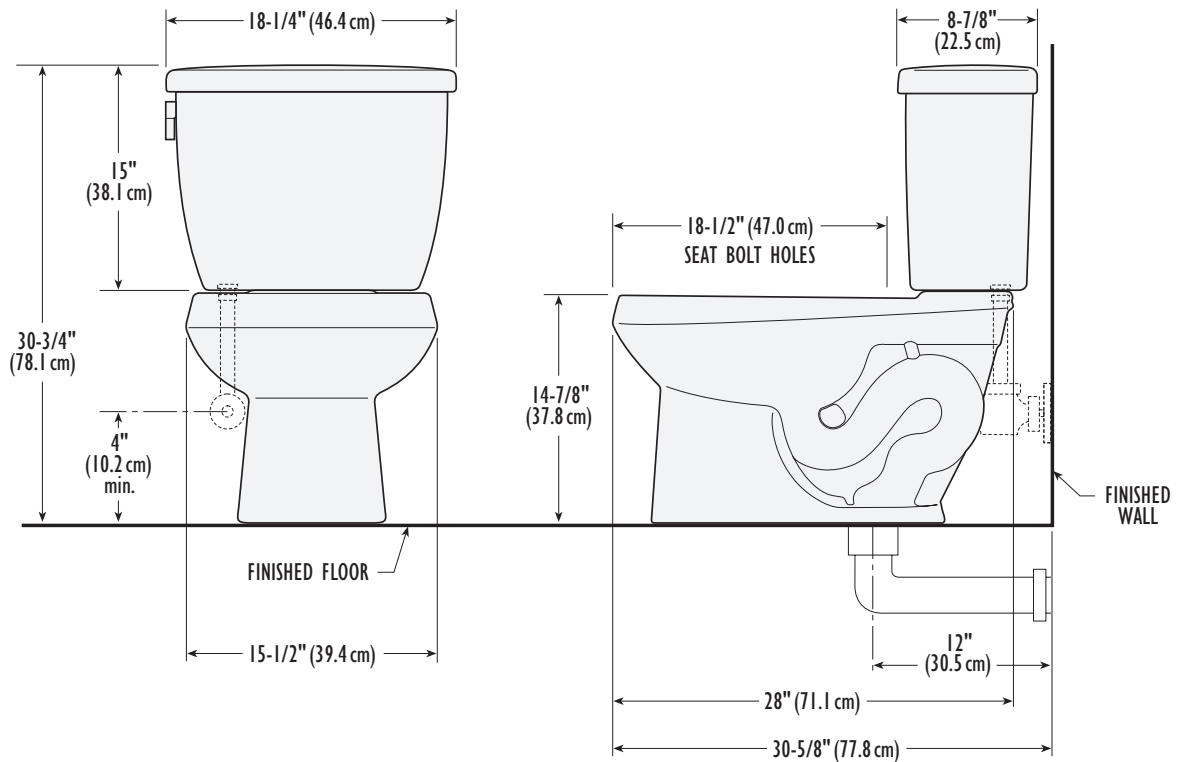


VIENNA EL DF

Model 3113-3436

DIMENSIONS

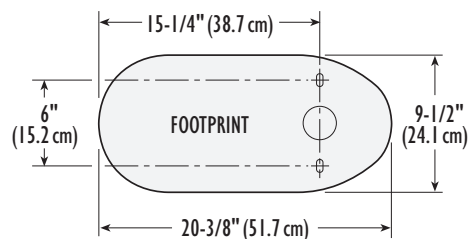
IMPORTANT: Dimensions of fixtures are nominal and may vary within the range of tolerance established by the standards ASME A112.19.2 / CSA B45.1. These measurements are subject to change or cancellation. No responsibility is assumed for use of superseded or voided pages.



SPECIFICATIONS

3113-V	Elongated Bowl	48 Lbs.
3436-V	12" Rough-In Dual-Flush Tank	34 Lbs.
3472-VD	10" Rough-In Dual-Flush Tank	32 Lbs.
3437-V	12" Right-Hand Dual-Flush Tank	34 Lbs.
3438-V	12" Push-Button Tank	34 Lbs.

* Can also be used with Dual-Flush Tank 3420



COLORS

02: White

Other: Refer to price book for additional colors/finishes

Color number is indicated between part number and letter suffix (i.e. 3464-02-V)



U.S. CUSTOMER SERVICE
 Toll Free: 866-821-2811
customerservice@vortens.com
ussales@vortens.com
www.vortens.com

CANADIAN CUSTOMER SERVICE
 Toll Free: 866-363-1365
canadiansales@vortens.com
www.vortens.com

