

MEDALIST ADA

Model 3123-3494



HYDRO SURGE™
FLUSHING SYSTEM

FEATURES

2" Fully Glazed Trapway

Powerful & Efficient 1.6 gpf / 6.0 lpf

3" HydroSurge™ Flushing System

Flushes 800 grams of solids*

8" x 7" Water Surface

5-Year Warranty on Vitreous China

3-Year Warranty on Component
and/or Accessory Parts

V-Gloss™

Bowl Shape Compatible with
Bemis® 1500 Toilet Seat

SPECIFICATIONS

3123-V	Elongated Bowl	56 Lbs.
3494-V	12" Rough-In Tank	29 Lbs.



Meets ASME A112.19.2 / CSA B45.1
Seat Not Included
*Per internal testing by Corona

THE PROVEN LEADER
IN FLUSHING PERFORMANCE™

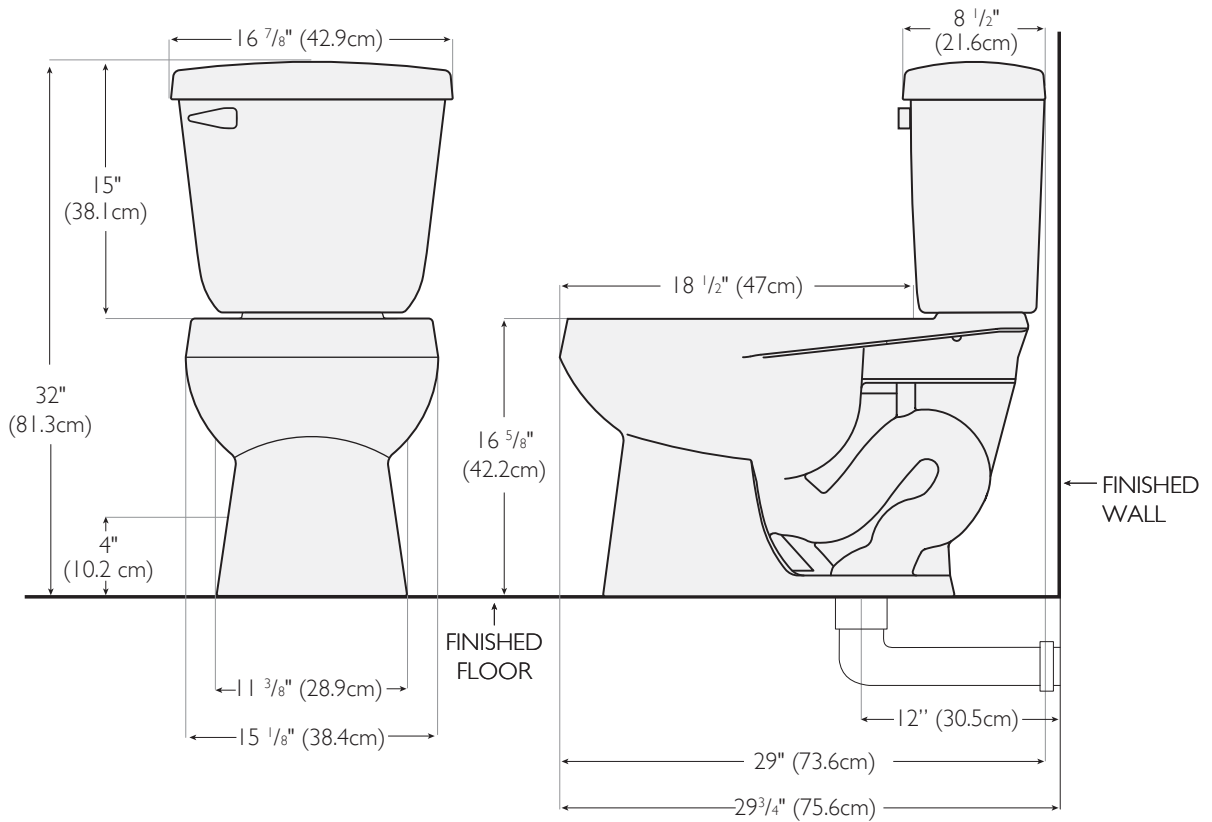
Vortens®
TM

MEDALIST ADA

Model 3123-3494

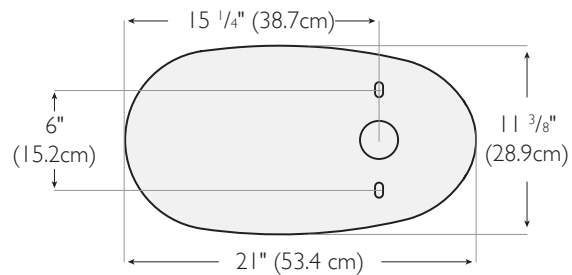
DIMENSIONS

IMPORTANT: Dimensions of fixtures are nominal and may vary within the range of tolerance established by the standards ASME A112.19.2 / CSA B45.1. These measurements are subject to change or cancellation. No responsibility is assumed for use of superseded or voided pages.



SPECIFICATIONS

3123-V	Elongated Bowl	56 Lbs.
3494-V	12" Rough-In Tank	29 Lbs.



COLORS

02: White

Other: Refer to price book for additional colors/finishes

Color number is indicated between part number and letter suffix (i.e. 3494-02-V)



U.S. CUSTOMER SERVICE
 Toll Free: 866-821-2811
customerservices@vortens.com
ussales@vortens.com
www.vortens.com

CANADIAN CUSTOMER SERVICE
 Toll Free: 866-363-1365
canadiansales@vortens.com
www.vortens.com

