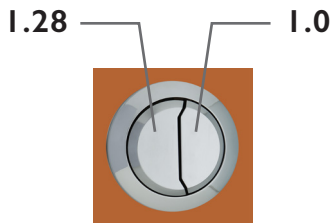


# MEDALIST RF DF

Model 3220-3490



With the two-button Dual-Flush System control you can select a powerful, efficient **1.28 gpf / 4.8 lpf Flush** for solid waste or a **1.0 gpf / 3.8 lpf Flush** for liquid waste.

**HYDRO SURGE**  
FLUSHING SYSTEM

## FEATURES

Dual-Flush, High-Efficiency Toilet (HET) with Powerful 1.28 gpf / 4.8 lpf Full Flush and 1.0 gpf / 3.8 lpf Reduced Flush.

2" Fully Glazed Trapway to ensure smoothest flow.

6 $\frac{1}{2}$ " x 8 $\frac{1}{4}$ " Water Surface for cleaner bowl.

V-Gloss™ High-Gloss Vitreous China Durable, Nonporous.

Flushes 600 grams of solids.\*

5-Year Warranty on Vitreous China.

3-Year Warranty on Component and/or Accessory Parts.

Bowl Shape Compatible with Bemis® 500 Toilet Seat.

## SPECIFICATIONS

3220-V	Round Front Bowl	42 Lbs.
3490-V	12" Rough-In Dual-Flush Tank	29 Lbs.



Meets ASME A112.19.2 / CSA B45.1 & ASME A112.12.14  
Seat Not Included

\*Per internal testing by Corona

THE PROVEN LEADER  
IN FLUSHING PERFORMANCE™

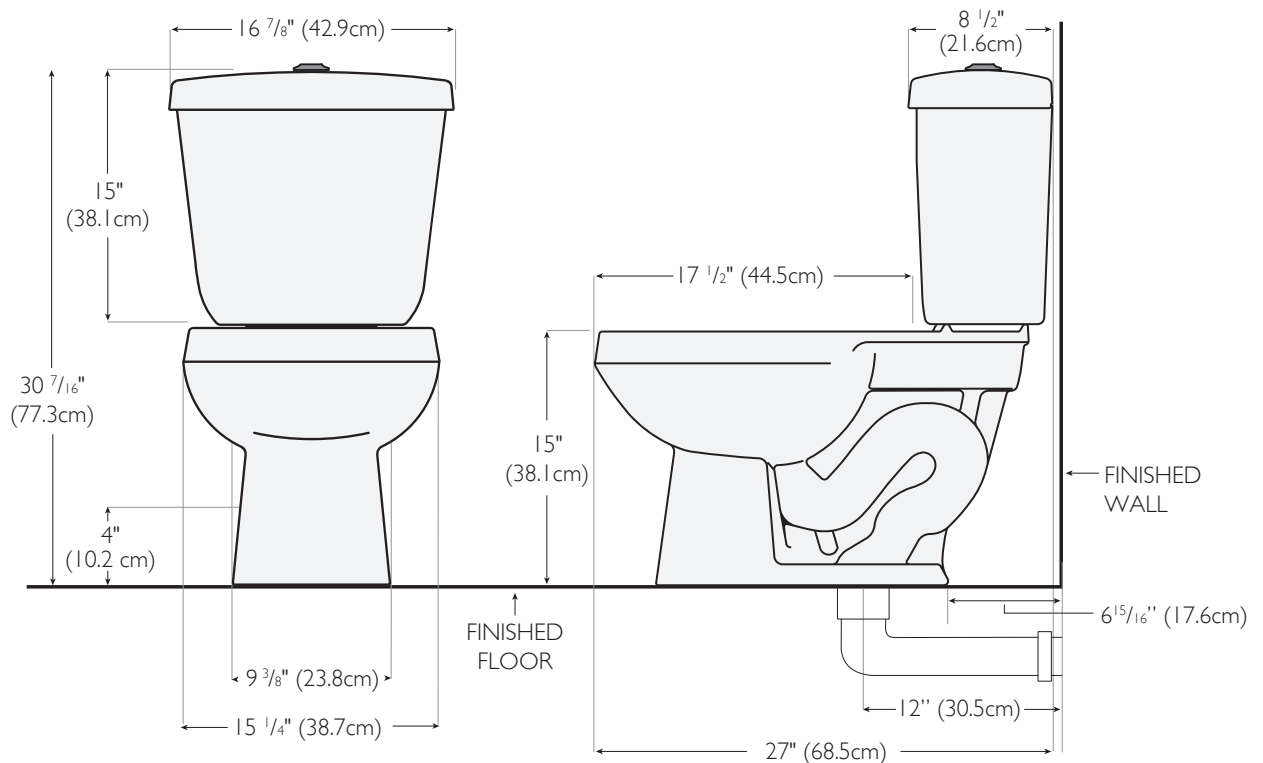
Vortens®

# MEDALIST RF DF

Model 3220-3490

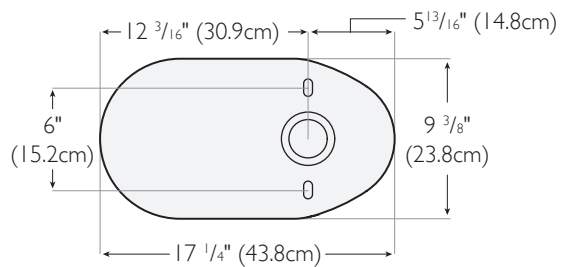
## DIMENSIONS

**IMPORTANT:** Dimensions of fixtures are nominal and may vary within the range of tolerance established by the standards A112.19.2 / CSA B45.1. These measurements are subject to change or cancellation. No responsibility is assumed for use of superseded or voided pages.



## SPECIFICATIONS

3220-V	Round Front Bowl	42 Lbs.
3490-V	12" Rough-In Dual-Flush Tank	29 Lbs.



## COLORS

02: White

Other: Refer to price book for additional colors/finishes

Color number is indicated between part number and letter suffix (i.e. 3490-02-V)



**U.S. CUSTOMER SERVICE**  
 Toll Free: 866-821-2811  
 customerservices@vortens.com  
 ussales@vortens.com  
 www.vortens.com

**CANADIAN CUSTOMER SERVICE**  
 Toll Free: 866-363-1365  
 canadiansales@vortens.com  
 www.vortens.com

