

VIENNA ADA FLUX HET

Model 3114



FEATURES

2-1/8" Fully Glazed Trapway –
Passes a 2" Ball

High-Efficiency Toilet (HET) with
Powerful 1.28 gpf/4.8 lpf Flush

Can be Used with 1.6 gpf/6.0 lpf
Flush Valve

Powerful Jet Flush

Flushes 1,000 grams of solids*

Equipped with – 1-1/2" Brass Top Spud

Extra-Large 10" x 12" Water Surface

A.D.A. Compliant – 17" High

5-Year Warranty on Vitreous China

V-Gloss™ High-Gloss Vitreous China –
Durable, Nonporous

Bowl Shape Compatible with Bemis®
1955CT Toilet Seat

SPECIFICATIONS

3114-V 10" Rough-In Bowl 51 Lbs.



Meets ASME A112.19.2 / CSA B45.1
Seat and Flush Valve Not Included

*per MaP test

THE PROVEN LEADER
IN FLUSHING PERFORMANCE™

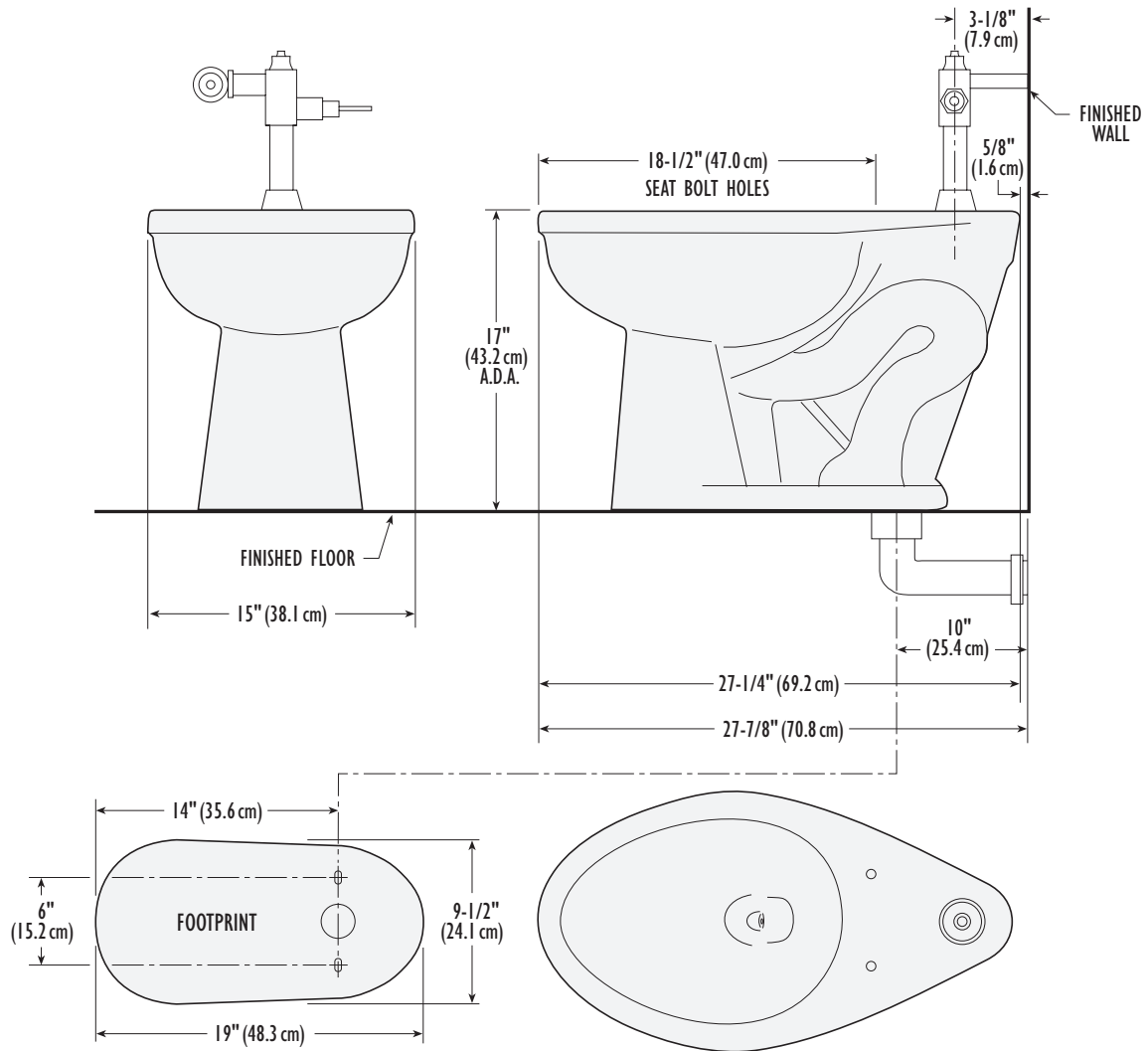
Vortens®

VIENNA ADA FLUX HET

Model 3114

DIMENSIONS

IMPORTANT: Dimensions of fixtures are nominal and may vary within the range of tolerance established by the standards ASME A112.19.2 / CSA B45.1. These measurements are subject to change or cancellation. No responsibility is assumed for use of superseded or voided pages.



SPECIFICATIONS

3114-V 10" Rough-In Bowl 51 Lbs.

COLORS

02: White

Other: Refer to price book for additional colors/finishes

Color number is indicated between part number and letter suffix (i.e. 3464-02-V)



U.S. CUSTOMER SERVICE
 Toll Free: 866-821-2811
customerservice@vortens.com
ussales@vortens.com
www.vortens.com

CANADIAN CUSTOMER SERVICE
 Toll Free: 866-363-1365
canadiansales@vortens.com
www.vortens.com

