

# TOSCANA

Model 3370



## FEATURES

Hidden Front Overflow

5-Year Warranty on Vitreous China

V-Gloss™ High-Gloss Vitreous China –  
Durable, Nonporous

## SPECIFICATIONS

3370-V Basin 20 Lbs.

Dimensions 24-1/8" x 15-3/8" Rectangular



Meets ASME A112.19.2 / CSA B45.1  
Faucet Not Included

THE PROVEN LEADER  
IN FLUSHING PERFORMANCE™

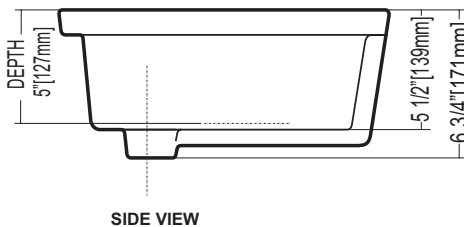
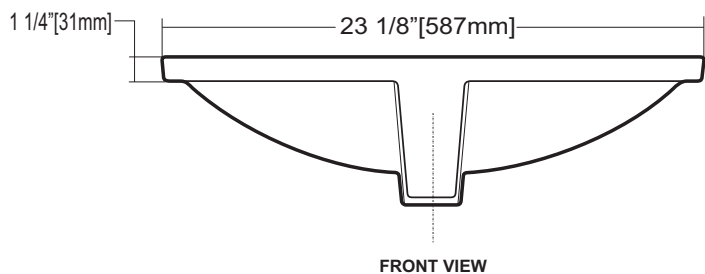
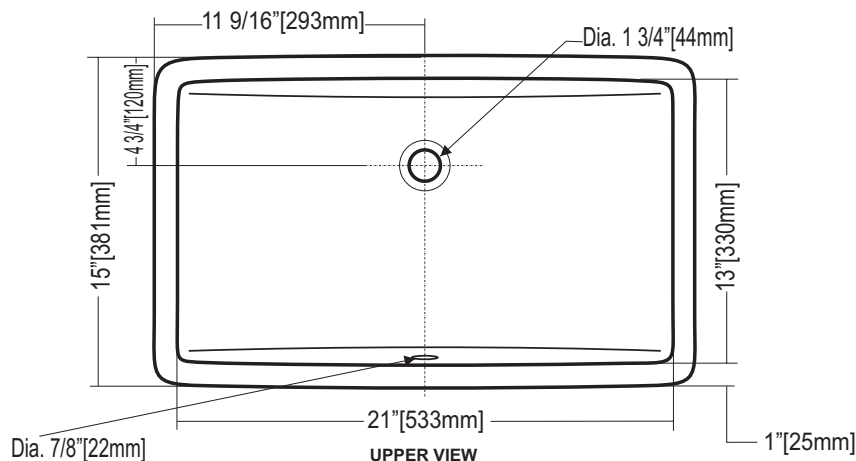
Vortens®  


# TOSCANA

Model 3370

## DIMENSIONS

**IMPORTANT:** Dimensions of fixtures are nominal and may vary within the range of tolerance established by the standards ASME A112.19.2 / CSA B45.1. These measurements are subject to change or cancellation. No responsibility is assumed for use of superseded or voided pages.



## SPECIFICATIONS

3370-V	Basin	20 Lbs.
Dimensions	24-1/8" x 15-3/8" Rectangular	

A.D.A. Lavatory Installation Requirements: Lavatories shall be mounted with rim/ counter surface no higher than 34 inches (86.4 cm) above finished floor. Provide a clearance range of 27 - 29 inches (68.6 - 73.7 cm) from the floor to the lavatory bottom or lavatory apron depending upon the type installed. For complete details on installation requirements, see A.D.A. Installation Handbook.

## COLORS

02: White

Other: Refer to price book for additional colors/finishes

Color number is indicated between part number and letter suffix (i.e. 3464-02-V)



**U.S. CUSTOMER SERVICE**  
Toll Free: 866-821-2811  
customerservice@vortens.com  
ussales@vortens.com  
www.vortens.com

**CANADIAN CUSTOMER SERVICE**  
Toll Free: 866-363-1365  
canadiansales@vortens.com  
www.vortens.com

