

# GENOVA

Model 3556-3519



## FEATURES

Hidden Front Overflow

Contemporary-Style Lavatory

Part of the Genova Suite

5-Year Warranty on Vitreous China

V-Gloss™ High-Gloss Vitreous China –  
Durable, Nonporous

## SPECIFICATIONS

|            |                   |         |
|------------|-------------------|---------|
| 3556-V     | 4" Basin          | 44 Lbs. |
| 3557-V     | 8" Basin          | 44 Lbs. |
| 3558-V     | Single Hole Basin | 44 Lbs. |
| 3519-V     | Pedestal          | 21 Lbs. |
| Dimensions | 28" x 19" x 34"   |         |

Meets ASME A112.19.2 / CSA B45.1  
Faucet Not Included

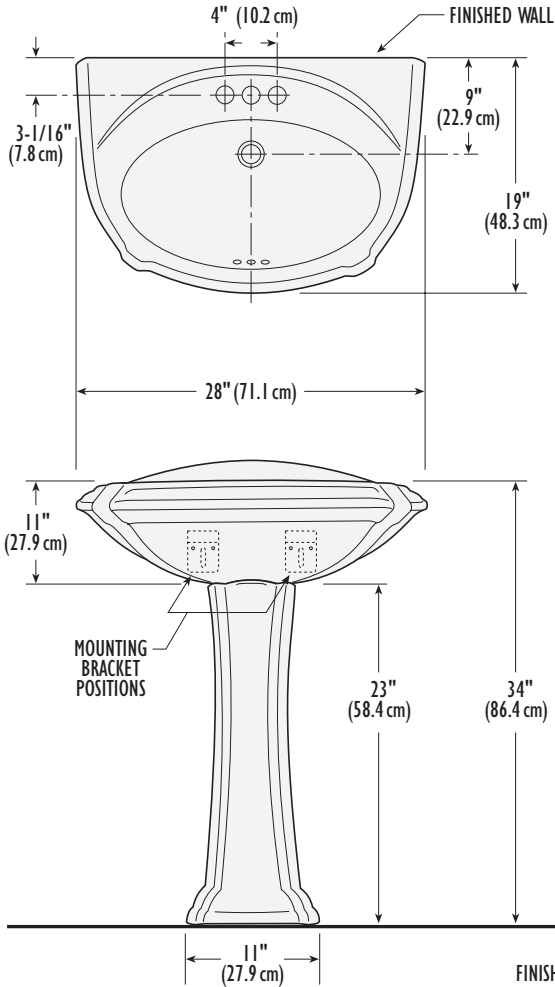
THE PROVEN LEADER  
IN FLUSHING PERFORMANCE™



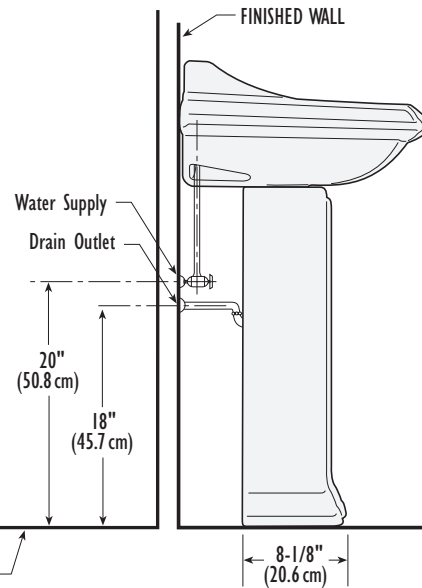
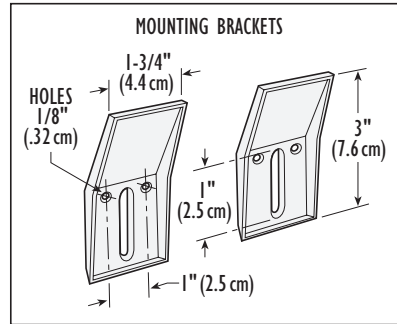
# GENOVA

Model 3556-3519

## DIMENSIONS



**IMPORTANT:** Dimensions of fixtures are nominal and may vary within the range of tolerance established by the standards ASME A112.19.2 / CSA B45.1. These measurements are subject to change or cancellation. No responsibility is assumed for use of superseded or voided pages.



## SPECIFICATIONS

|            |                   |         |
|------------|-------------------|---------|
| 3556-V     | 4" Basin          | 44 Lbs. |
| 3557-V     | 8" Basin          | 44 Lbs. |
| 3558-V     | Single Hole Basin | 44 Lbs. |
| 3519-V     | Pedestal          | 21 Lbs. |
| Dimensions | 28" x 19" x 34"   |         |

## COLORS

02: White

Other: Refer to price book for additional colors/finishes

Color number is indicated between part number and letter suffix (i.e. 3464-02-V)



**U.S. CUSTOMER SERVICE**  
Toll Free: 866-821-2811  
customerservice@vortens.com  
ussales@vortens.com  
www.vortens.com

**CANADIAN CUSTOMER SERVICE**  
Toll Free: 866-363-1365  
canadiansales@vortens.com  
www.vortens.com

