

KYOTO KAI ADA

Model 3631



FEATURES

Efficient 1.0 gpf/3.8 lpf

Integral Trap

Equipped with – 3/4" Brass Top Spud
& 2" Bottom Spud

A.D.A. Compliant

5-Year Warranty on Vitreous China

V-Gloss™ High-Gloss Vitreous China –
Durable, Nonporous

SPECIFICATIONS

3631-V Urinal 51 Lbs.



Meets ASME A112.19.2 / CSA B45.1
Flush Valve Not Included

THE PROVEN LEADER
IN FLUSHING PERFORMANCE™

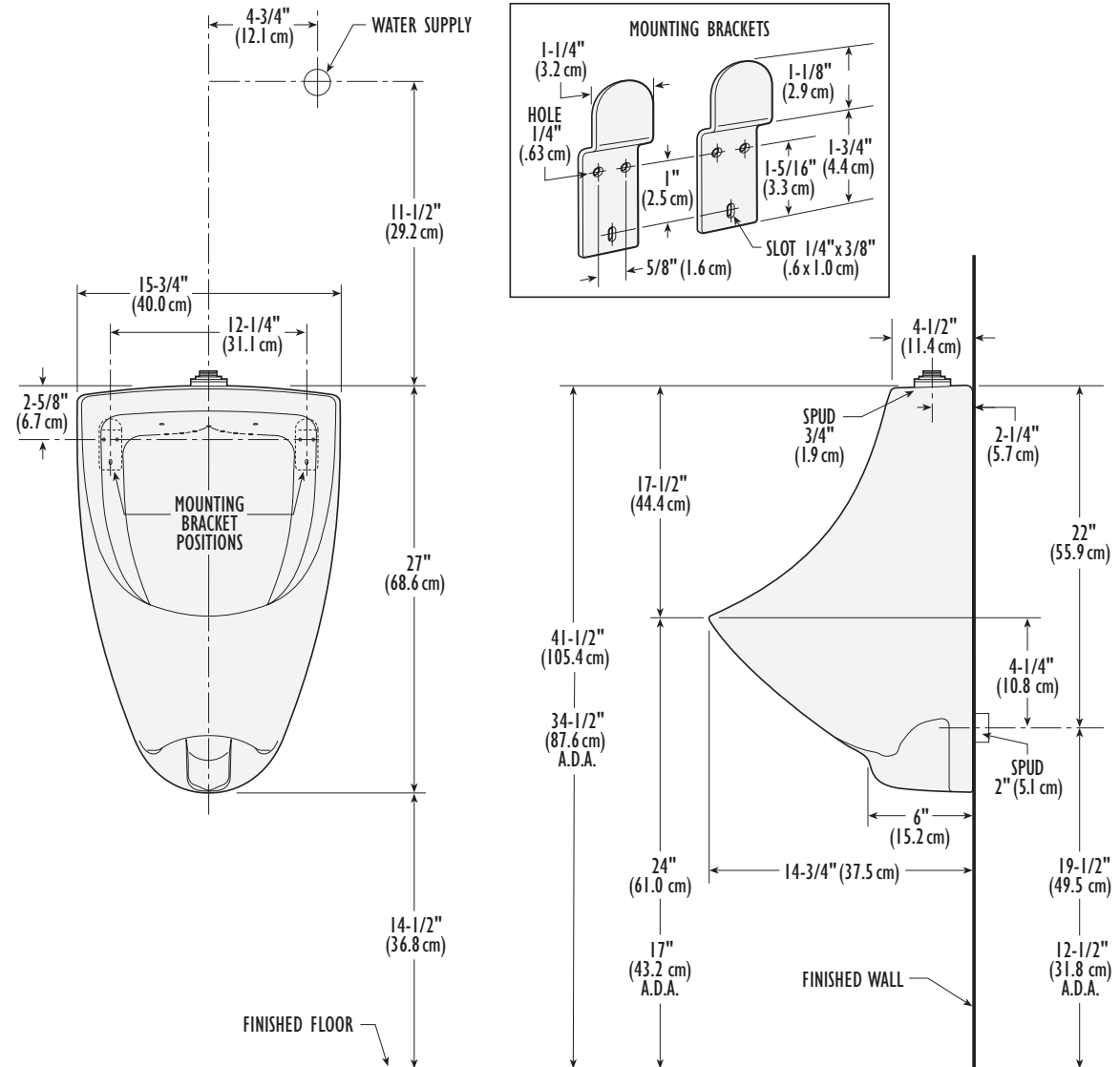


KYOTO KAI ADA

Model 3631

DIMENSIONS

IMPORTANT: Dimensions of fixtures are nominal and may vary within the range of tolerance established by the standards ASME A112.19.2 / CSA B45.1. These measurements are subject to change or cancellation. No responsibility is assumed for use of superseded or voided pages.



SPECIFICATIONS

3631-V Urinal

51 Lbs.

COLORS

02: White

Other: Refer to price book for additional colors/finishes

Color number is indicated between part number and letter suffix (i.e. 3464-02-V)



U.S. CUSTOMER SERVICE
 Toll Free: 866-821-2811
 customerservice@vortens.com
 ussales@vortens.com
 www.vortens.com

CANADIAN CUSTOMER SERVICE
 Toll Free: 866-363-1365
 canadiansales@vortens.com
 www.vortens.com

