

VIENNA RF

Model 3208-3464



FEATURES

2-1/8" Fully Glazed Trapway –
Passes a 2" Ball

Powerful & Efficient 1.6 gpf/6.0 lpf

Flushes 600 grams of solids per
MaP test

8" x 7" Water Surface

5-Year Warranty on Vitreous China

1-Year Warranty on Component
and/or Accessory Parts

V-Gloss™ High-Gloss Vitreous China –
Durable, Nonporous

Bowl Shape Compatible with Bemis®
70, 500 & 600 Toilet Seats

SPECIFICATIONS

3208-V	Round Front Bowl	41 Lbs.
--------	------------------	---------

3464-V	12" Rough-In Tank	34 Lbs.
--------	-------------------	---------

See other side for additional options.

Meets ASME A112.19.2 / CSA B45.1
Seat Not Included

THE PROVEN LEADER
IN FLUSHING PERFORMANCE™

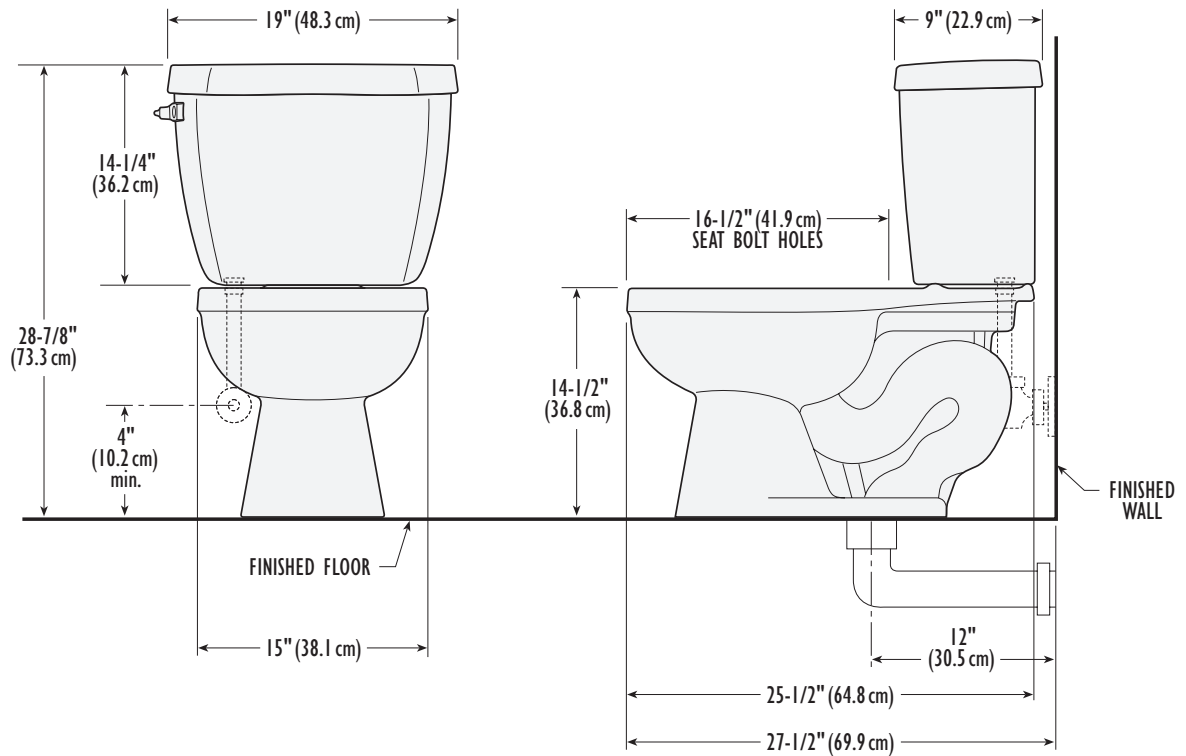


VIENNA RF

Model 3208-3464

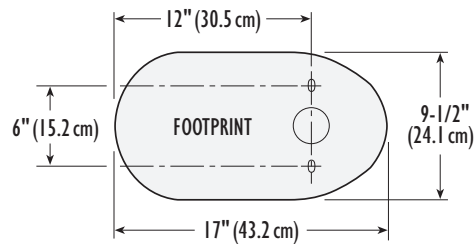
DIMENSIONS

IMPORTANT: Dimensions of fixtures are nominal and may vary within the range of tolerance established by the standards ASME A112.19.2 / CSA B45.1. These measurements are subject to change or cancellation. No responsibility is assumed for use of superseded or voided pages.



SPECIFICATIONS

3208-V	Round Front Bowl	41 Lbs.
3209-V	Round Front Large Footprint Bowl	43 Lbs.
3464-V	12" Rough-In Tank	34 Lbs.
3465-V	10" Rough-In Tank	30 Lbs.
3466-V	14" Rough-In Tank	38 Lbs.
3467-V	12" Right-Hand Flush	34 Lbs.
3464-R	12" Rough-In Tank with Pilot Valve	34 Lbs.
3464-VS	12" Rough-In Tank SPS Compliant	34 lbs.
3464-L	12" Rough-In Insulated Tank (White LH Flush)	35 lbs.
3464-S	12" Rough-In Insulated Tank w/ Pilot Valve	35 lbs.
3464-LS	12" Rough-In Insulated Tank SPS Compliant	35 lbs.



COLORS

02: White

Other: Refer to price book for additional colors/finishes

Color number is indicated between part number and letter suffix (i.e. 3464-02-V)



U.S. CUSTOMER SERVICE
Toll Free: 866-821-2811
customerservice@vortens.com
ussales@vortens.com
www.vortens.com

CANADIAN CUSTOMER SERVICE
Toll Free: 866-363-1365
canadiansales@vortens.com
www.vortens.com

