

*Vortens*<sup>®</sup>

ALL PERFORMANCE.  
NO PROBLEMS.



THE PROVEN LEADER  
IN FLUSHING PERFORMANCE<sup>™</sup>

**Vortens**<sup>®</sup>

ALL PERFORMANCE.  
NO PROBLEMS.



HIGH-EFFICIENCY  
TOILETS

THE PROVEN LEADER  
IN FLUSHING PERFORMANCE<sup>™</sup>

# MURANO ADA HET

Model 3140-3425



## FEATURES

2-1/8" Fully Glazed Trapway – Passes a 2" Ball

High-Efficiency Toilet (HET) with Powerful 1.28 gpf/4.8 lpf Flush

Powered by the 3" HydroSurge™ Flushing System

Flushes 600 grams of solids\*

8" x 7" Water Surface

Extra-Large Footprint

Ideal Height™ A.D.A. Compliant – 17" High

5-Year Warranty on Vitreous China

3-Year Warranty on Component and/or Accessory Parts

V-Gloss™ High-Gloss Vitreous China – Durable, Nonporous

Bowl Shape Compatible with Bemis® 1500 Toilet Seat

## SPECIFICATIONS

3140-V	Elongated Bowl	59 Lbs.
3425-V	12" Rough-In Tank	30 Lbs.

See other side for additional options.



Meets ASME A112.19.2 / CSA B45.1  
Seat Not Included

\*per MaP test

THE PROVEN LEADER  
IN FLUSHING PERFORMANCE™

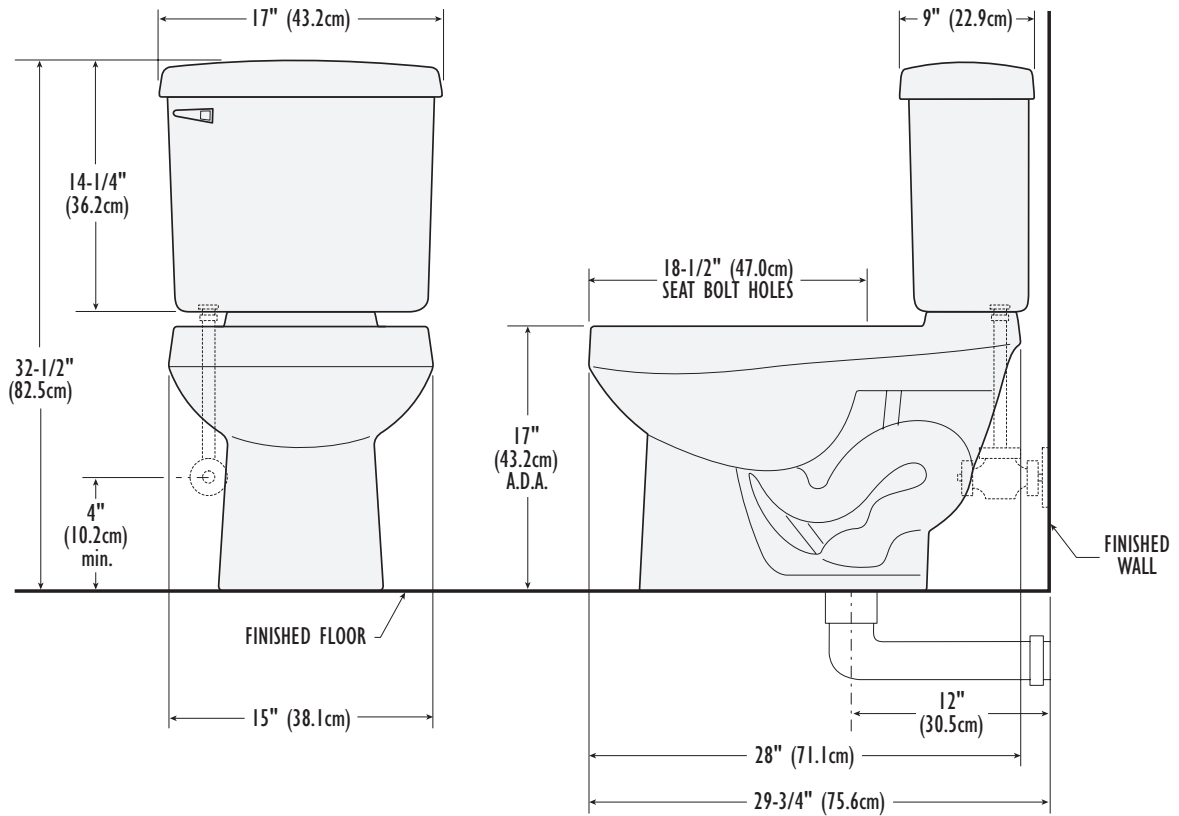


# MURANO ADA HET

Model 3140-3425

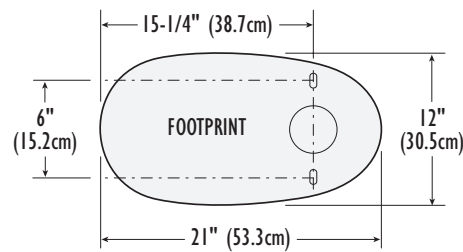
## DIMENSIONS

**IMPORTANT:** Dimensions of fixtures are nominal and may vary within the range of tolerance established by the standards ASME A112.19.2 / CSA B45.1. These measurements are subject to change or cancellation. No responsibility is assumed for use of superseded or voided pages.



## SPECIFICATIONS

3140-V	Elongated Bowl	59 Lbs.
3425-V	12" Rough-In Tank	30 Lbs.
3434-V	10" Rough-In Tank	29 Lbs.
3435-V	14" Rough-In Tank	34 Lbs.
3439-V	12" Right Hand Flush	30 Lbs.



## COLORS

02: White

Other: Refer to price book for additional colors/finishes

Color number is indicated between part number and letter suffix (i.e. 3464-02-V)



**U.S. CUSTOMER SERVICE**  
 Toll Free: 866-821-2811  
[customerservice@vortens.com](mailto:customerservice@vortens.com)  
[ussales@vortens.com](mailto:ussales@vortens.com)  
[www.vortens.com](http://www.vortens.com)

**CANADIAN CUSTOMER SERVICE**  
 Toll Free: 866-363-1365  
[canadiansales@vortens.com](mailto:canadiansales@vortens.com)  
[www.vortens.com](http://www.vortens.com)



# MURANO EL HET

Model 3147-3425



**HYDRO SURGE™**  
FLUSHING SYSTEM

## FEATURES

2-1/8" Fully Glazed Trapway –  
Passes a 2" Ball

High-Efficiency Toilet (HET) with  
Powerful 1.28 gpf/4.8 lpf Flush

Powered by the 3" HydroSurge™  
Flushing System

Flushes 500 grams of solids\*

8" x 7" Water Surface

5-Year Warranty on Vitreous China

3-Year Warranty on Component  
and/or Accessory Parts

V-Gloss™ High-Gloss Vitreous China –  
Durable, Nonporous

Bowl Shape Compatible with Bemis®  
1500 Toilet Seat

## SPECIFICATIONS

3147-V	Elongated Bowl	48 Lbs.
3425-V	12" Rough-In Tank	30 Lbs.



Meets ASME A112.19.2 / CSA B45.1  
Seat Not Included

\*per MaP test

THE PROVEN LEADER  
IN FLUSHING PERFORMANCE™

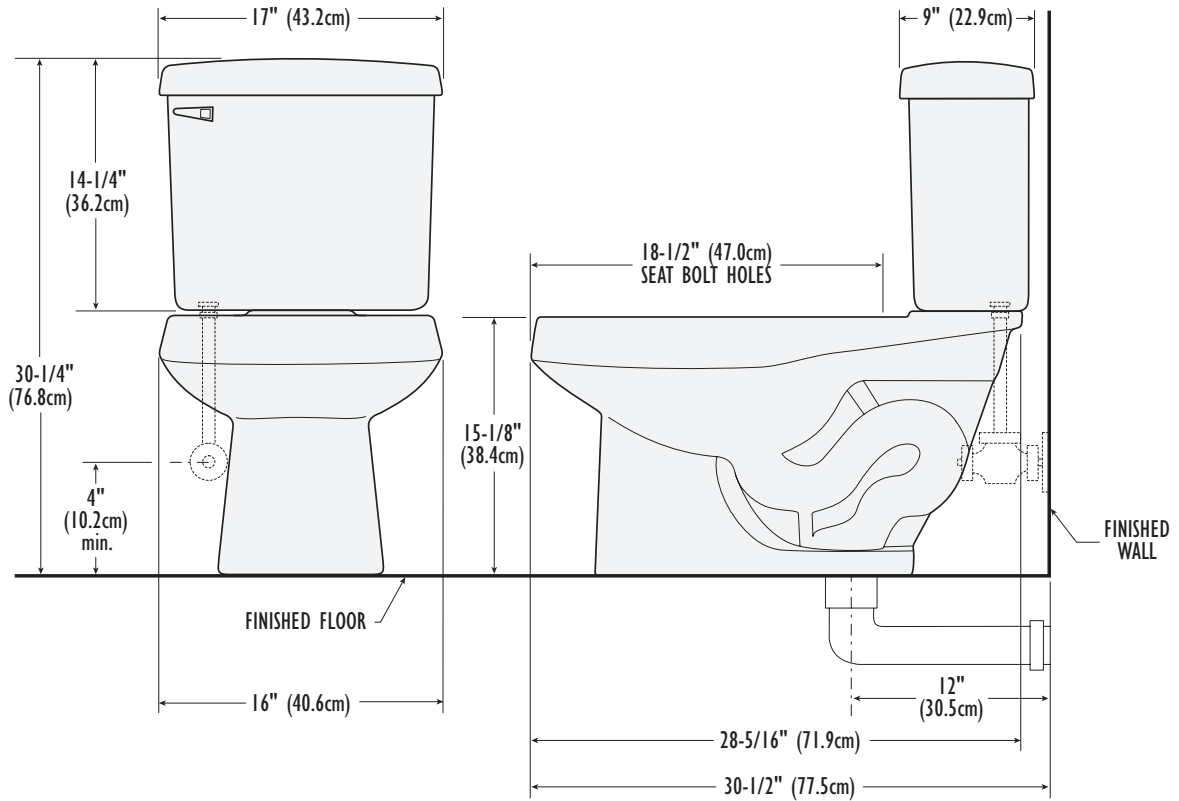
**Vortens®**

# MURANO EL HET

Model 3147-3425

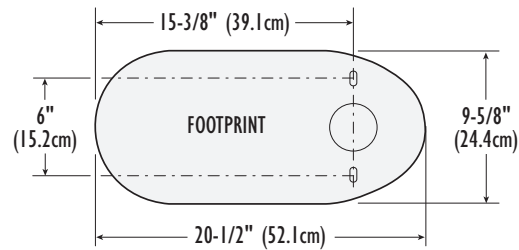
## DIMENSIONS

**IMPORTANT:** Dimensions of fixtures are nominal and may vary within the range of tolerance established by the standards ASME A112.19.2 / CSA B45.1. These measurements are subject to change or cancellation. No responsibility is assumed for use of superseded or voided pages.



## SPECIFICATIONS

3147-V	Elongated Bowl	48 Lbs.
3425-V	12" Rough-In Tank	30 Lbs.
3434-V	10" Rough-In Tank	29 Lbs.
3435-V	14" Rough-In Tank	34 Lbs.
3439-V	12" Right Hand Flush	30 Lbs.



## COLORS

02: White

Other: Refer to price book for additional colors/finishes

Color number is indicated between part number and letter suffix (i.e. 3464-02-V)



### U.S. CUSTOMER SERVICE

Toll Free: 866-821-2811  
customerservice@vortens.com  
ussales@vortens.com  
www.vortens.com

### CANADIAN CUSTOMER SERVICE

Toll Free: 866-363-1365  
canadiansales@vortens.com  
www.vortens.com



# MURANO RF HET

Model 3219-3425



## FEATURES

2-1/8" Fully Glazed Trapway –  
Passes a 2" Ball

High-Efficiency Toilet (HET) with  
Powerful 1.28 gpf/4.8 lpf Flush

Powered by the 3" HydroSurge™  
Flushing System

Flushes 500 grams of solids\*

8" x 7" Water Surface

5-Year Warranty on Vitreous China

3-Year Warranty on Component  
and/or Accessory Parts

V-Gloss™ High-Gloss Vitreous China –  
Durable, Nonporous

Bowl Shape Compatible with Bemis®  
500 Toilet Seat

## SPECIFICATIONS

3219-V	Round Front Bowl	46 Lbs.
3425-V	12" Rough-In Tank	30 Lbs.



Meets ASME A112.19.2 / CSA B45.1  
Seat Not Included

\*per MaP test

THE PROVEN LEADER  
IN FLUSHING PERFORMANCE™



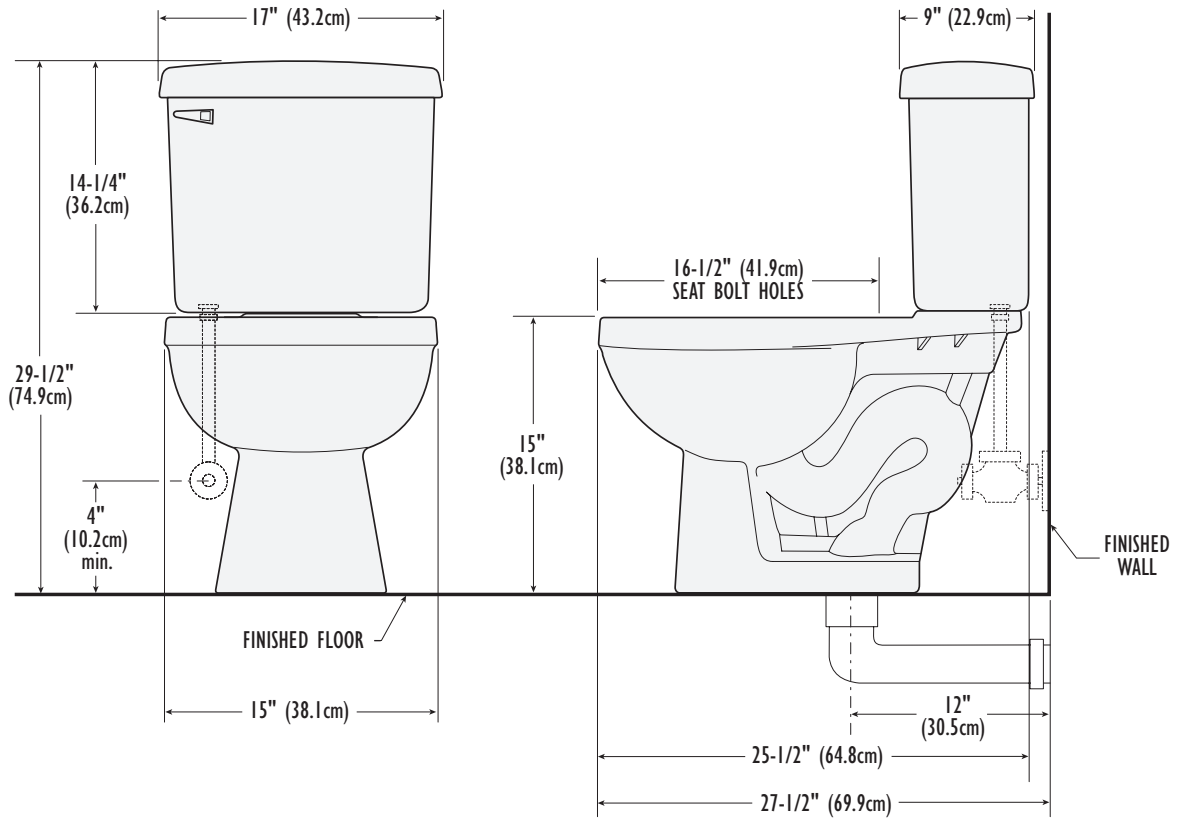


# MURANO RF HET

Model 3219-3425

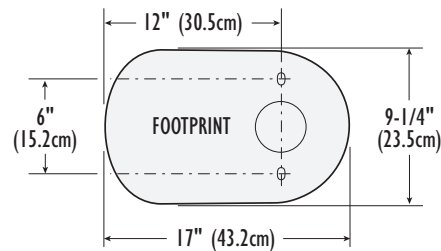
## DIMENSIONS

**IMPORTANT:** Dimensions of fixtures are nominal and may vary within the range of tolerance established by the standards ASME A112.19.2 / CSA B45.1. These measurements are subject to change or cancellation. No responsibility is assumed for use of superseded or voided pages.



## SPECIFICATIONS

3219-V	Round Front Bowl	46 Lbs.
3425-V	12" Rough-In Tank	30 Lbs.
3434-V	10" Rough-In Tank	29 Lbs.
3435-V	14" Rough-In Tank	34 Lbs.
3439-V	12" Right Hand Flush	30 Lbs.



## COLORS

02: White

Other: Refer to price book for additional colors/finishes

Color number is indicated between part number and letter suffix (i.e. 3464-02-V)



**U.S. CUSTOMER SERVICE**  
Toll Free: 866-821-2811  
customerservice@vortens.com  
ussales@vortens.com  
www.vortens.com

**CANADIAN CUSTOMER SERVICE**  
Toll Free: 866-363-1365  
canadiansales@vortens.com  
www.vortens.com





# HURRICANE ADA HET

Model 3140-3473



**HYDRO SURGE™**  
FLUSHING SYSTEM

## FEATURES

2-1/8" Fully Glazed Trapway –  
Passes a 2" Ball

High-Efficiency Toilet (HET) with  
Powerful 1.28 gpf/4.8 lpf Flush

Powered by the 3" HydroSurge™  
Flushing System

Flushes 1,000 grams of solids\*

8" x 7" Water Surface

Extra-Large Footprint

Ideal Height™ A.D.A. Compliant –  
17" High

5-Year Warranty on Vitreous China

3-Year Warranty on Component  
and/or Accessory Parts

V-Gloss™ High-Gloss Vitreous China –  
Durable, Nonporous

Bowl Shape Compatible with Bemis®  
170, 1200, 1500 & 1800 Toilet Seats

## SPECIFICATIONS

3140-V Elongated Bowl 59 Lbs.

3473-V 12" Rough-In Tank 33 Lbs.



Meets ASME A112.19.2 / CSA B45.1  
Seat Not Included

\*per MaP test

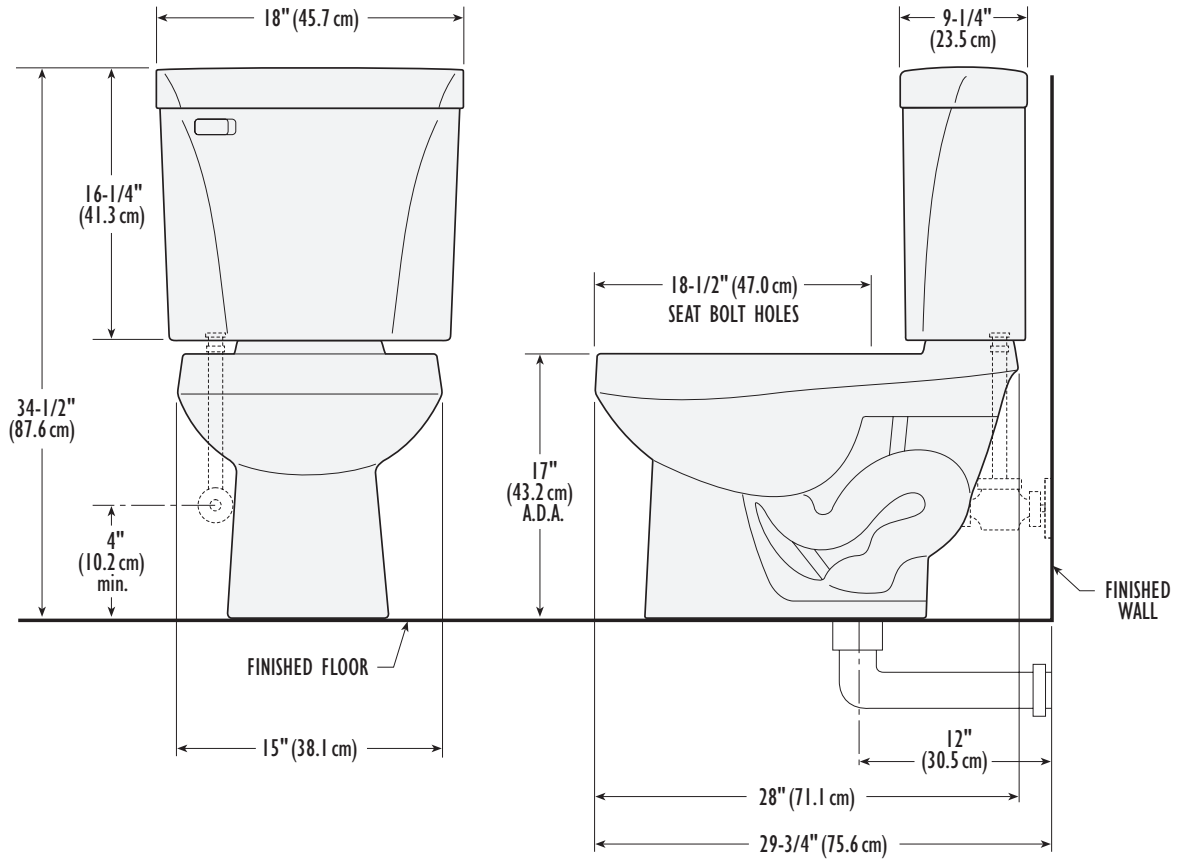
THE PROVEN LEADER  
IN FLUSHING PERFORMANCE™

**Vortens®**

# HURRICANE ADA HET

Model 3140-3473

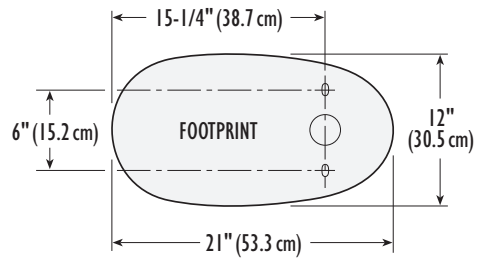
## DIMENSIONS



**IMPORTANT:** Dimensions of fixtures are nominal and may vary within the range of tolerance established by the standards ASME A112.19.2 / CSA B45.1. These measurements are subject to change or cancellation. No responsibility is assumed for use of superseded or voided pages.

## SPECIFICATIONS

3140-V	Elongated Bowl	59 Lbs.
3473-V	12" Rough-In Tank	33 Lbs.



## COLORS

02: White

Other: Refer to price book for additional colors/finishes

Color number is indicated between part number and letter suffix (i.e. 3464-02-V)



**U.S. CUSTOMER SERVICE**  
Toll Free: 866-821-2811  
customerservice@vortens.com  
ussales@vortens.com  
www.vortens.com

**CANADIAN CUSTOMER SERVICE**  
Toll Free: 866-363-1365  
canadiansales@vortens.com  
www.vortens.com



# HURRICANE EL HET

Model 3137-3473



## FEATURES

2-1/8" Fully Glazed Trapway –  
Passes a 2" Ball

High-Efficiency Toilet (HET) with  
Powerful 1.28 gpf/4.8 lpf Flush

Powered by the 3" HydroSurge™  
Flushing System

Flushes 800 grams of solids\*

8" x 7" Water Surface

Extra-Large Footprint

5-Year Warranty on Vitreous China

3-Year Warranty on Component  
and/or Accessory Parts

V-Gloss™ High-Gloss Vitreous China –  
Durable, Nonporous

Bowl Shape Compatible with Bemis®  
170, 200, 500 & 1800 Toilet Seats

## SPECIFICATIONS

3137-V	Elongated Bowl	57 Lbs.
3473-V	12" Rough-In Tank	33 Lbs.

**HYDRO SURGE™**  
FLUSHING SYSTEM



Meets ASME A112.19.2 / CSA B45.1  
Seat Not Included

\*per MaP test

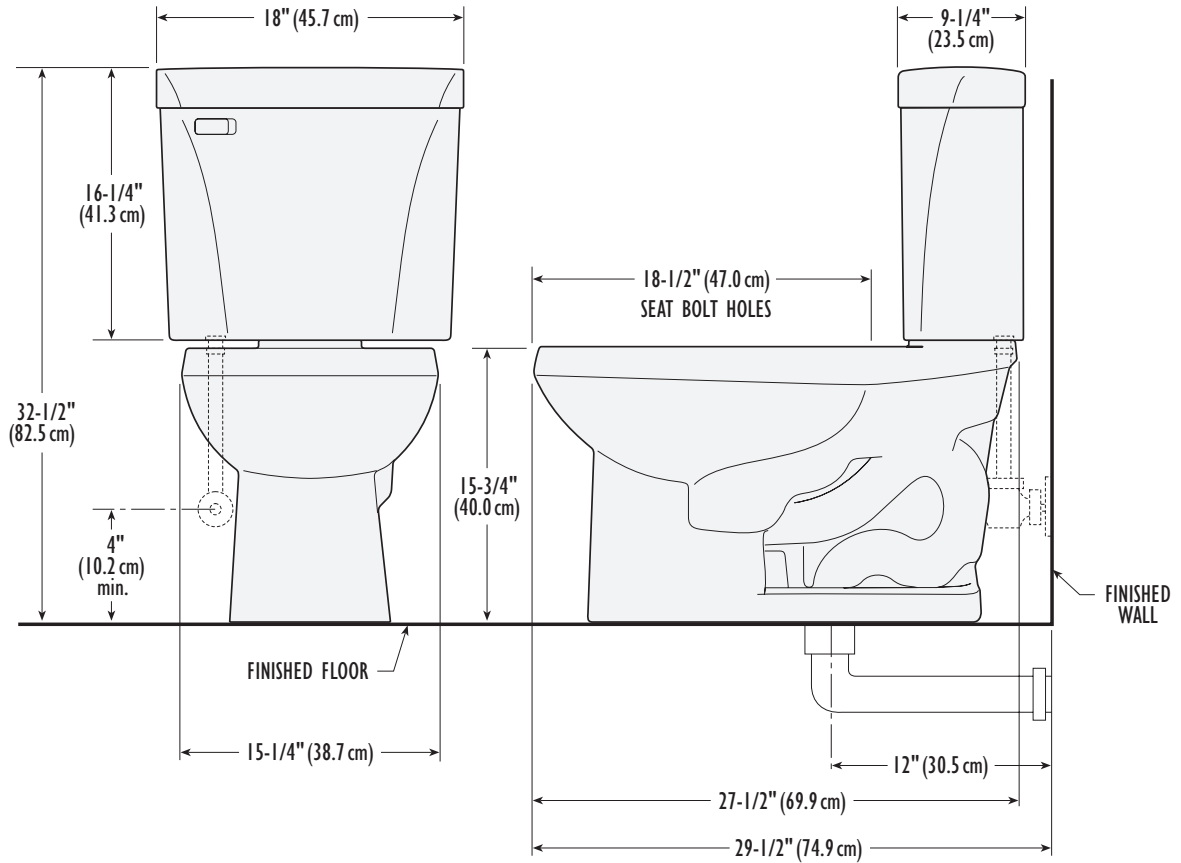
THE PROVEN LEADER  
IN FLUSHING PERFORMANCE™

**Vortens®**

# HURRICANE EL HET

Model 3137-3473

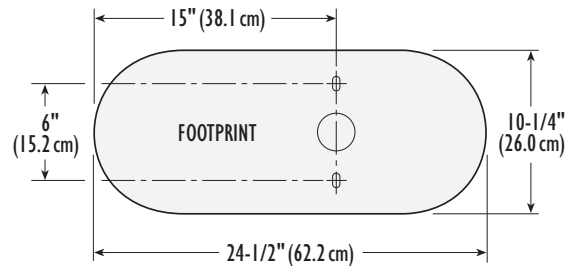
## DIMENSIONS



**IMPORTANT:** Dimensions of fixtures are nominal and may vary within the range of tolerance established by the standards ASME A112.19.2 / CSA B45.1. These measurements are subject to change or cancellation. No responsibility is assumed for use of superseded or voided pages.

## SPECIFICATIONS

3137-V	Elongated Bowl	57 Lbs.
3473-V	12" Rough-In Tank	33 Lbs.



## COLORS

02: White

Other: Refer to price book for additional colors/finishes

Color number is indicated between part number and letter suffix (i.e. 3464-02-V)



**U.S. CUSTOMER SERVICE**  
Toll Free: 866-821-2811  
customerservice@vortens.com  
ussales@vortens.com  
www.vortens.com

**CANADIAN CUSTOMER SERVICE**  
Toll Free: 866-363-1365  
canadiansales@vortens.com  
www.vortens.com



# HURRICANE RF HET

Model 3213-3473



## FEATURES

2-1/8" Fully Glazed Trapway – Passes a 2" Ball

High-Efficiency Toilet (HET) with Powerful 1.28 gpf/4.8 lpf Flush

Powered by the 3" HydroSurge™ Flushing System

Flushes 600 grams of solids\*

8" x 7" Water Surface

Extra-Large Footprint

5-Year Warranty on Vitreous China

3-Year Warranty on Component and/or Accessory Parts

V-Gloss™ High-Gloss Vitreous China – Durable, Nonporous

Bowl Shape Compatible with Bemis® 70, 500 & 600 Toilet Seats

## SPECIFICATIONS

3213-V	Round Front Bowl	55 Lbs.
3473-V	12" Rough-In Tank	33 Lbs.

**HYDRO SURGE™**  
FLUSHING SYSTEM



Meets ASME A112.19.2 / CSA B45.1  
Seat Not Included

\*per MaP test

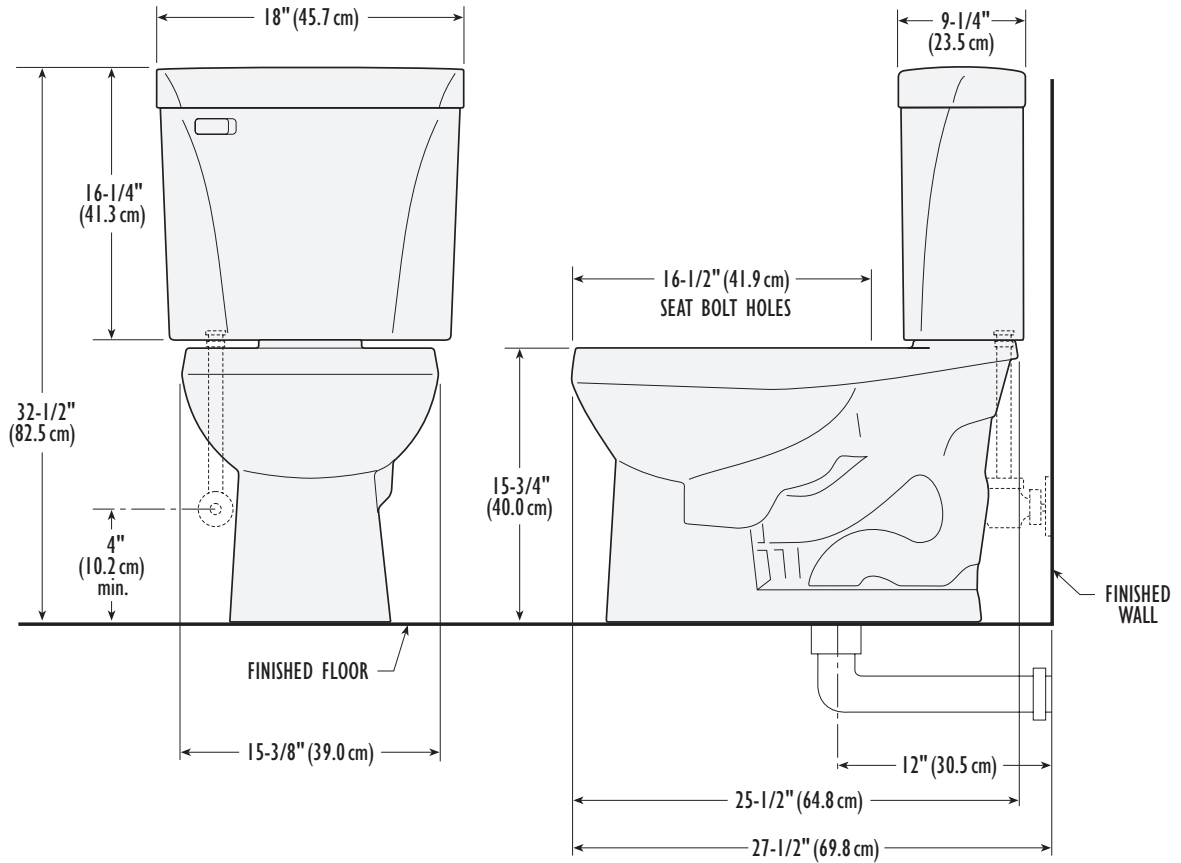
THE PROVEN LEADER  
IN FLUSHING PERFORMANCE™

**Vortens®**

# HURRICANE RF HET

Model 3213-3473

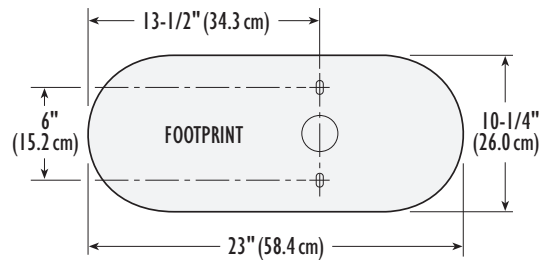
## DIMENSIONS



**IMPORTANT:** Dimensions of fixtures are nominal and may vary within the range of tolerance established by the standards ASME A112.19.2 / CSA B45.1. These measurements are subject to change or cancellation. No responsibility is assumed for use of superseded or voided pages.

## SPECIFICATIONS

3213-V	Round Front Bowl	55 Lbs.
3473-V	12" Rough-In Tank	33 Lbs.



## COLORS

02: White

Other: Refer to price book for additional colors/finishes

Color number is indicated between part number and letter suffix (i.e. 3464-02-V)



**U.S. CUSTOMER SERVICE**  
Toll Free: 866-821-2811  
customerservice@vortens.com  
ussales@vortens.com  
www.vortens.com

**CANADIAN CUSTOMER SERVICE**  
Toll Free: 866-363-1365  
canadiansales@vortens.com  
www.vortens.com



# LORETTO ADA HET

Model 3140-3475



**HYDRO SURGE™**  
FLUSHING SYSTEM

## FEATURES

2-1/8" Fully Glazed Trapway – Passes a 2" Ball

High-Efficiency Toilet (HET) with Powerful 1.28 gpf/4.8 lpf Flush

Powered by the 3" HydroSurge™ Flushing System

Flushes 1,000 grams of solids\*

8" x 7" Water Surface

Extra-Large Footprint

Ideal Height™ A.D.A. Compliant – 17" High

5-Year Warranty on Vitreous China

3-Year Warranty on Component and/or Accessory Parts

V-Gloss™ High-Gloss Vitreous China – Durable, Nonporous

Bowl Shape Compatible with Bemis® 170, 1200, 1500 & 1800 Toilet Seats

## SPECIFICATIONS

3140-V	Elongated Bowl	59 Lbs.
3475-V	12" Rough-In Tank	30 Lbs.
3477-V	12" Right-Hand Flush	30 Lbs.



Meets ASME A112.19.2 / CSA B45.1  
Seat Not Included

\*per MaP test

THE PROVEN LEADER  
IN FLUSHING PERFORMANCE™

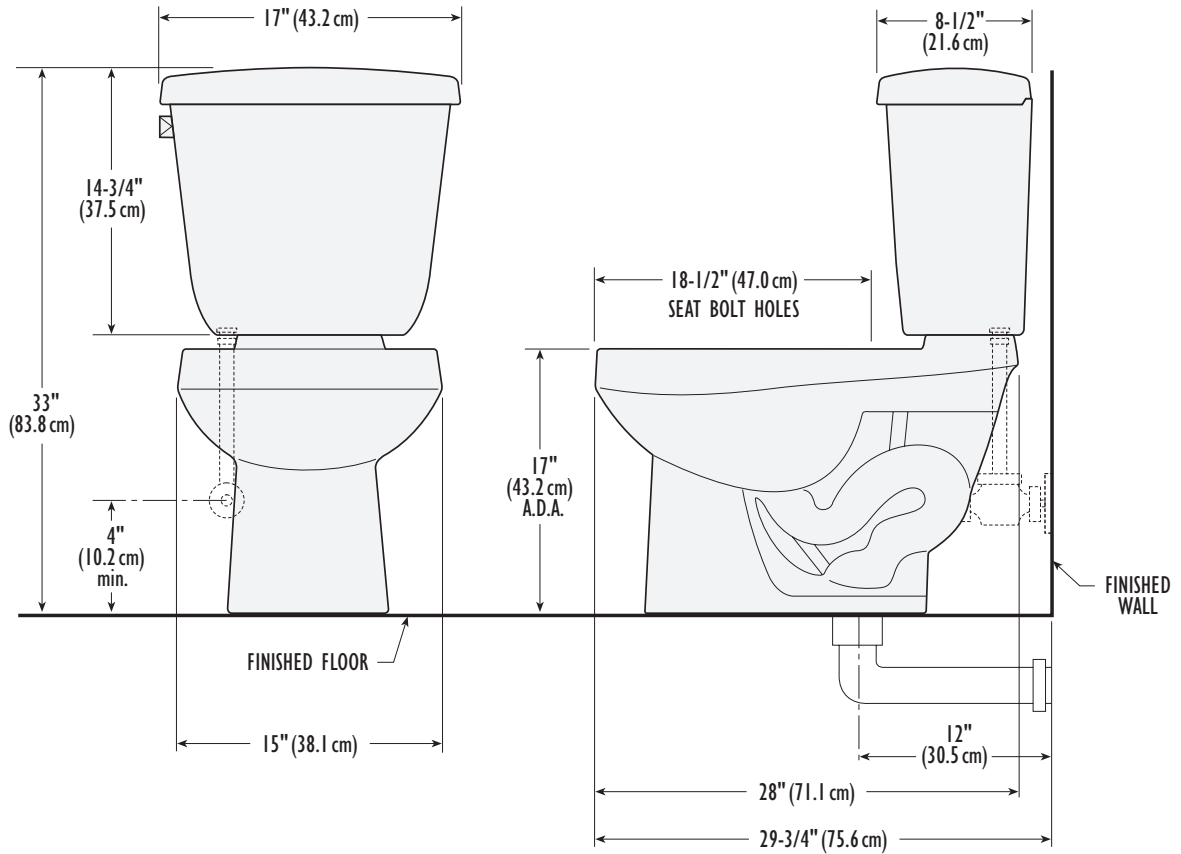
Vortens®



# LORETTO ADA HET

Model 3140-3475

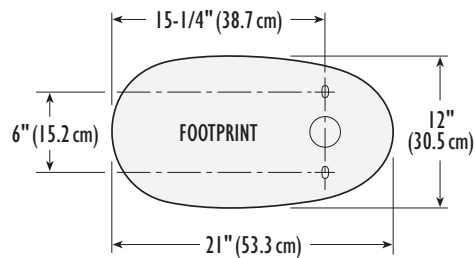
## DIMENSIONS



**IMPORTANT:** Dimensions of fixtures are nominal and may vary within the range of tolerance established by the standards ASME A112.19.2 / CSA B45.1. These measurements are subject to change or cancellation. No responsibility is assumed for use of superseded or voided pages.

## SPECIFICATIONS

3140-V	Elongated Bowl	59 Lbs.
3475-V	12" Rough-In Tank	30 Lbs.
3477-V	12" Right-Hand Flush	30 Lbs.



## COLORS

02: White

Other: Refer to price book for additional colors/finishes

Color number is indicated between part number and letter suffix (i.e. 3464-02-V)



**U.S. CUSTOMER SERVICE**  
Toll Free: 866-821-2811  
customerservice@vortens.com  
ussales@vortens.com  
www.vortens.com

**CANADIAN CUSTOMER SERVICE**  
Toll Free: 866-363-1365  
canadiansales@vortens.com  
www.vortens.com



# LORETTO EL HET

Model 3137-3475



## FEATURES

2-1/8" Fully Glazed Trapway –  
Passes a 2" Ball

High-Efficiency Toilet (HET) with  
Powerful 1.28 gpf/4.8 lpf Flush

Powered by the 3" HydroSurge™  
Flushing System

Flushes 800 grams of solids\*

8" x 7" Water Surface

Extra-Large Footprint

5-Year Warranty on Vitreous China

3-Year Warranty on Component  
and/or Accessory Parts

V-Gloss™ High-Gloss Vitreous China –  
Durable, Nonporous

Bowl Shape Compatible with Bemis®  
170, 200, 500 & 1800 Toilet Seats

## SPECIFICATIONS

3137-V	Elongated Bowl	57 Lbs.
3475-V	12" Rough-In Tank	30 Lbs.
3477-V	12" Right-Hand Flush	30 Lbs.



Meets ASME A112.19.2 / CSA B45.1  
Seat Not Included

\*per MaP test

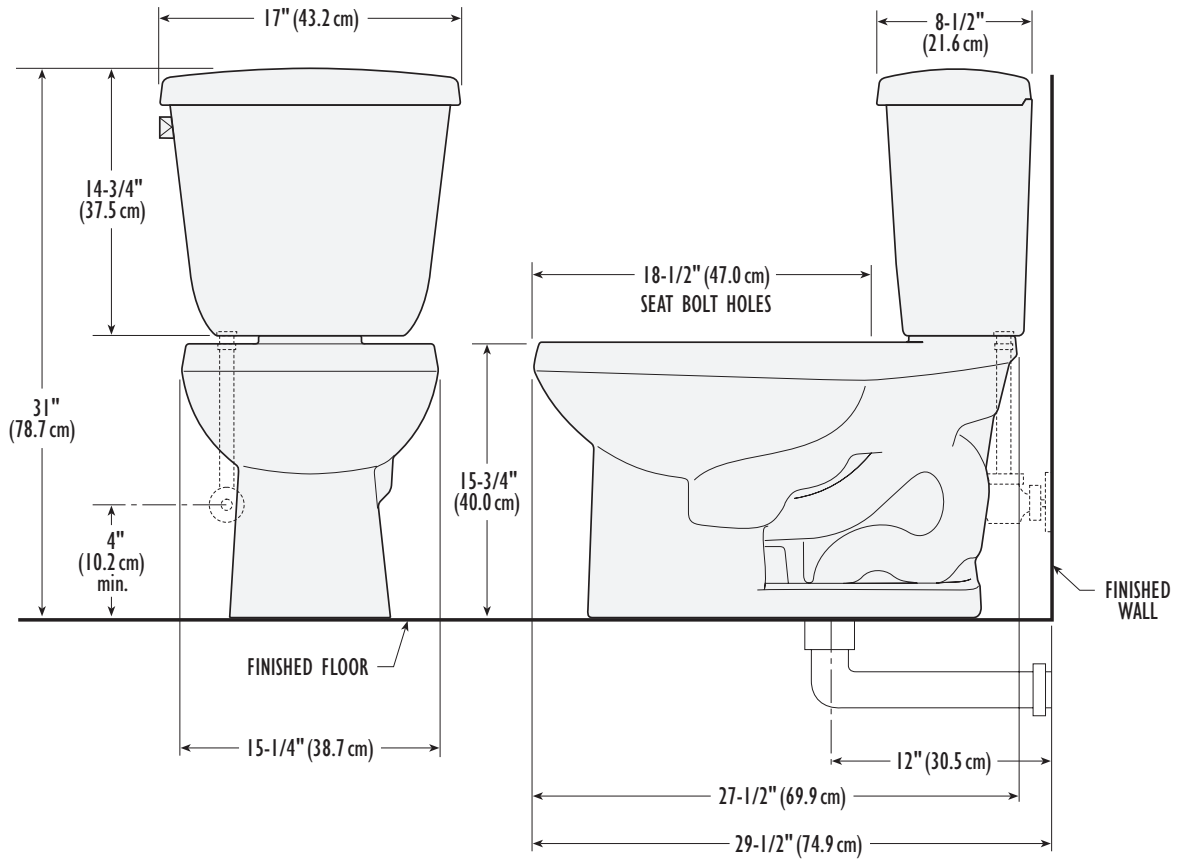
THE PROVEN LEADER  
IN FLUSHING PERFORMANCE™



# LORETTO EL HET

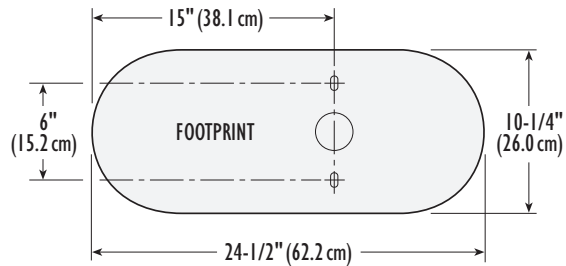
Model 3137-3475

## DIMENSIONS



## SPECIFICATIONS

3137-V	Elongated Bowl	57 Lbs.
3475-V	12" Rough-In Tank	30 Lbs.
3477-V	12" Right-Hand Flush	30 Lbs.



## COLORS

02: White

Other: Refer to price book for additional colors/finishes

Color number is indicated between part number and letter suffix (i.e. 3464-02-V)



**U.S. CUSTOMER SERVICE**  
 Toll Free: 866-821-2811  
 customerservice@vortens.com  
 ussales@vortens.com  
 www.vortens.com

**CANADIAN CUSTOMER SERVICE**  
 Toll Free: 866-363-1365  
 canadiansales@vortens.com  
 www.vortens.com



# LORETTO RF HET

Model 3213-3475



## FEATURES

2-1/8" Fully Glazed Trapway – Passes a 2" Ball

High-Efficiency Toilet (HET) with Powerful 1.28 gpf/4.8 lpf Flush

Powered by the 3" HydroSurge™ Flushing System

Flushes 800 grams of solids\*

8" x 7" Water Surface

Extra-Large Footprint

5-Year Warranty on Vitreous China

3-Year Warranty on Component and/or Accessory Parts

V-Gloss™ High-Gloss Vitreous China – Durable, Nonporous

Bowl Shape Compatible with Bemis® 70, 500 & 600 Toilet Seats

## SPECIFICATIONS

3213-V	Round Front Bowl	55 Lbs.
3475-V	12" Rough-In Tank	30 Lbs.
3477-V	12" Right-Hand Flush	30 Lbs.



Meets ASME A112.19.2 / CSA B45.1  
Seat Not Included

\*per MaP test

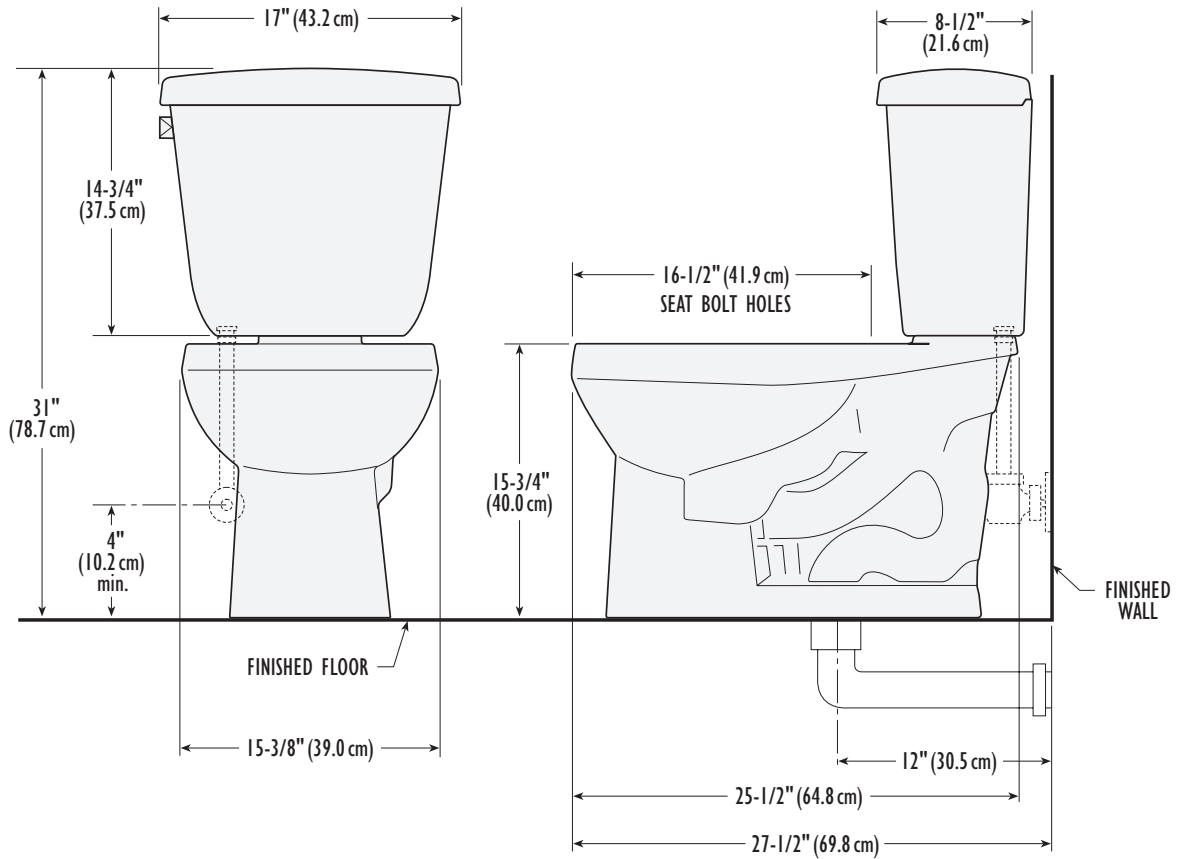
THE PROVEN LEADER  
IN FLUSHING PERFORMANCE™



# LORETTO RF HET

Model 3213-3475

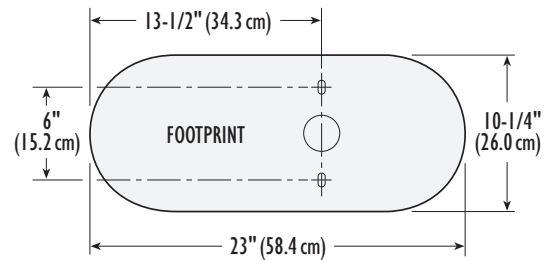
## DIMENSIONS



**IMPORTANT:** Dimensions of fixtures are nominal and may vary within the range of tolerance established by the standards ASME A112.19.2 / CSA B45.1. These measurements are subject to change or cancellation. No responsibility is assumed for use of superseded or voided pages.

## SPECIFICATIONS

3213-V	Round Front Bowl	55 Lbs.
3475-V	12" Rough-In Tank	30 Lbs.
3477-V	12" Right-Hand Flush	30 Lbs.



## COLORS

02: White

Other: Refer to price book for additional colors/finishes

Color number is indicated between part number and letter suffix (i.e. 3464-02-V)



**U.S. CUSTOMER SERVICE**  
Toll Free: 866-821-2811  
customerservice@vortens.com  
ussales@vortens.com  
www.vortens.com

**CANADIAN CUSTOMER SERVICE**  
Toll Free: 866-363-1365  
canadiansales@vortens.com  
www.vortens.com



# SPARTA ADA HET

Model 3142-3479



## FEATURES

2-1/8" Fully Glazed Trapway – Passes a 2" Ball

High-Efficiency Toilet (HET) with Powerful 1.28 gpf/4.8 lpf Flush

Powered by the 2" HydroSurge™ Flushing System

Flushes 800 grams of solids\*

8" x 7" Water Surface

Twin-Fed Siphon Jet Bowl

Extra-Large Footprint

Ideal Height™ A.D.A. Compliant – 16-3/4" High

5-Year Warranty on Vitreous China

3-Year Warranty on Component and/or Accessory Parts

V-Gloss™ High-Gloss Vitreous China – Durable, Nonporous

Bowl Shape Compatible with Bemis® 1500 Toilet Seat

## SPECIFICATIONS

3142-V	Elongated Bowl	56 Lbs.
3479-V	12" Rough-In Tank	29 Lbs.



Meets ASME A112.19.2 / CSA B45.1  
Seat Not Included

\*per MaP test

THE PROVEN LEADER  
IN FLUSHING PERFORMANCE™

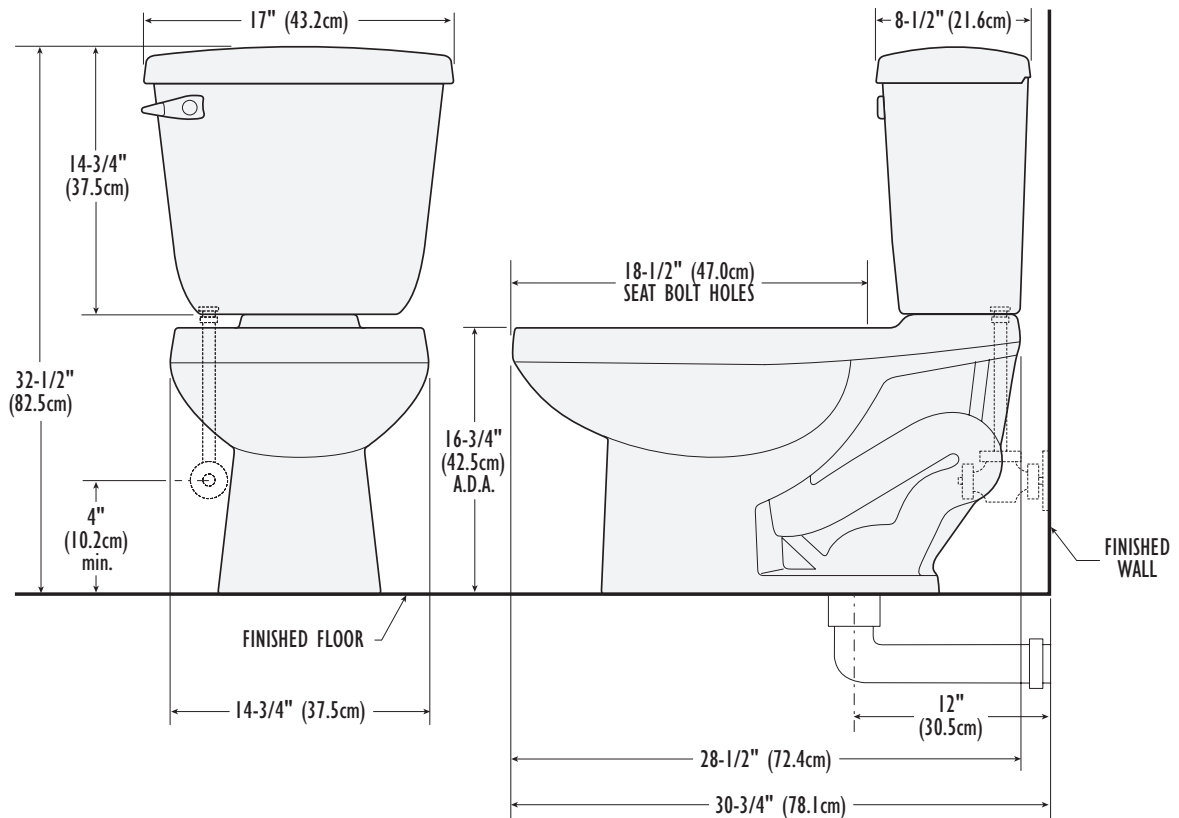


# SPARTA ADA HET

Model 3142-3479

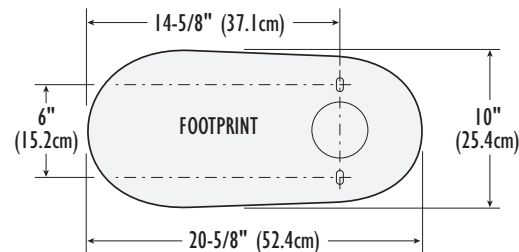
## DIMENSIONS

**IMPORTANT:** Dimensions of fixtures are nominal and may vary within the range of tolerance established by the standards ASME A112.19.2 / CSA B45.1. These measurements are subject to change or cancellation. No responsibility is assumed for use of superseded or voided pages.



## SPECIFICATIONS

3142-V	Elongated Bowl	56 Lbs.
3479-V	12" Rough-In Tank	29 Lbs.
3480-V	10" Rough-In Tank	20 Lbs.
3481-V	14" Rough-In Tank	28 Lbs.
3482-V	12" Right Hand Flush	29 Lbs.



## COLORS

02: White

Other: Refer to price book for additional colors/finishes

Color number is indicated between part number and letter suffix (i.e. 3464-02-V)



**U.S. CUSTOMER SERVICE**  
Toll Free: 866-821-2811  
customerservice@vortens.com  
ussales@vortens.com  
www.vortens.com

**CANADIAN CUSTOMER SERVICE**  
Toll Free: 866-363-1365  
canadiansales@vortens.com  
www.vortens.com





# SPARTA EL HET

Model 3141-3479



## FEATURES

2-1/8" Fully Glazed Trapway –  
Passes a 2" Ball

High-Efficiency Toilet (HET) with  
Powerful 1.28 gpf/4.8 lpf Flush

Powered by the 2" HydroSurge™  
Flushing System

Flushes 800 grams of solids\*

8" x 7" Water Surface

Twin-Fed Siphon Jet Bowl

Extra-Large Footprint

Ideal Height™ 15-3/4" High

5-Year Warranty on Vitreous China

3-Year Warranty on Component  
and/or Accessory Parts

V-Gloss™ High-Gloss Vitreous China –  
Durable, Nonporous

Bowl Shape Compatible with Bemis®  
1500 Toilet Seat

## SPECIFICATIONS

3141-V	Elongated Bowl	50 Lbs.
3479-V	12" Rough-In Tank	29 Lbs.

**HYDRO SURGE™**  
FLUSHING SYSTEM



Meets ASME A112.19.2 / CSA B45.1  
Seat Not Included

\*per MaP test

THE PROVEN LEADER  
IN FLUSHING PERFORMANCE™

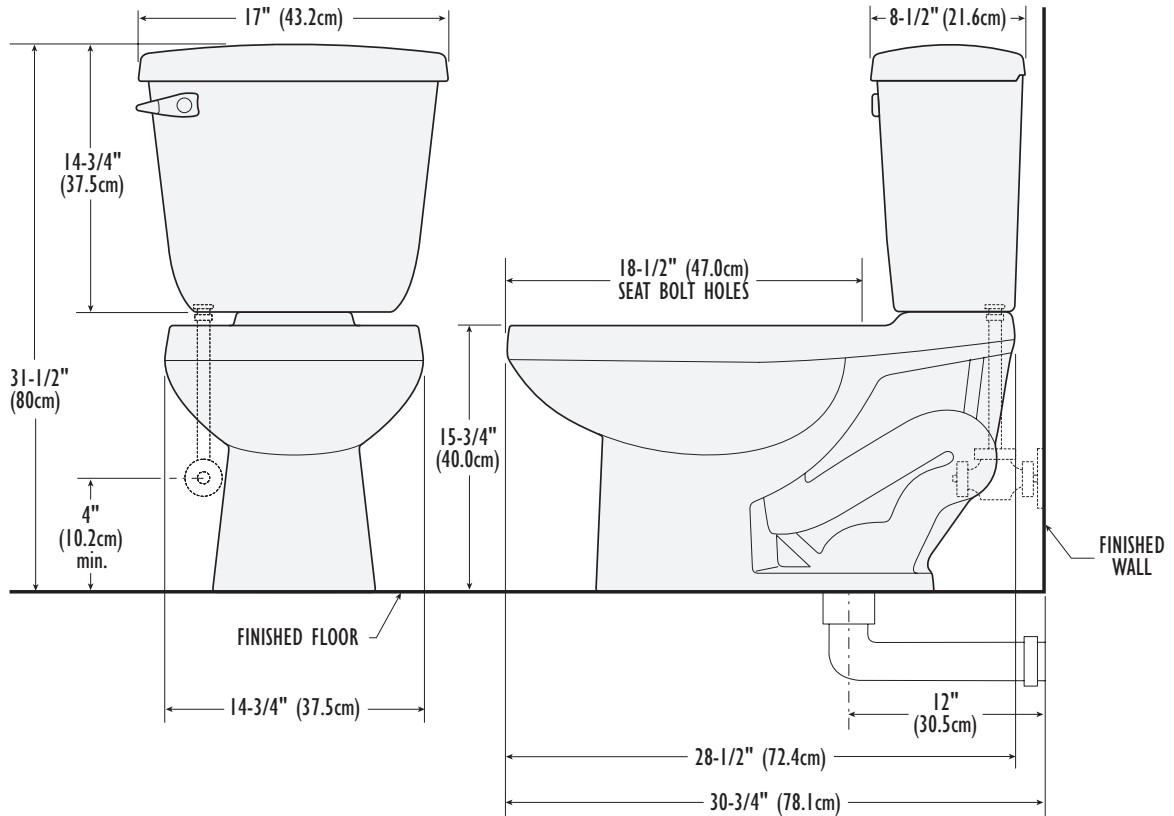
**Vortens®**  
TM

# SPARTA EL HET

Model 3141-3479

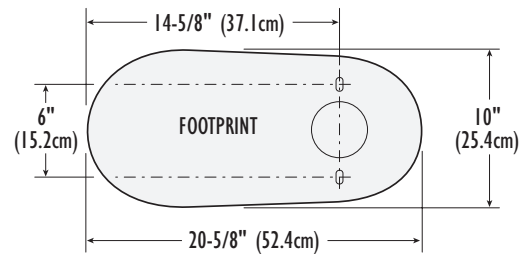
## DIMENSIONS

**IMPORTANT:** Dimensions of fixtures are nominal and may vary within the range of tolerance established by the standards ASME A112.19.2 / CSA B45.1. These measurements are subject to change or cancellation. No responsibility is assumed for use of superseded or voided pages.



## SPECIFICATIONS

3141-V	Elongated Bowl	50 Lbs.
3479-V	12" Rough-In Tank	29 Lbs.
3480-V	10" Rough-In Tank	20 Lbs.
3481-V	14" Rough-In Tank	28 Lbs.
3482-V	12" Right Hand Flush	29 Lbs.



## COLORS

02: White

Other: Refer to price book for additional colors/finishes

Color number is indicated between part number and letter suffix (i.e. 3464-02-V)



**U.S. CUSTOMER SERVICE**  
Toll Free: 866-821-2811  
customerservice@vortens.com  
ussales@vortens.com  
www.vortens.com

**CANADIAN CUSTOMER SERVICE**  
Toll Free: 866-363-1365  
canadiansales@vortens.com  
www.vortens.com



# SPARTA RF HET

Model 3215-3479



## FEATURES

2-1/8" Fully Glazed Trapway –  
Passes a 2" Ball

High-Efficiency Toilet (HET) with  
Powerful 1.28 gpf/4.8 lpf Flush

Powered by the 2" HydroSurge™  
Flushing System

Flushes 800 grams of solids\*

8" x 7" Water Surface

Twin-Fed Siphon Jet Bowl

Extra-Large Footprint

Ideal Height™ 15-1/2" High

5-Year Warranty on Vitreous China

3-Year Warranty on Component  
and/or Accessory Parts

V-Gloss™ High-Gloss Vitreous China –  
Durable, Nonporous

Bowl Shape Compatible with Bemis®  
1500 Toilet Seat

## SPECIFICATIONS

3215-V	Round Front Bowl	49 Lbs.
3479-V	12" Rough-In Tank	29 Lbs.



Meets ASME A112.19.2 / CSA B45.1  
Seat Not Included

\*per MaP test

THE PROVEN LEADER  
IN FLUSHING PERFORMANCE™

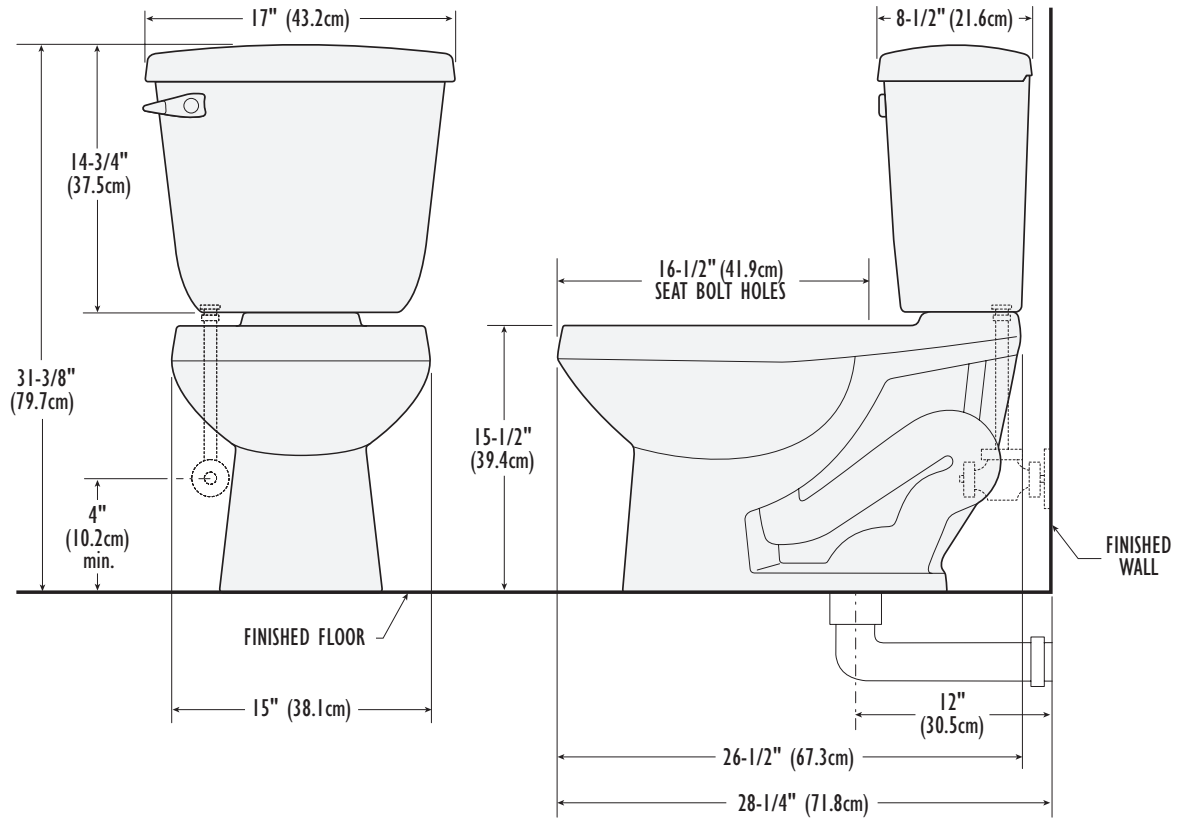


# SPARTA RF HET

Model 3215-3479

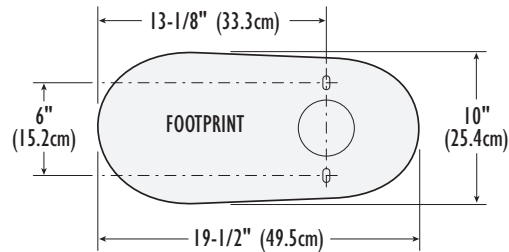
## DIMENSIONS

**IMPORTANT:** Dimensions of fixtures are nominal and may vary within the range of tolerance established by the standards ASME A112.19.2 / CSA B45.1. These measurements are subject to change or cancellation. No responsibility is assumed for use of superseded or voided pages.



## SPECIFICATIONS

3215-V	Round Front Bowl	49 Lbs.
3479-V	12" Rough-In Tank	29 Lbs.
3480-V	10" Rough-In Tank	20 Lbs.
3481-V	14" Rough-In Tank	28 Lbs.
3482-V	12" Right Hand Flush	29 Lbs.



## COLORS

02: White

Other: Refer to price book for additional colors/finishes

Color number is indicated between part number and letter suffix (i.e. 3464-02-V)



**U.S. CUSTOMER SERVICE**  
Toll Free: 866-821-2811  
customerservice@vortens.com  
ussales@vortens.com  
www.vortens.com

**CANADIAN CUSTOMER SERVICE**  
Toll Free: 866-363-1365  
canadiansales@vortens.com  
www.vortens.com



# TORNADO ADA HET

Model 3134-3471



## FEATURES

2-1/4" Fully Glazed Trapway – Passes a 2" Ball

High-Efficiency Toilet (HET) with Powerful Pressure-Assist  
1.28 gpf/4.8 lpf Flush

Extra-Quiet Flushing Action

Pressure-Assist – Equipped with Sloan Flushmate® IV

Flushes 1,000 grams of solids\*

Extra-Large 12" x 10-1/2" Water Surface

Chrome-Plated Metal Flush Lever

Ideal Height™ A.D.A. Compliant – 16-1/2" High

5-Year Warranty on Vitreous China

V-Gloss™ High-Gloss Vitreous China – Durable, Nonporous

Bowl Shape Compatible with Bemis® 170 & 1800 Toilet Seats

## SPECIFICATIONS

3134-V	Elongated Bowl	53 Lbs.
3471-V	12" Rough-In Tank	37 Lbs.
3478-V	12" Right-Hand Flush	37 Lbs.

See other side for additional options.



Meets ASME A112.19.2 / CSA B45.1  
Seat Not Included

\*per MaP test

THE PROVEN LEADER  
IN FLUSHING PERFORMANCE™

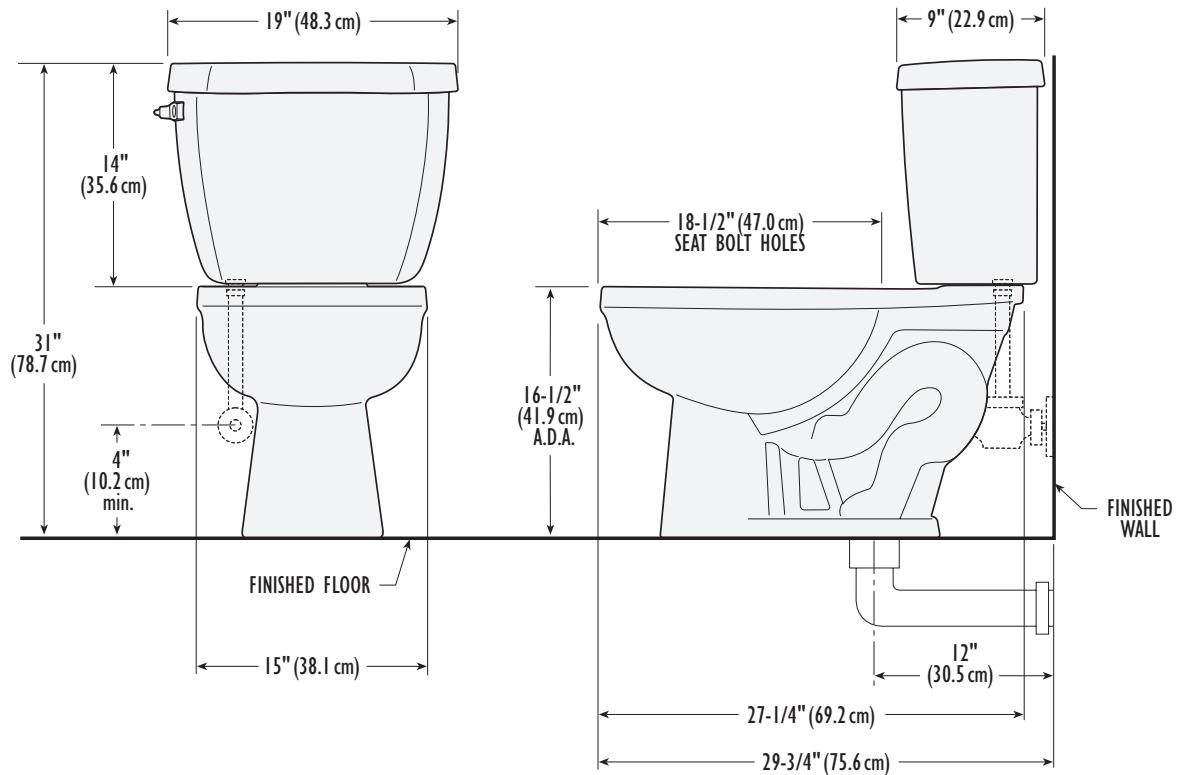
Vortens®  
The Vortens logo graphic, consisting of several curved, horizontal lines that sweep upwards and to the right, creating a sense of motion and water flow.

# TORNADO ADA HET

Model 3134-3471

## DIMENSIONS

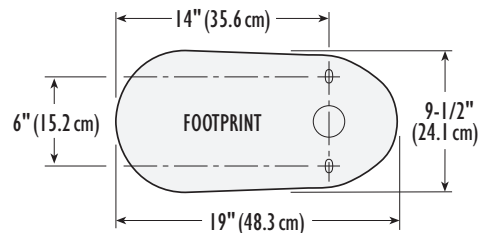
**IMPORTANT:** Dimensions of fixtures are nominal and may vary within the range of tolerance established by the standards ASME A112.19.2 / CSA B45.1. These measurements are subject to change or cancellation. No responsibility is assumed for use of superseded or voided pages.



## SPECIFICATIONS

3134-V	Elongated Bowl	53 Lbs.
3471-V	12" Rough-In Tank 1.28 gpf / 4.8 lpf Flush	37 Lbs.
3478-V	12" Right-Hand Flush 1.28 gpf / 4.8 lpf Flush	37 Lbs.
3468-V*	12" Rough-In Tank 1.0 gpf / 3.8 lpf Flush	37 Lbs.
3470-V*	12" Right-Hand Flush 1.0 gpf / 3.8 lpf Flush	37 Lbs.

\*Special Order



## COLORS

02: White

Other: Refer to price book for additional colors/finishes

Color number is indicated between part number and letter suffix (i.e. 3464-02-V)



**U.S. CUSTOMER SERVICE**  
Toll Free: 866-821-2811  
customerservice@vortens.com  
ussales@vortens.com  
www.vortens.com

**CANADIAN CUSTOMER SERVICE**  
Toll Free: 866-363-1365  
canadiansales@vortens.com  
www.vortens.com



# TORNADO EL HET

Model 3138-3471



## FEATURES

2-1/4" Fully Glazed Trapway – Passes a 2" Ball

High-Efficiency Toilet (HET) with Powerful Pressure-Assist  
1.28 gpf/4.8 lpf Flush

Extra-Quiet Flushing Action

Pressure-Assist – Equipped with Sloan Flushmate® IV

Flushes 700 grams of solids\*

Extra-Large 12" x 10-1/2" Water Surface

Chrome-Plated Metal Flush Lever

5-Year Warranty on Vitreous China

V-Gloss™ High-Gloss Vitreous China – Durable, Nonporous

Bowl Shape Compatible with Bemis® 170, 1500 & 1600 Toilet Seats

## SPECIFICATIONS

3138-V	Elongated Bowl	48 Lbs.
3471-V	12" Rough-In Tank	37 Lbs.
3478-V	12" Right-Hand Flush	37 Lbs.

See other side for additional options.



Meets ASME A112.19.2 / CSA B45.1  
Seat Not Included

\*per MaP test

THE PROVEN LEADER  
IN FLUSHING PERFORMANCE™

Vortens®  

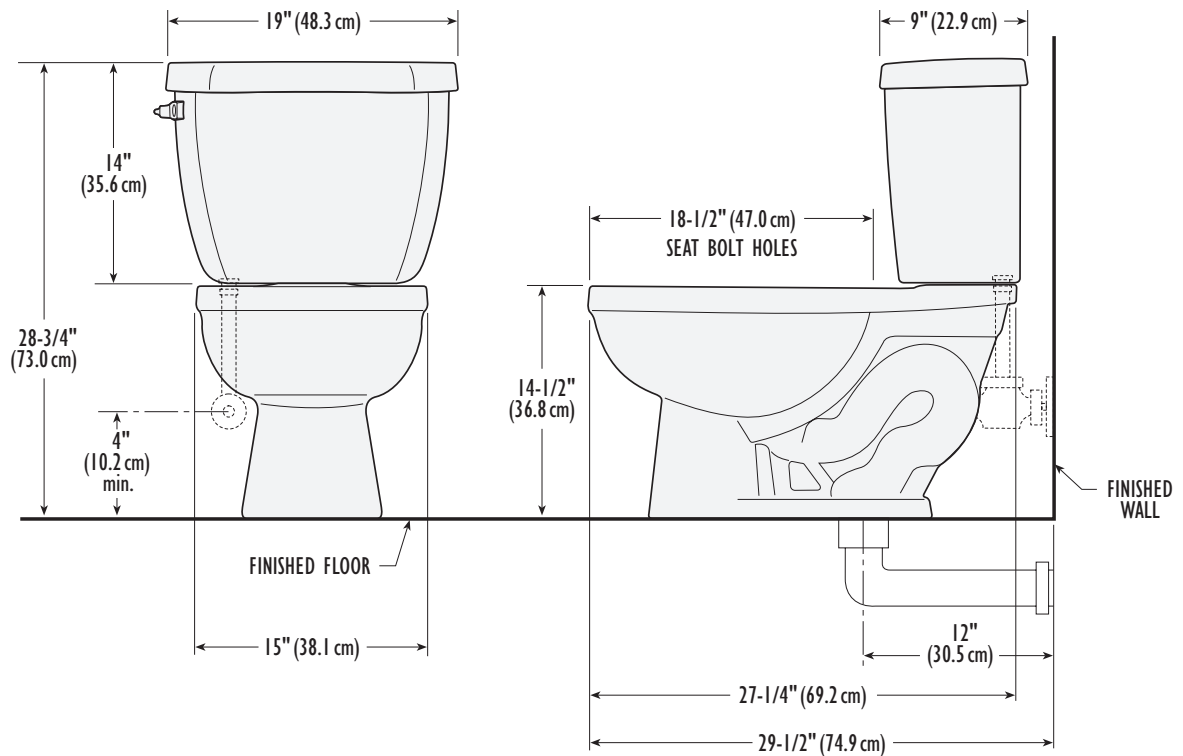



# TORNADO EL HET

Model 3138-3471

## DIMENSIONS

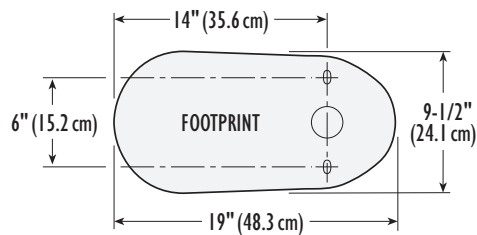
**IMPORTANT:** Dimensions of fixtures are nominal and may vary within the range of tolerance established by the standards ASME A112.19.2 / CSA B45.1. These measurements are subject to change or cancellation. No responsibility is assumed for use of superseded or voided pages.



## SPECIFICATIONS

3138-V	Elongated Bowl	48 Lbs.
3471-V	12" Rough-In Tank 1.28 gpf / 4.8 lpf Flush	37 Lbs.
3478-V	12" Right-Hand Flush 1.28 gpf / 4.8 lpf Flush	37 Lbs.
3468-V*	12" Rough-In Tank 1.0 gpf / 3.8 lpf Flush	37 Lbs.
3470-V*	12" Right-Hand Flush 1.0 gpf / 3.8 lpf Flush	37 Lbs.

\*Special Order



## COLORS

02: White

Other: Refer to price book for additional colors/finishes

Color number is indicated between part number and letter suffix (i.e. 3464-02-V)



**U.S. CUSTOMER SERVICE**  
Toll Free: 866-821-2811  
customerservice@vortens.com  
ussales@vortens.com  
www.vortens.com

**CANADIAN CUSTOMER SERVICE**  
Toll Free: 866-363-1365  
canadiansales@vortens.com  
www.vortens.com



# RHODAS ADA DF

Model 3123-3436

## FEATURES

2-1/8" Fully Glazed Trapway – Passes a 2" Ball

Dual-Flush, High-Efficiency Toilet (HET) with Powerful 1.6 gpf/6.0 lpf Flush and 1.1 gpf/4.0 lpf Flush

Equipped with – Pilot Valve

Flushes 1,000 grams of solids\*

8" x 7" Water Surface

Extra-Large Footprint

Ideal Height™ A.D.A. Compliant\*\* – 17" High

5-Year Warranty on Vitreous China

3-Year Warranty on Component and/or Accessory Parts

V-Gloss™ High-Gloss Vitreous China – Durable, Nonporous

Bowl Shape Compatible with Bemis® 170, 1200, 1500 & 1800 Toilet Seats

## SPECIFICATIONS

3123-V	Elongated Bowl	56 Lbs.
3436-V	12" Rough-In Dual-Flush Tank	34 Lbs.
3438-V	12" Push-Button Tank	34 Lbs.

See other side for additional options.



Meets ASME A112.19.2 / CSA B45.1  
Seat Not Included

\*per MaP test

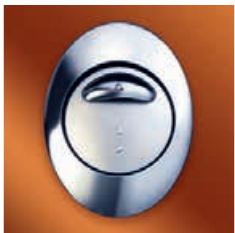


Model 3123-3438

Model 3123-3436



Our Dual-Flush System makes controlling the amount of water per flush easy. Simply move the flush lever forward for a more powerful and efficient 1.6 gpf/6.0 lpf flush for solid waste or backward for a 1.1 gpf/4.0 lpf flush for liquid waste (same as a urinal).



With the two-button Dual-Flush System control you can select a powerful, efficient 1.6 gpf/6.0 lpf flush for solid waste or a 1.1 gpf/4.0 lpf for liquid waste.

\*\*A.D.A. compliant when installed with trip lever located on approach side.

THE PROVEN LEADER  
IN FLUSHING PERFORMANCE™

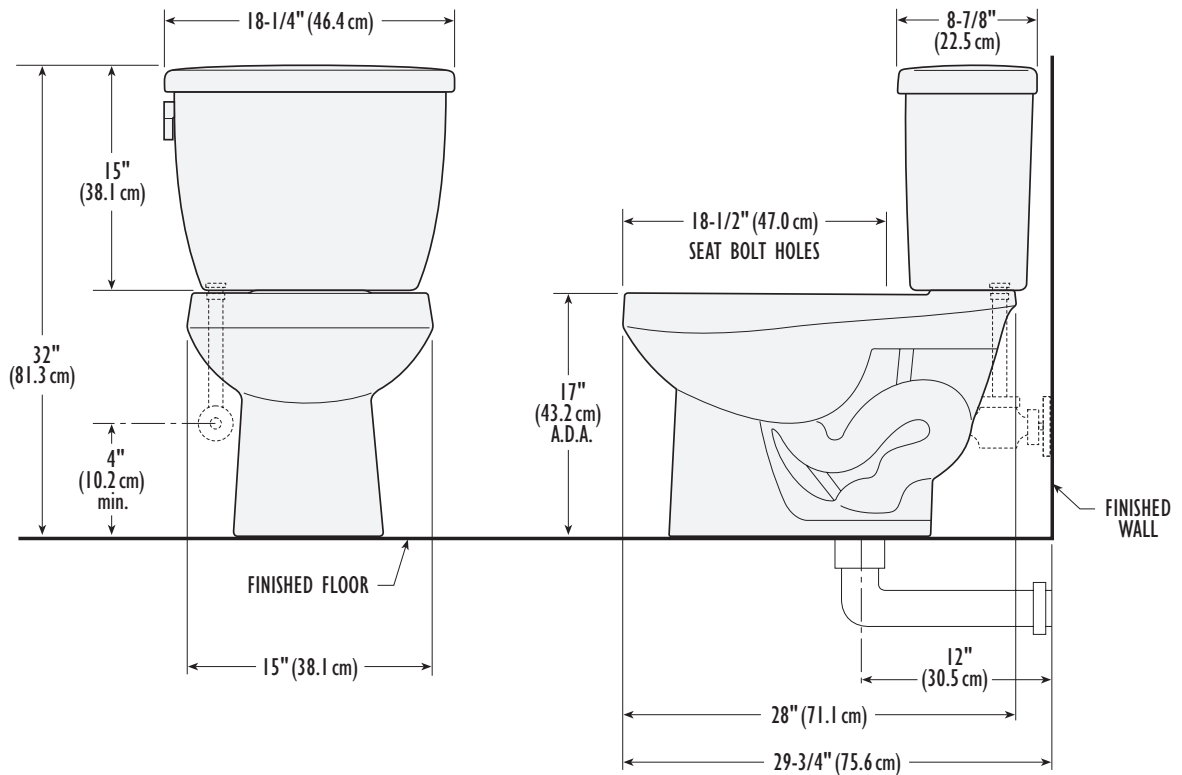
Vortens®

# RHODAS ADA DF

Model 3123-3436

## DIMENSIONS

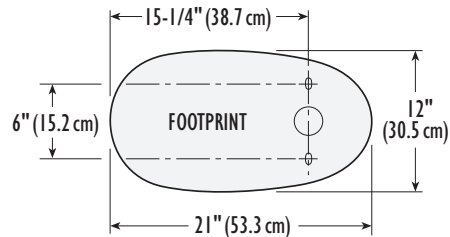
**IMPORTANT:** Dimensions of fixtures are nominal and may vary within the range of tolerance established by the standards ASME A112.19.2 / CSA B45.1. These measurements are subject to change or cancellation. No responsibility is assumed for use of superseded or voided pages.



## SPECIFICATIONS

3123-V	Elongated Bowl	56 Lbs.
3436-V	12" Rough-In Dual-Flush Tank	34 Lbs.
3437-V	12" Right-Hand Dual-Flush Tank	34 Lbs.
3472-VD	10" Rough-In Tank	32 Lbs.
3438-V	12" Push-Button Tank	34 Lbs.

\* Can also be used with Dual-Flush Tank 3420



## COLORS

02: White

Other: Refer to price book for additional colors/finishes

Color number is indicated between part number and letter suffix (i.e. 3464-02-V)



**U.S. CUSTOMER SERVICE**  
Toll Free: 866-821-2811  
customerservice@vortens.com  
ussales@vortens.com  
www.vortens.com

**CANADIAN CUSTOMER SERVICE**  
Toll Free: 866-363-1365  
canadiansales@vortens.com  
www.vortens.com



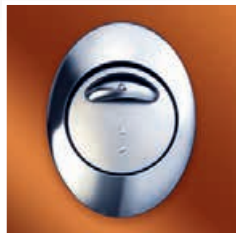
# VIENNA EL DF

Model 3113-3436



Model 3113-3438

Model 3113-3436



With the two-button Dual-Flush System control you can select a powerful, efficient 1.6 gpf/6.0 lpf flush for solid waste or a 1.1 gpf/4.0 lpf for liquid waste.



Our Dual-Flush System makes controlling the amount of water per flush easy. Simply move the flush lever forward for a more powerful and efficient 1.6 gpf/6.0 lpf flush for solid waste or backward for a 1.1 gpf/4.0 lpf flush for liquid waste (same as a unial).

## FEATURES

2-1/8" Fully Glazed Trapway – Passes a 2" Ball

Dual-Flush, High-Efficiency Toilet (HET) with Powerful 1.6 gpf/6.0 lpf Flush and 1.1 gpf/4.0 lpf Flush

Equipped with – Pilot Valve

Flushes 600 grams of solids\*

8-1/2" x 7" Water Surface

5-Year Warranty on Vitreous China

3-Year Warranty on Component and/or Accessory Parts

V-Gloss™ High-Gloss Vitreous China – Durable, Nonporous

Bowl Shape Compatible with Bemis® 170, 1200, 1600 & 1800 Toilet Seats

## SPECIFICATIONS

3113-V	Elongated Bowl	48 Lbs.
3436-V	12" Rough-In Dual-Flush Tank	34 Lbs.
3438-V	12" Push-Button Tank	34 Lbs.

See other side for additional options.



Meets ASME A112.19.2 / CSA B45.1  
Seat Not Included

\*per MaP test

THE PROVEN LEADER  
IN FLUSHING PERFORMANCE™

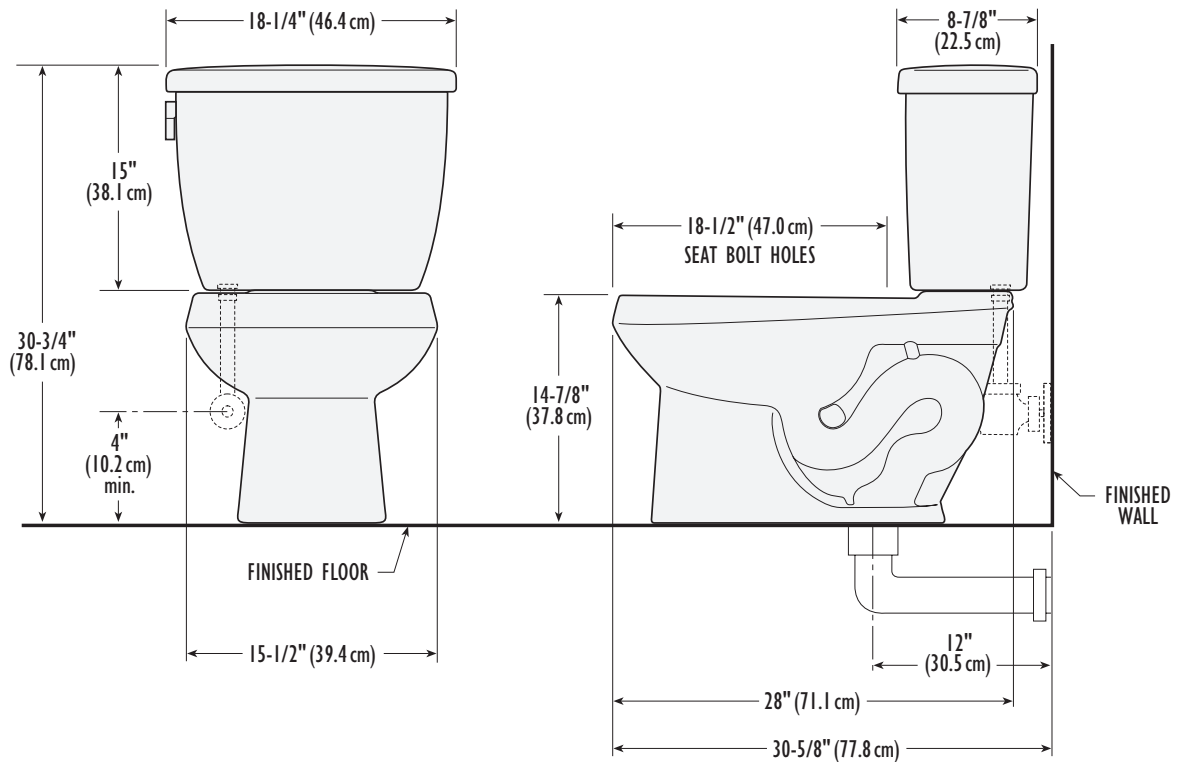
Vortens®

# VIENNA EL DF

Model 3113-3436

## DIMENSIONS

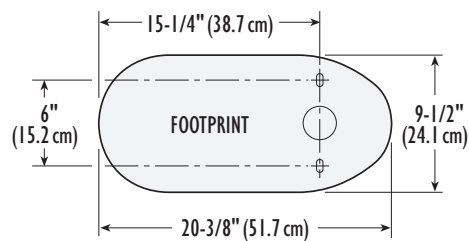
**IMPORTANT:** Dimensions of fixtures are nominal and may vary within the range of tolerance established by the standards ASME A112.19.2 / CSA B45.1. These measurements are subject to change or cancellation. No responsibility is assumed for use of superseded or voided pages.



## SPECIFICATIONS

3113-V	Elongated Bowl	48 Lbs.
3436-V	12" Rough-In Dual-Flush Tank	34 Lbs.
3472-VD	10" Rough-In Dual-Flush Tank	32 Lbs.
3437-V	12" Right-Hand Dual-Flush Tank	34 Lbs.
3438-V	12" Push-Button Tank	34 Lbs.

\* Can also be used with Dual-Flush Tank 3420



## COLORS

02: White

Other: Refer to price book for additional colors/finishes

Color number is indicated between part number and letter suffix (i.e. 3464-02-V)



**U.S. CUSTOMER SERVICE**  
 Toll Free: 866-821-2811  
[customerservice@vortens.com](mailto:customerservice@vortens.com)  
[ussales@vortens.com](mailto:ussales@vortens.com)  
[www.vortens.com](http://www.vortens.com)

**CANADIAN CUSTOMER SERVICE**  
 Toll Free: 866-363-1365  
[canadiansales@vortens.com](mailto:canadiansales@vortens.com)  
[www.vortens.com](http://www.vortens.com)



# VIENNA RF DF

Model 3208-3436

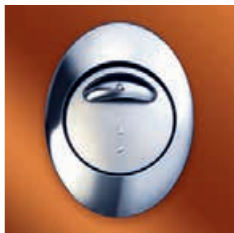


Model 3208-3438

Model 3208-3436



Our Dual-Flush System makes controlling the amount of water per flush easy. Simply move the flush lever forward for a more powerful and efficient 1.6 gpf/6.0 lpf flush for solid waste or backward for a 1.1 gpf/4.0 lpf flush for liquid waste (same as a urinal).



With the two-button Dual-Flush System control you can select a powerful, efficient 1.6 gpf/6.0 lpf flush for solid waste or a 1.1 gpf/4.0 lpf for liquid waste.

## FEATURES

2-1/8" Fully Glazed Trapway – Passes a 2" Ball

Dual-Flush, High-Efficiency Toilet (HET) with Powerful 1.6 gpf/6.0 lpf Flush and 1.1 gpf/4.0 lpf Flush

Equipped with – Pilot Valve

Flushes 600 grams of solids\*

8" x 7" Water Surface

5-Year Warranty on Vitreous China

3-Year Warranty on Component and/or Accessory Parts

V-Gloss™ High-Gloss Vitreous China – Durable, Nonporous

Bowl Shape Compatible with Bemis® 70, 500 & 600 Toilet Seats

## SPECIFICATIONS

3208-V	Round Front Bowl	41 Lbs.
3436-V	12" Rough-In Dual-Flush Tank	34 Lbs.
3438-V	12" Push-Button Tank	34 Lbs.

See other side for additional options.



Meets ASME A112.19.2 / CSA B45.1  
Seat Not Included

\*per MaP test

THE PROVEN LEADER  
IN FLUSHING PERFORMANCE™

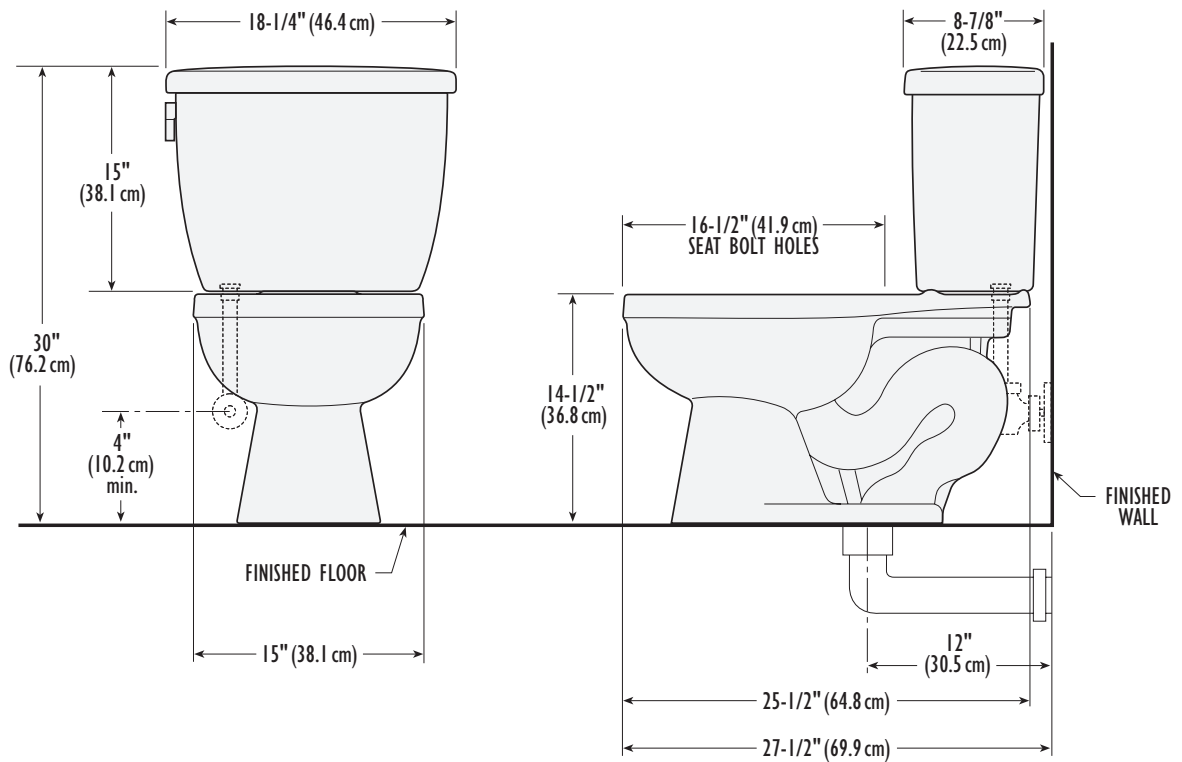
Vortens®

# VIENNA RF DF

Model 3208-3436

## DIMENSIONS

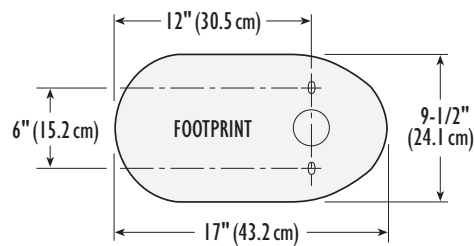
**IMPORTANT:** Dimensions of fixtures are nominal and may vary within the range of tolerance established by the standards ASME A112.19.2 / CSA B45.1. These measurements are subject to change or cancellation. No responsibility is assumed for use of superseded or voided pages.



## SPECIFICATIONS

3208-V	Round Front Bowl	41 Lbs.
3209-V	Round Front Large Footprint Bowl	43 Lbs.
3436-V	12" Rough-In Dual-Flush Tank	34 Lbs.
3472-VD	10" Rough-In Tank	32 Lbs.
3437-V	12" Right-Hand Dual-Flush Tank	34 Lbs.
3438-V	12" Push-Button Tank	34 Lbs.

\* Can also be used with Dual-Flush Tank 3420



## COLORS

02: White

Other: Refer to price book for additional colors/finishes

Color number is indicated between part number and letter suffix (i.e. 3464-02-V)



**U.S. CUSTOMER SERVICE**  
Toll Free: 866-821-2811  
customerservice@vortens.com  
ussales@vortens.com  
www.vortens.com

**CANADIAN CUSTOMER SERVICE**  
Toll Free: 866-363-1365  
canadiansales@vortens.com  
www.vortens.com



# MANCHESTER DF

Model 3107-3427



With the two-button Dual-Flush System control you can select a powerful, efficient 1.6 gpf/6.0 lpf flush for solid waste or a 1.1 gpf/4.0 lpf for liquid waste.

## FEATURES

2-1/8" Fully Glazed Trapway

Dual-Flush, High-Efficiency Toilet (HET) with Powerful 1.6 gpf/6.0 lpf Flush and 1.1 gpf/4.0 lpf Flush

Equipped with – Pilot Valve

Flushes 600 grams of solids

Classic design with metal push button on top of tank

Ideal Height™ – 17" High

Part of the Manchester Suite

5-Year Warranty on Vitreous China

3-Year Warranty on Component and/or Accessory Parts

V-Gloss™ High-Gloss Vitreous China – Durable, Nonporous

Bowl Shape Compatible with Bemis® 1800 Toilet Seat

## SPECIFICATIONS

3107-V	Elongated Bowl	66 Lbs.
3427-V	12" Rough-In Dual-Flush Tank	32 Lbs.

Meets ASME A112.19.2 / CSA B45.1  
Seat Not Included

THE PROVEN LEADER  
IN FLUSHING PERFORMANCE™



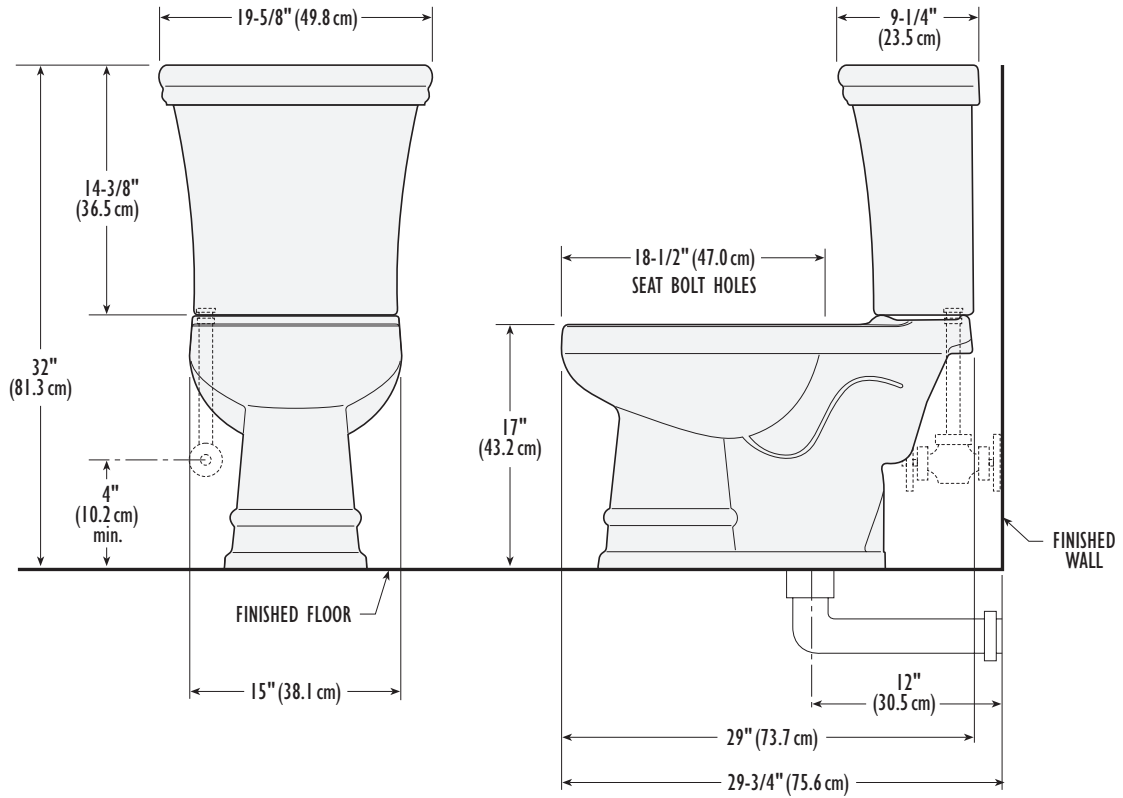


# MANCHESTER DF

Model 3107-3427

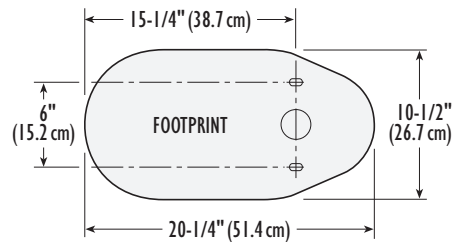
## DIMENSIONS

**IMPORTANT:** Dimensions of fixtures are nominal and may vary within the range of tolerance established by the standards ASME A112.19.2 / CSA B45.1. These measurements are subject to change or cancellation. No responsibility is assumed for use of superseded or voided pages.



## SPECIFICATIONS

3107-V	Elongated Bowl	66 Lbs.
3427-V	12" Rough-In Dual-Flush Tank	32 Lbs.



## COLORS

02: White

Other: Refer to price book for additional colors/finishes

Color number is indicated between part number and letter suffix (i.e. 3464-02-V)



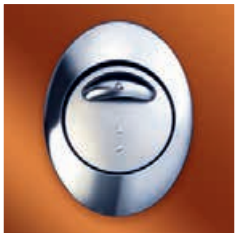
**U.S. CUSTOMER SERVICE**  
 Toll Free: 866-821-2811  
 customerservice@vortens.com  
 ussales@vortens.com  
 www.vortens.com

**CANADIAN CUSTOMER SERVICE**  
 Toll Free: 866-363-1365  
 canadiansales@vortens.com  
 www.vortens.com



# DELPHOS EL DF

Model 3130



With the two-button Dual-Flush System control you can select a powerful, efficient 1.6 gpf/6.0 lpf flush for solid waste or a 1.1 gpf/4.0 lpf for liquid waste.

## FEATURES

2" Fully Glazed Trapway

Dual-Flush, High-Efficiency Toilet (HET) with Powerful 1.6 gpf/6.0 lpf Flush and 1.1 gpf/4.0 lpf Flush

Equipped with – Pilot Valve

Flushes 600 grams of solids

Skirted Bowl with Concealed Trap for Easy Cleaning

Side-Mounted, Chrome-Plated Metal Flush Lever

Soft-Close Toilet Seat Included

9-1/4" x 6-1/4" Water Surface

5-Year Warranty on Vitreous China

3-Year Warranty on Component and/or Accessory Parts

V-Gloss™ High-Gloss Vitreous China – Durable, Nonporous

## SPECIFICATIONS

3130-V	One-Piece Elongated Toilet	110 Lbs.
--------	-------------------------------	----------



Meets ASME A112.19.2 / CSA B45.1  
Seat Not Included

THE PROVEN LEADER  
IN FLUSHING PERFORMANCE™

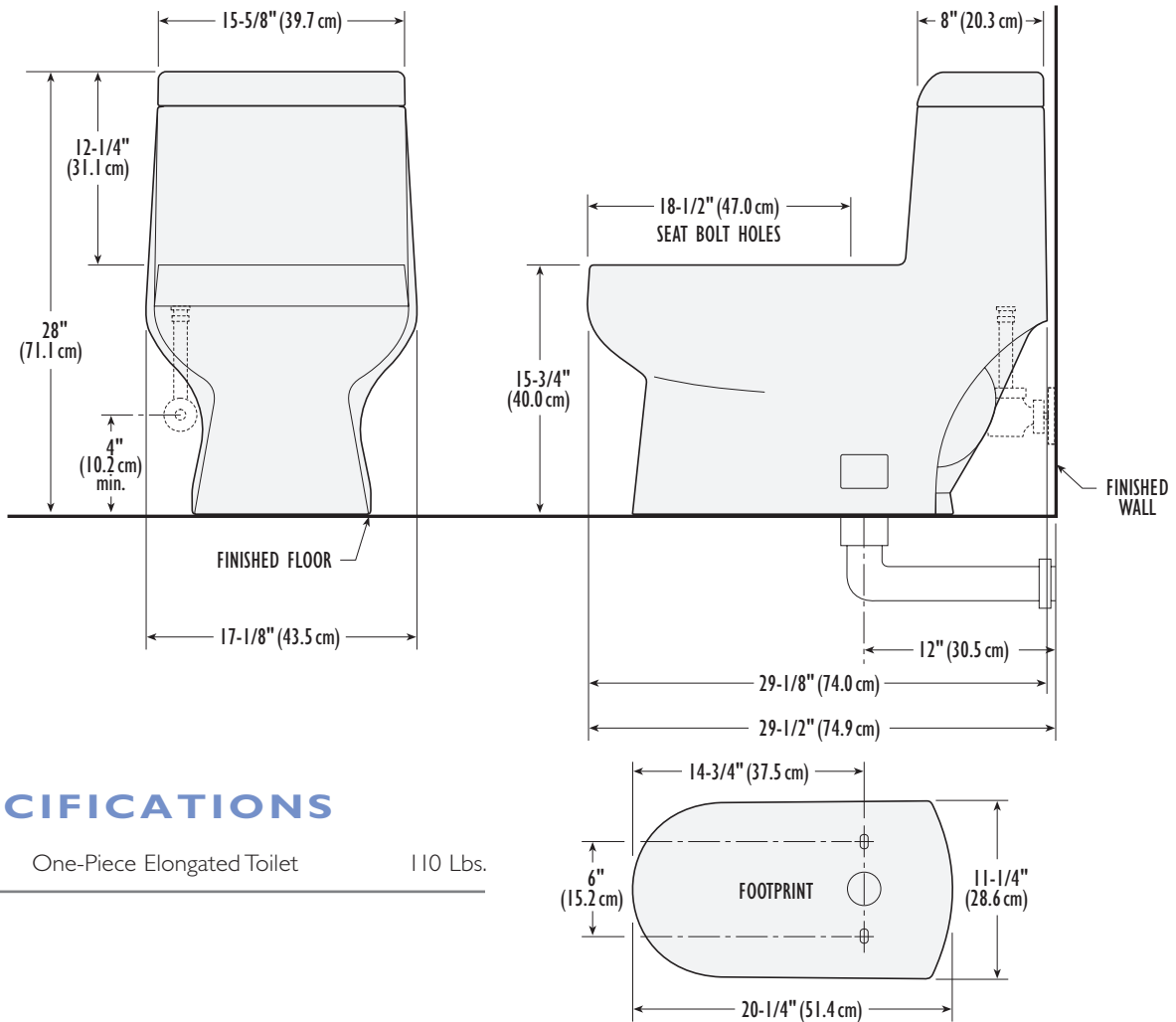


# DELPHOS EL DF

Model 3130

## DIMENSIONS

**IMPORTANT:** Dimensions of fixtures are nominal and may vary within the range of tolerance established by the standards ASME A112.19.2 / CSA B45.1. These measurements are subject to change or cancellation. No responsibility is assumed for use of superseded or voided pages.



## SPECIFICATIONS

3130-V One-Piece Elongated Toilet 110 Lbs.

## COLORS

02: White

Other: Refer to price book for additional colors/finishes

Color number is indicated between part number and letter suffix (i.e. 3464-02-V)



**U.S. CUSTOMER SERVICE**  
Toll Free: 866-821-2811  
customerservice@vortens.com  
ussales@vortens.com  
www.vortens.com

**CANADIAN CUSTOMER SERVICE**  
Toll Free: 866-363-1365  
canadiansales@vortens.com  
www.vortens.com



# Vortens<sup>®</sup>

ALL PERFORMANCE.  
NO PROBLEMS.



1.6 gpf / 6.0 lpf TOILETS

THE PROVEN LEADER  
IN FLUSHING PERFORMANCE<sup>™</sup>

# FORZA ADA

Model 3140-3469



## FEATURES

2-1/8" Fully Glazed Trapway –  
Passes a 2" Ball

Powerful & Efficient 1.6 gpf/6.0 lpf

3" Flush Valve

Equipped with – Pilot Valve

Flushes 1,000 grams of solids

8" x 7" Water Surface

Extra-Large Footprint

Ideal Height™ A.D.A. Compliant –  
17" High

5-Year Warranty on Vitreous China

3-Year Warranty on Component  
and/or Accessory Parts

V-Gloss™ High-Gloss Vitreous China –  
Durable, Nonporous

Bowl Shape Compatible with Bemis®  
170, 1200, 1500 & 1800 Toilet Seats

## SPECIFICATIONS

3140-V Elongated Bowl 59 Lbs.

3469-V 12" Rough-In Tank 33 Lbs.

3476-V 12" Right-Hand Flush\* 33 Lbs.

\*Right-Hand Flush Tank comes equipped with chrome-plated  
all-metal flush lever.



Meets ASME A112.19.2 / CSA B45.1  
Seat Not Included

THE PROVEN LEADER  
IN FLUSHING PERFORMANCE™

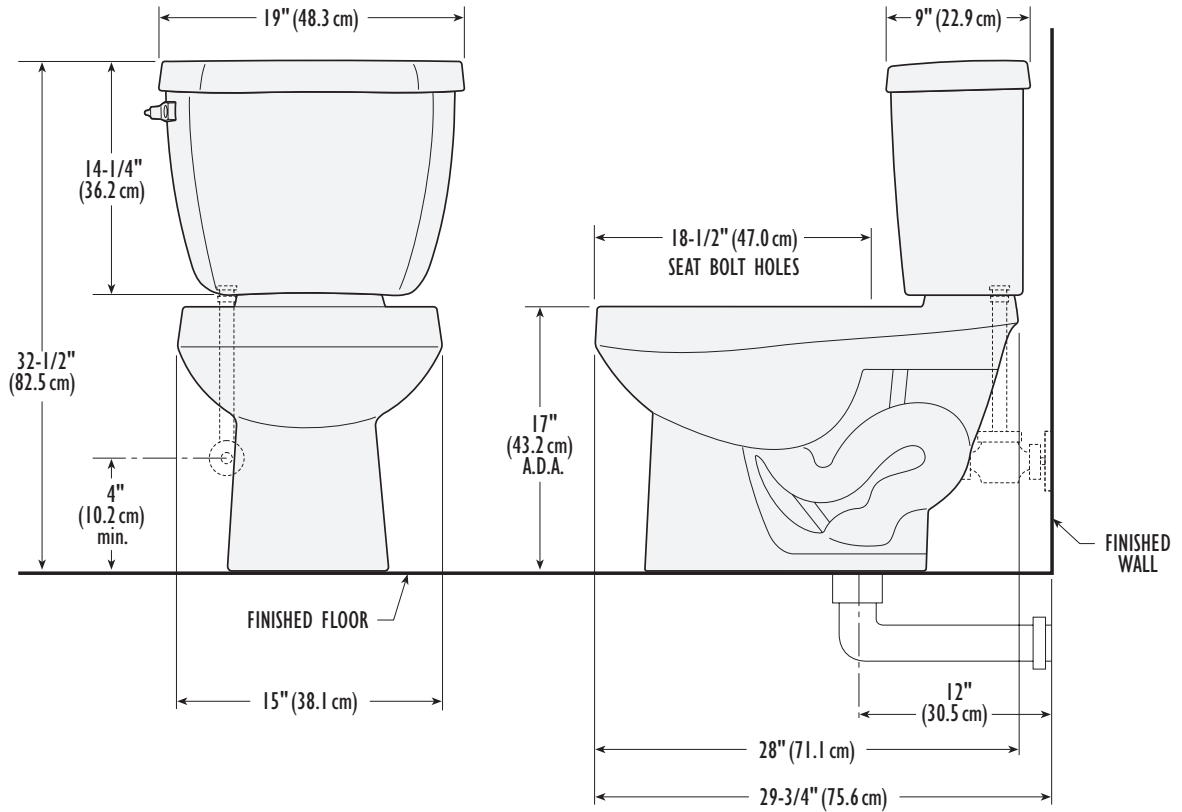


# FORZA ADA

Model 3140-3469

## DIMENSIONS

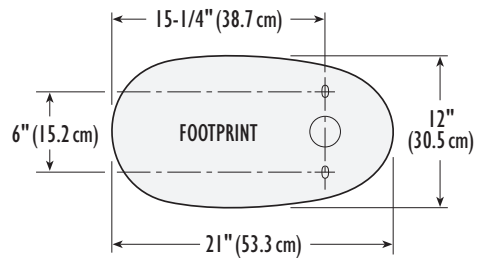
**IMPORTANT:** Dimensions of fixtures are nominal and may vary within the range of tolerance established by the standards ASME A112.19.2 / CSA B45.1. These measurements are subject to change or cancellation. No responsibility is assumed for use of superseded or voided pages.



## SPECIFICATIONS

3140-V	Elongated Bowl	59 Lbs.
3469-V	12" Rough-In Tank	33 Lbs.
3476-V	12" Right-Hand Flush*	33 Lbs.

\*Right-Hand Flush Tank comes equipped with chrome-plated all-metal flush lever.



## COLORS

02: White

Other: Refer to price book for additional colors/finishes

Color number is indicated between part number and letter suffix (i.e. 3464-02-V)



**U.S. CUSTOMER SERVICE**  
Toll Free: 866-821-2811  
customerservice@vortens.com  
ussales@vortens.com  
www.vortens.com

**CANADIAN CUSTOMER SERVICE**  
Toll Free: 866-363-1365  
canadiansales@vortens.com  
www.vortens.com



# FORZA EL

Model 3137-3469



## FEATURES

2-1/8" Fully Glazed Trapway – Passes a 2" Ball

Powerful & Efficient 1.6 gpf/6.0 lpf

3" Flush Valve

Equipped with – Pilot Valve

Flushes 1,000 grams of solids

8" x 7" Water Surface

Extra-Large Footprint

5-Year Warranty on Vitreous China

3-Year Warranty on Component and/or Accessory Parts

V-Gloss™ High-Gloss Vitreous China – Durable, Nonporous

Bowl Shape Compatible with Bemis® 170, 200, 500 & 1800 Toilet Seats

## SPECIFICATIONS

3137-V Elongated Bowl 57 Lbs.

3469-V 12" Rough-In Tank 33 Lbs.

3476-V 12" Right-Hand Flush\* 33 Lbs.

\*Right-Hand Flush Tank comes equipped with chrome-plated all-metal flush lever.



Meets ASME A112.19.2 / CSA B45.1  
Seat Not Included

THE PROVEN LEADER  
IN FLUSHING PERFORMANCE™

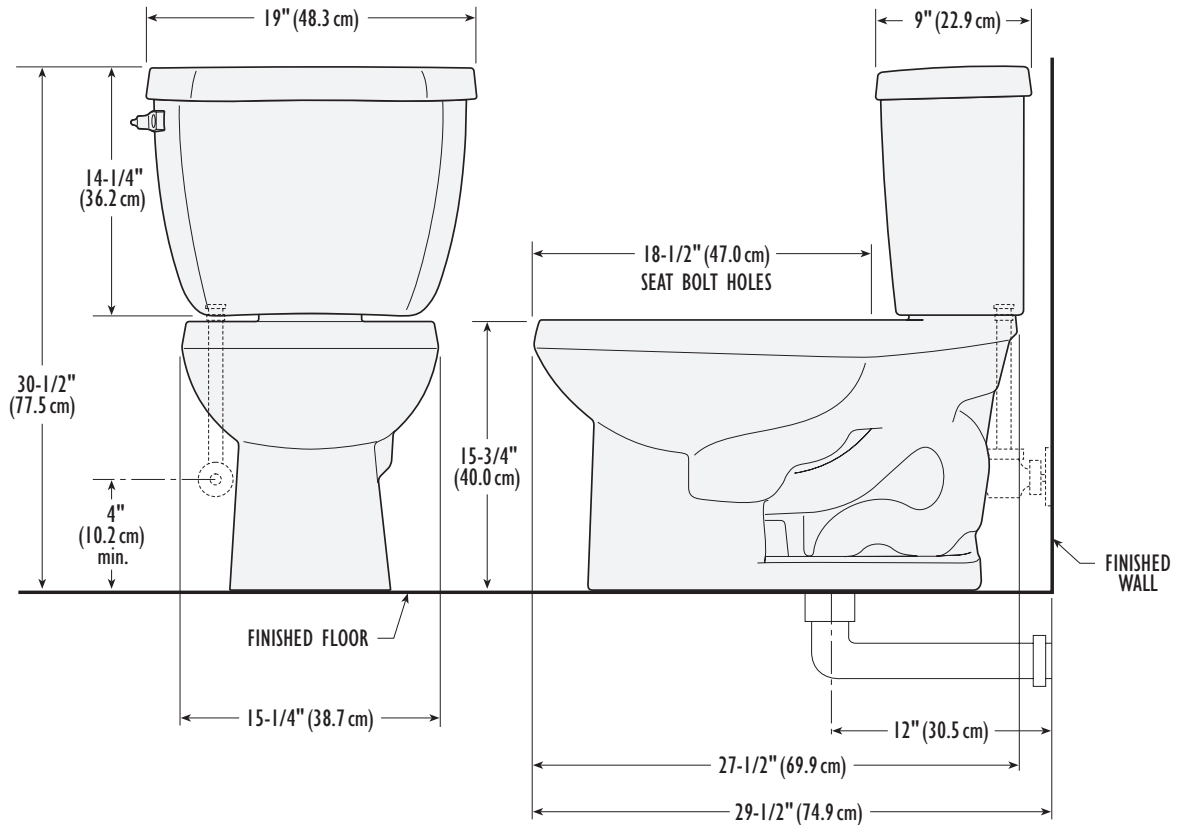


# FORZA EL

Model 3137-3469

## DIMENSIONS

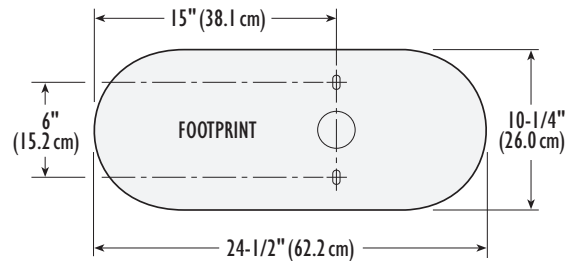
**IMPORTANT:** Dimensions of fixtures are nominal and may vary within the range of tolerance established by the standards ASME A112.19.2 / CSA B45.1. These measurements are subject to change or cancellation. No responsibility is assumed for use of superseded or voided pages.



## SPECIFICATIONS

3137-V	Elongated Bowl	57 Lbs.
3469-V	12" Rough-In Tank	33 Lbs.
3476-V	12" Right-Hand Flush*	33 Lbs.

\*Right-Hand Flush Tank comes equipped with chrome-plated all-metal flush lever.



## COLORS

02: White

Other: Refer to price book for additional colors/finishes

Color number is indicated between part number and letter suffix (i.e. 3464-02-V)



**U.S. CUSTOMER SERVICE**  
Toll Free: 866-821-2811  
customerservice@vortens.com  
ussales@vortens.com  
www.vortens.com

**CANADIAN CUSTOMER SERVICE**  
Toll Free: 866-363-1365  
canadiansales@vortens.com  
www.vortens.com





# FORZA RF

Model 3213-3469



## FEATURES

2-1/8" Fully Glazed Trapway –  
Passes a 2" Ball

Powerful & Efficient 1.6 gpf/6.0 lpf

3" Flush Valve

Equipped with – Pilot Valve

Flushes 1,000 grams of solids

8" x 7" Water Surface

Extra-Large Footprint

5-Year Warranty on Vitreous China

3-Year Warranty on Component  
and/or Accessory Parts

V-Gloss™ High-Gloss Vitreous China –  
Durable, Nonporous

Bowl Shape Compatible with Bemis®  
70, 500 & 600 Toilet Seats

## SPECIFICATIONS

3213-V Round Front Bowl 55 Lbs.

3469-V 12" Rough-In Tank 33 Lbs.

3476-V 12" Right-Hand Flush\* 33 Lbs.

\*Right-Hand Flush Tank comes equipped with chrome-plated  
all-metal flush lever.



Meets ASME A112.19.2 / CSA B45.1  
Seat Not Included

THE PROVEN LEADER  
IN FLUSHING PERFORMANCE™

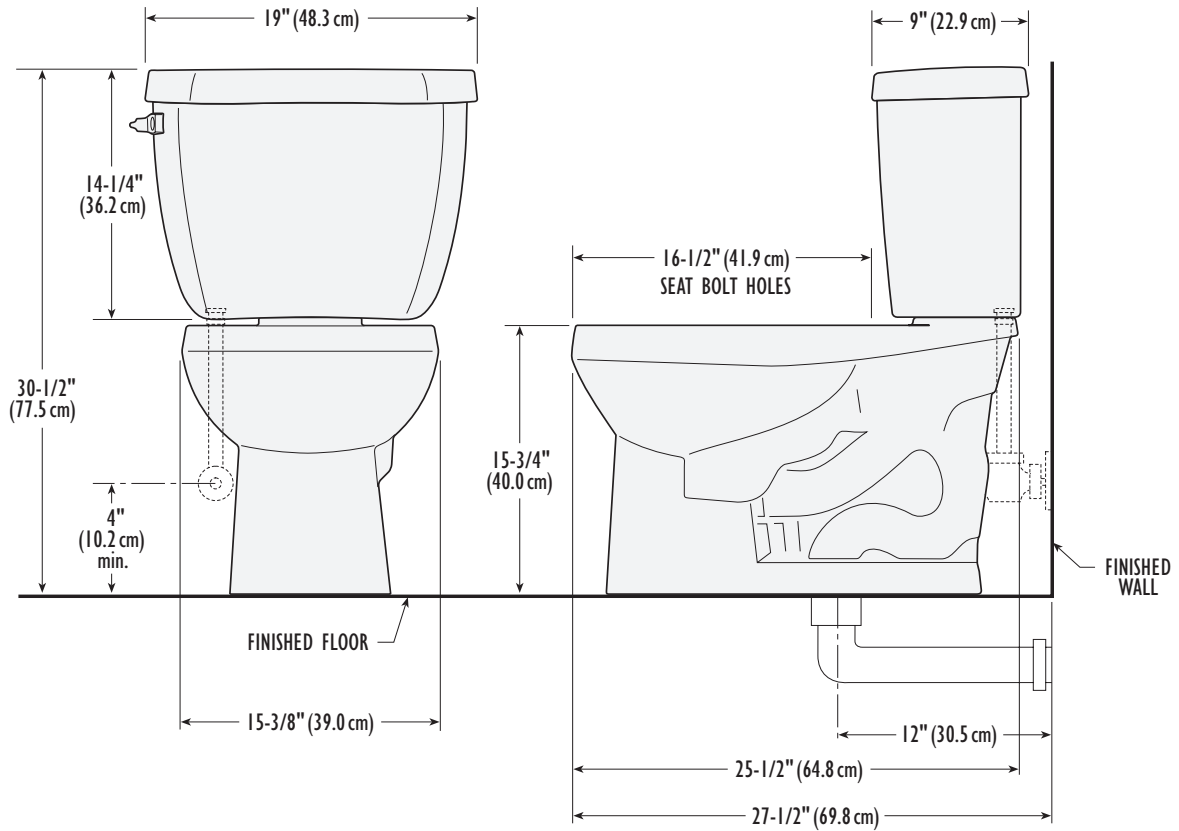


# FORZA RF

Model 3213-3469

## DIMENSIONS

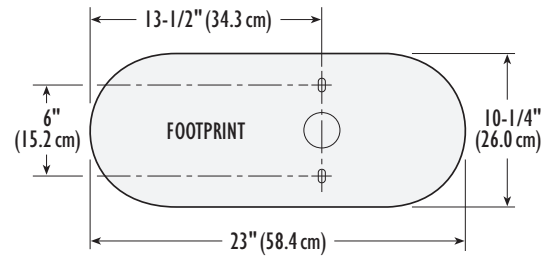
**IMPORTANT:** Dimensions of fixtures are nominal and may vary within the range of tolerance established by the standards ASME A112.19.2 / CSA B45.1. These measurements are subject to change or cancellation. No responsibility is assumed for use of superseded or voided pages.



## SPECIFICATIONS

3213-V	Round Front Bowl	55 Lbs.
3469-V	12" Rough-In Tank	33 Lbs.
3476-V	12" Right-Hand Flush*	33 Lbs.

\*Right-Hand Flush Tank comes equipped with chrome-plated all-metal flush lever.



## COLORS

02: White

Other: Refer to price book for additional colors/finishes

Color number is indicated between part number and letter suffix (i.e. 3464-02-V)



**U.S. CUSTOMER SERVICE**  
Toll Free: 866-821-2811  
customerservice@vortens.com  
ussales@vortens.com  
www.vortens.com

**CANADIAN CUSTOMER SERVICE**  
Toll Free: 866-363-1365  
canadiansales@vortens.com  
www.vortens.com



# VIENNA PLUS ADA

Model 3123-3412



## FEATURES

2-1/8" Fully Glazed Trapway –  
Passes a 2" Ball

Powerful & Efficient 1.6 gpf/6.0 lpf

Flushes 1,000 grams of solids

8" x 7" Water Surface

Extra-Large Footprint

Ideal Height™ A.D.A. Compliant –  
17" High

5-Year Warranty on Vitreous China

3-Year Warranty on Component  
and/or Accessory Parts

V-Gloss™ High-Gloss Vitreous China –  
Durable, Nonporous

Bowl Shape Compatible with Bemis®  
170, 1200, 1500 & 1800 Toilet Seats

## SPECIFICATIONS

3123-V    Elongated Bowl    56 Lbs.

3412-V    12" Rough-In Tank    30 Lbs.

See other side for additional options.



Meets ASME A112.19.2 / CSA B45.1  
Seat Not Included

THE PROVEN LEADER  
IN FLUSHING PERFORMANCE™

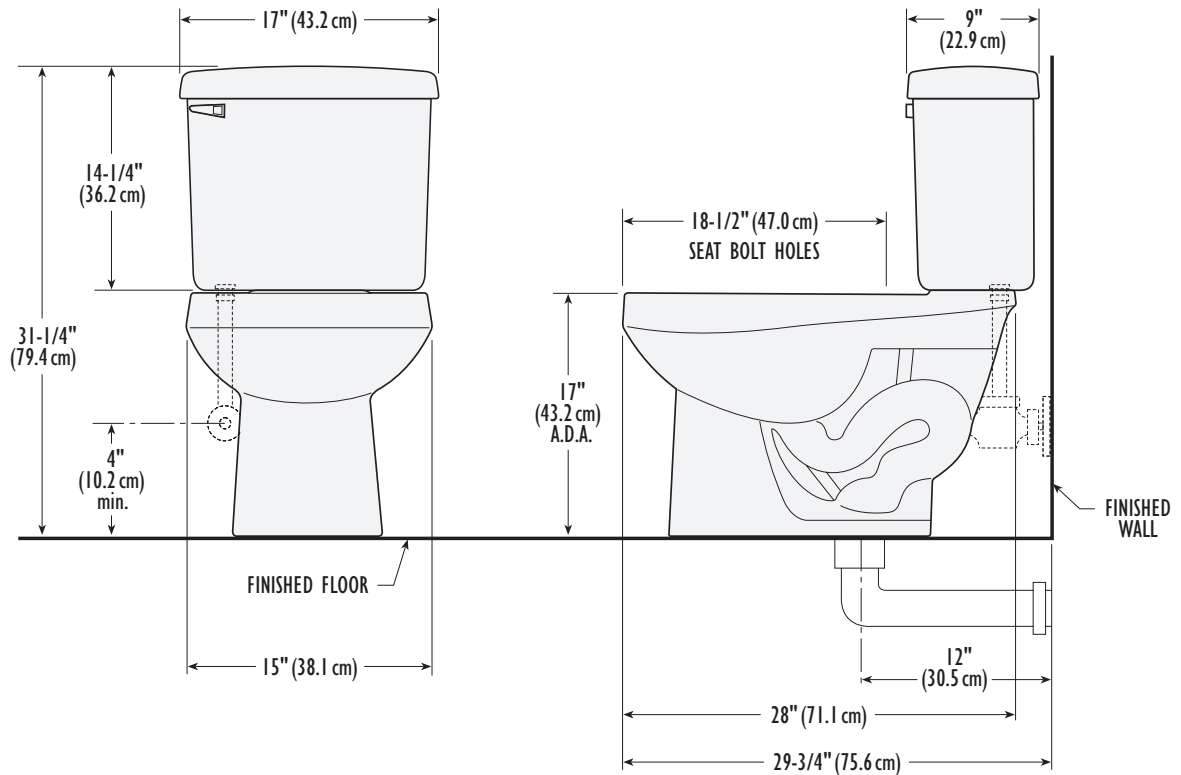


# VIENNA PLUS ADA

Model 3123-3412

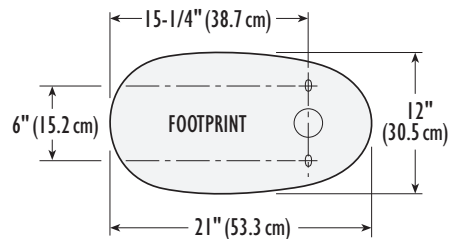
## DIMENSIONS

**IMPORTANT:** Dimensions of fixtures are nominal and may vary within the range of tolerance established by the standards ASME A112.19.2 / CSA B45.1. These measurements are subject to change or cancellation. No responsibility is assumed for use of superseded or voided pages.



## SPECIFICATIONS

3123-V	Elongated Bowl	56 Lbs.
3412-V	12" Rough-In Tank	30 Lbs.
3432-V	12" Right-Hand Flush	30 Lbs.
3430-V	10" Rough-In Tank	29 Lbs.
3431-V	14" Rough-In Tank	34 Lbs.



## COLORS

02: White

Other: Refer to price book for additional colors/finishes

Color number is indicated between part number and letter suffix (i.e. 3464-02-V)



**U.S. CUSTOMER SERVICE**  
Toll Free: 866-821-2811  
customerservice@vortens.com  
ussales@vortens.com  
www.vortens.com

**CANADIAN CUSTOMER SERVICE**  
Toll Free: 866-363-1365  
canadiansales@vortens.com  
www.vortens.com



# VIENNA PLUS EL

Model 3113-3412



## FEATURES

2-1/8" Fully Glazed Trapway –  
Passes a 2" Ball

Powerful & Efficient 1.6 gpf/6.0 lpf

Flushes 800 grams of solids

8" x 7" Water Surface

Extra-Large Footprint

5-Year Warranty on Vitreous China

3-Year Warranty on Component  
and/or Accessory Parts

V-Gloss™ High-Gloss Vitreous China –  
Durable, Nonporous

Bowl Shape Compatible with Bemis®  
170, 1200, 1600 & 1800 Toilet Seats

## SPECIFICATIONS

3113-V Elongated Bowl 48 Lbs.

3412-V 12" Rough-In Tank 30 Lbs.

See other side for additional options.



Meets ASME A112.19.2 / CSA B45.1  
Seat Not Included

THE PROVEN LEADER  
IN FLUSHING PERFORMANCE™

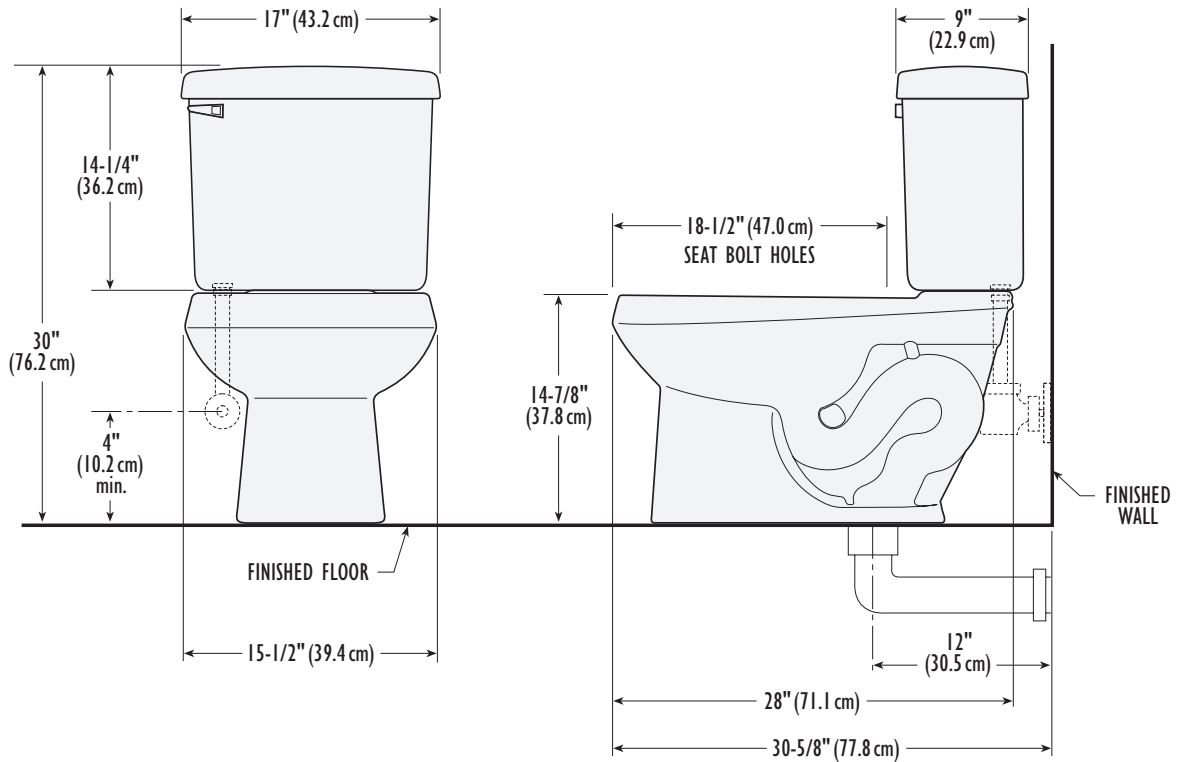


# VIENNA PLUS EL

Model 3113-3412

## DIMENSIONS

**IMPORTANT:** Dimensions of fixtures are nominal and may vary within the range of tolerance established by the standards ASME A112.19.2 / CSA B45.1. These measurements are subject to change or cancellation. No responsibility is assumed for use of superseded or voided pages.



## SPECIFICATIONS

3113-V	Elongated Bowl	48 Lbs.
3412-V	12" Rough-In Tank	30 Lbs.
3432-V	12" Right-Hand Flush	30 Lbs.
3430-V	10" Rough-In Tank	29 Lbs.
3431-V	14" Rough-In Tank	34 Lbs.

## COLORS

02: White

Other: Refer to price book for additional colors/finishes

Color number is indicated between part number and letter suffix (i.e. 3464-02-V)



**U.S. CUSTOMER SERVICE**  
Toll Free: 866-821-2811  
customerservice@vortens.com  
ussales@vortens.com  
www.vortens.com

**CANADIAN CUSTOMER SERVICE**  
Toll Free: 866-363-1365  
canadiansales@vortens.com  
www.vortens.com



# VIENNA PLUS RF

Model 3208-3412



## FEATURES

2-1/8" Fully Glazed Trapway –  
Passes a 2" Ball

Powerful & Efficient 1.6 gpf/6.0 lpf

Flushes 600 grams of solids

8" x 7" Water Surface

5-Year Warranty on Vitreous China

3-Year Warranty on Component  
and/or Accessory Parts

V-Gloss™ High-Gloss Vitreous China –  
Durable, Nonporous

Bowl Shape Compatible with Bemis®  
70, 500 & 600 Toilet Seats

## SPECIFICATIONS

3208-V Round Front Bowl 41 Lbs.

3412-V 12" Rough-In Tank 30 Lbs.

See other side for additional options.



Meets ASME A112.19.2 / CSA B45.1  
Seat Not Included

THE PROVEN LEADER  
IN FLUSHING PERFORMANCE™

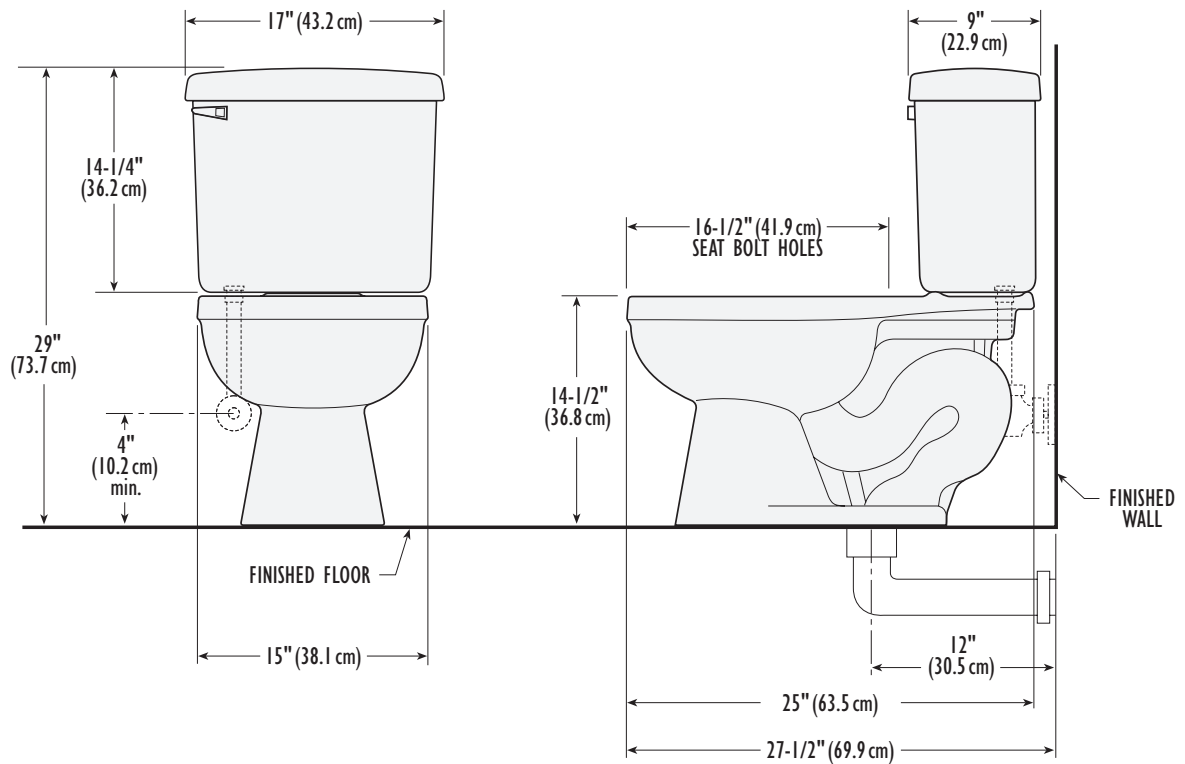
Vortens®

# VIENNA PLUS RF

Model 3208-3412

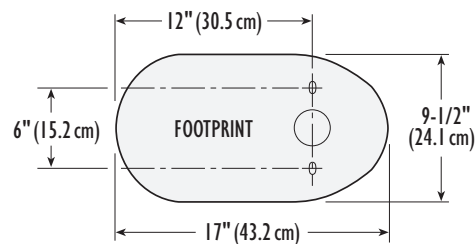
## DIMENSIONS

**IMPORTANT:** Dimensions of fixtures are nominal and may vary within the range of tolerance established by the standards ASME A112.19.2 / CSA B45.1. These measurements are subject to change or cancellation. No responsibility is assumed for use of superseded or voided pages.



## SPECIFICATIONS

3208-V	Round Front Bowl	41 Lbs.
3209-V	Round Front Large Footprint Bowl	43 Lbs.
3412-V	12" Rough-In Tank	30 Lbs.
3432-V	12" Right-Hand Flush	30 Lbs.
3430-V	10" Rough-In Tank	29 Lbs.
3431-V	14" Rough-In Tank	34 Lbs.
3412-L	12" Rough-In Insulated Tank (White LH Flush)	30 Lbs.



## COLORS

02: White

Other: Refer to price book for additional colors/finishes

Color number is indicated between part number and letter suffix (i.e. 3464-02-V)



**U.S. CUSTOMER SERVICE**  
Toll Free: 866-821-2811  
customerservice@vortens.com  
ussales@vortens.com  
www.vortens.com

**CANADIAN CUSTOMER SERVICE**  
Toll Free: 866-363-1365  
canadiansales@vortens.com  
www.vortens.com





# RHODAS ADA

Model 3123-3464



## FEATURES

2-1/8" Fully Glazed Trapway –  
Passes a 2" Ball

Powerful & Efficient 1.6 gpf/6.0 lpf

Flushes 1,000 grams of solids

8" x 7" Water Surface

Extra-Large Footprint

Ideal Height™ A.D.A. Compliant –  
17" High

5-Year Warranty on Vitreous China

1-Year Warranty on Component  
and/or Accessory Parts

V-Gloss™ High-Gloss Vitreous China –  
Durable, Nonporous

Bowl Shape Compatible with Bemis®  
170, 1200, 1500 & 1800 Toilet Seats

## SPECIFICATIONS

3123-V	Elongated Bowl	56 Lbs.
--------	----------------	---------

3464-V	12" Rough-In Tank	34 Lbs.
--------	-------------------	---------

See other side for additional options.



Meets ASME A112.19.2 / CSA B45.1  
Seat Not Included

THE PROVEN LEADER  
IN FLUSHING PERFORMANCE™

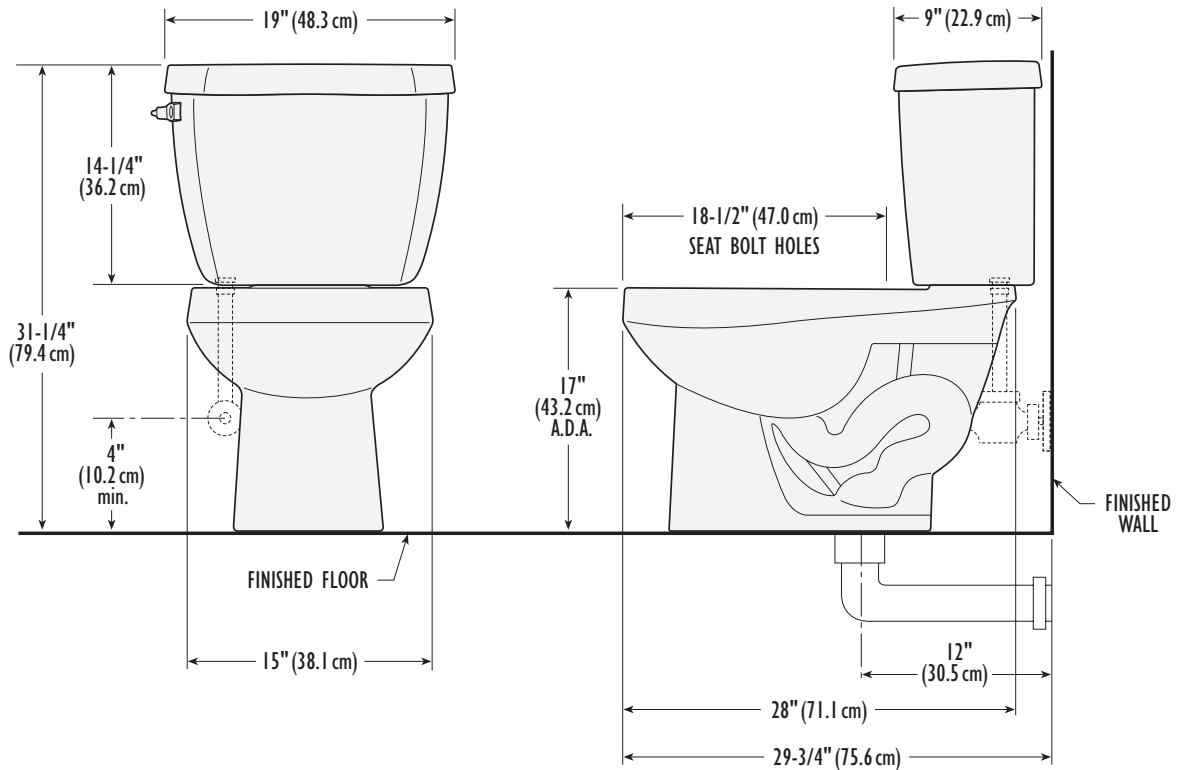
Vortens®

# RHODAS ADA

Model 3123-3464

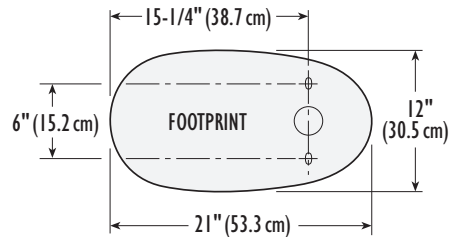
## DIMENSIONS

**IMPORTANT:** Dimensions of fixtures are nominal and may vary within the range of tolerance established by the standards ASME A112.19.2 / CSA B45.1. These measurements are subject to change or cancellation. No responsibility is assumed for use of superseded or voided pages.



## SPECIFICATIONS

3123-V	Elongated Bowl	56 Lbs.
3464-V	12" Rough-In Tank	34 Lbs.
3465-V	10" Rough-In Tank	30 Lbs.
3466-V	14" Rough-In Tank	38 Lbs.
3467-V	12" Right-Hand Flush	34 Lbs.
3464-R	12" Rough-In Tank with Pilot Valve	34 Lbs.
3464-L	12" Rough-In Insulated Tank (White LH Flush)	35 Lbs.
3464-S	12" Rough-In Insulated Tank with Pilot Valve	35 Lbs.



## COLORS

02: White

Other: Refer to price book for additional colors/finishes

Color number is indicated between part number and letter suffix (i.e. 3464-02-V)



**U.S. CUSTOMER SERVICE**  
Toll Free: 866-821-2811  
customerservice@vortens.com  
ussales@vortens.com  
www.vortens.com

**CANADIAN CUSTOMER SERVICE**  
Toll Free: 866-363-1365  
canadiansales@vortens.com  
www.vortens.com



# VIENNA EL

Model 3113-3464



## FEATURES

2-1/8" Fully Glazed Trapway –  
Passes a 2" Ball

Powerful & Efficient 1.6 gpf/6.0 lpf

Flushes 800 grams of solids per  
MaP test

8-1/2" x 7" Water Surface

5-Year Warranty on Vitreous China

1-Year Warranty on Component  
and/or Accessory Parts

V-Gloss™ High-Gloss Vitreous China –  
Durable, Nonporous

Bowl Shape Compatible with Bemis®  
170, 1200, 1600 & 1800 Toilet Seats

## SPECIFICATIONS

3113-V	Elongated Bowl	48 Lbs.
3464-V	12" Rough-In Tank	34 Lbs.

See other side for additional options.

Meets ASME A112.19.2 / CSA B45.1  
Seat Not Included

THE PROVEN LEADER  
IN FLUSHING PERFORMANCE™

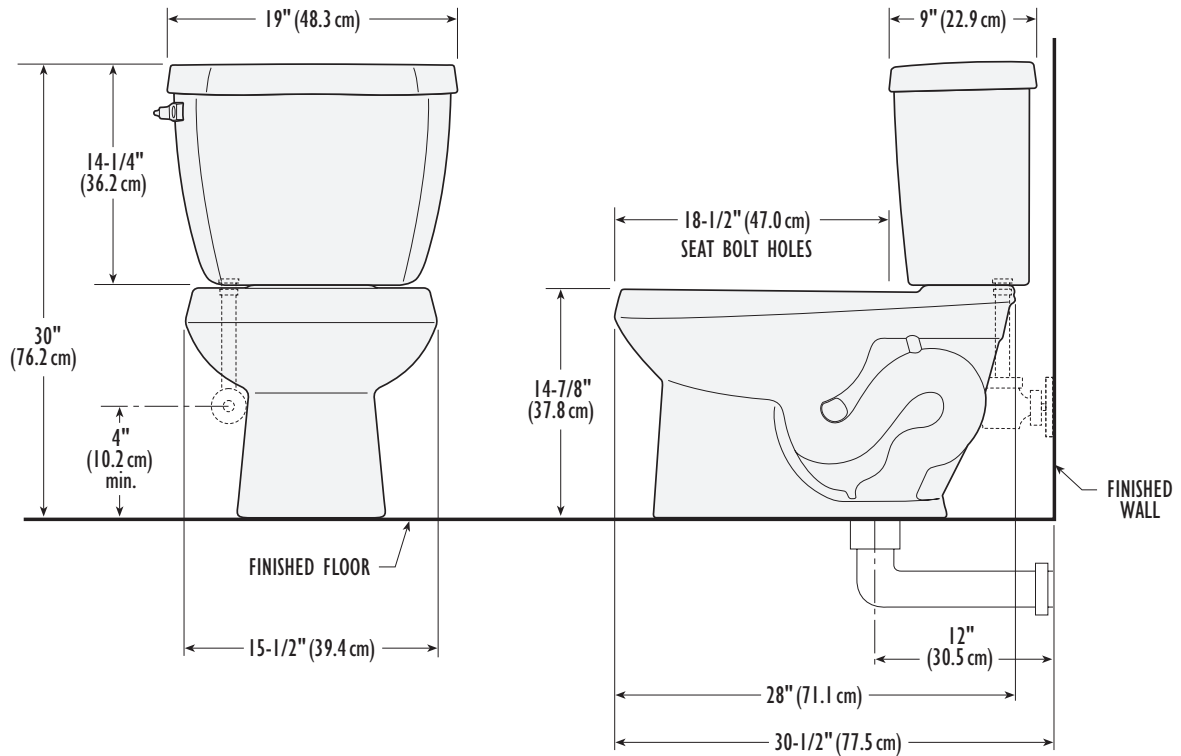


# VIENNA EL

Model 3113-3464

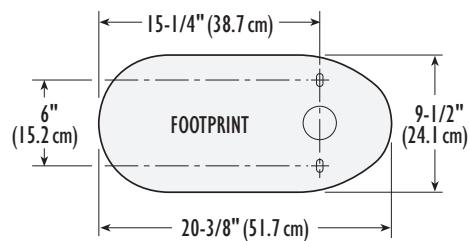
## DIMENSIONS

**IMPORTANT:** Dimensions of fixtures are nominal and may vary within the range of tolerance established by the standards ASME A112.19.2 / CSA B45.1. These measurements are subject to change or cancellation. No responsibility is assumed for use of superseded or voided pages.



## SPECIFICATIONS

3113-V	Elongated Bowl	48 Lbs.
3464-V	12" Rough-In Tank	34 Lbs.
3465-V	10" Rough-In Tank	30 Lbs.
3466-V	14" Rough-In Tank	38 Lbs.
3467-V	12" Right-Hand Flush	34 Lbs.
3464-R	12" Rough-In Tank with Pilot Valve	34 Lbs.
3464-L	12" Rough-In Insulated Tank (White LH Flush)	35 Lbs.
3464-S	12" Rough-In Insulated Tank with Pilot Valve	35 Lbs.



## COLORS

02: White

Other: Refer to price book for additional colors/finishes

Color number is indicated between part number and letter suffix (i.e. 3464-02-V)



**U.S. CUSTOMER SERVICE**  
Toll Free: 866-821-2811  
customerservice@vortens.com  
ussales@vortens.com  
www.vortens.com

**CANADIAN CUSTOMER SERVICE**  
Toll Free: 866-363-1365  
canadiansales@vortens.com  
www.vortens.com



# VIENNA RF

Model 3208-3464



## FEATURES

2-1/8" Fully Glazed Trapway –  
Passes a 2" Ball

Powerful & Efficient 1.6 gpf/6.0 lpf

Flushes 600 grams of solids per  
MaP test

8" x 7" Water Surface

5-Year Warranty on Vitreous China

1-Year Warranty on Component  
and/or Accessory Parts

V-Gloss™ High-Gloss Vitreous China –  
Durable, Nonporous

Bowl Shape Compatible with Bemis®  
70, 500 & 600 Toilet Seats

## SPECIFICATIONS

3208-V	Round Front Bowl	41 Lbs.
--------	------------------	---------

3464-V	12" Rough-In Tank	34 Lbs.
--------	-------------------	---------

See other side for additional options.

Meets ASME A112.19.2 / CSA B45.1  
Seat Not Included

THE PROVEN LEADER  
IN FLUSHING PERFORMANCE™

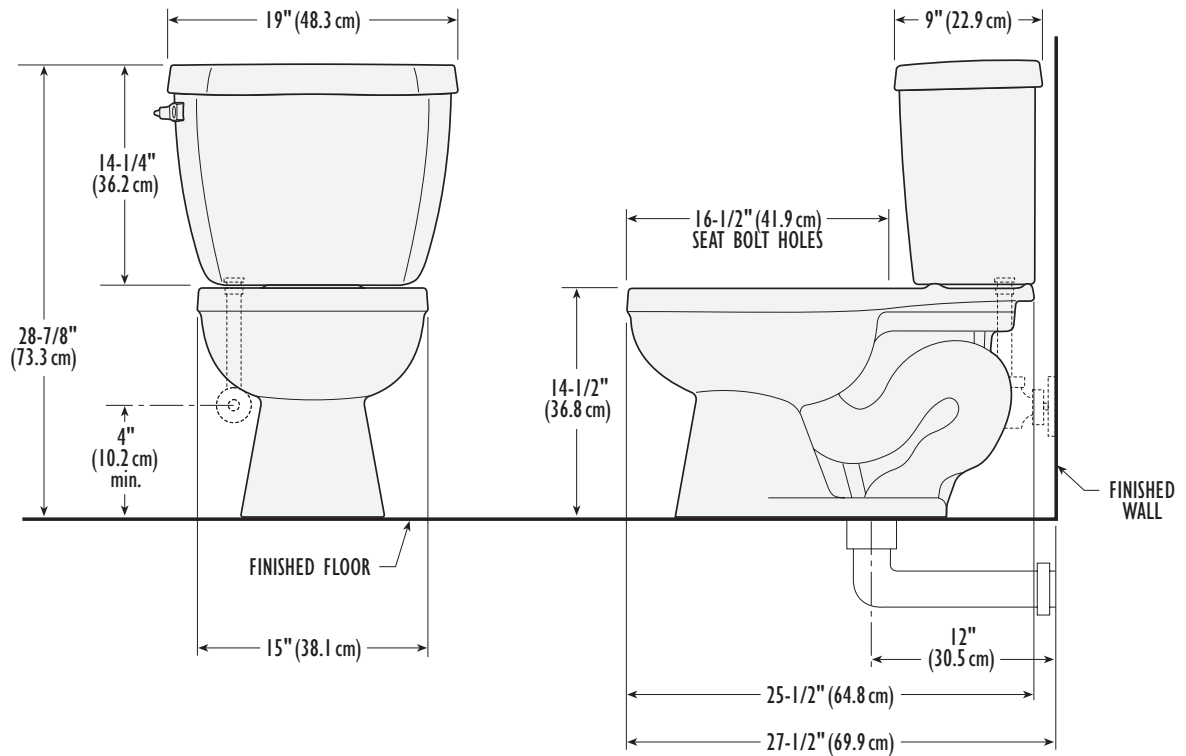


# VIENNA RF

Model 3208-3464

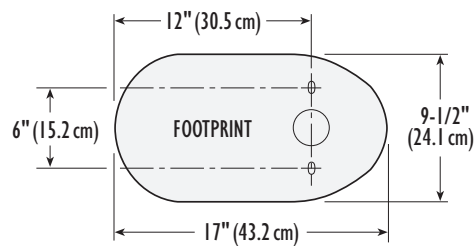
## DIMENSIONS

**IMPORTANT:** Dimensions of fixtures are nominal and may vary within the range of tolerance established by the standards ASME A112.19.2 / CSA B45.1. These measurements are subject to change or cancellation. No responsibility is assumed for use of superseded or voided pages.



## SPECIFICATIONS

3208-V	Round Front Bowl	41 Lbs.
3209-V	Round Front Large Footprint Bowl	43 Lbs.
3464-V	12" Rough-In Tank	34 Lbs.
3465-V	10" Rough-In Tank	30 Lbs.
3466-V	14" Rough-In Tank	38 Lbs.
3467-V	12" Right-Hand Flush	34 Lbs.
3464-R	12" Rough-In Tank with Pilot Valve	34 Lbs.
3464-VS	12" Rough-In Tank SPS Compliant	34 lbs.
3464-L	12" Rough-In Insulated Tank (White LH Flush)	35 lbs.
3464-S	12" Rough-In Insulated Tank w/ Pilot Valve	35 lbs.
3464-LS	12" Rough-In Insulated Tank SPS Compliant	35 lbs.



## COLORS

02: White

Other: Refer to price book for additional colors/finishes

Color number is indicated between part number and letter suffix (i.e. 3464-02-V)



**U.S. CUSTOMER SERVICE**  
Toll Free: 866-821-2811  
customerservice@vortens.com  
ussales@vortens.com  
www.vortens.com

**CANADIAN CUSTOMER SERVICE**  
Toll Free: 866-363-1365  
canadiansales@vortens.com  
www.vortens.com



# REGENCY EL

Model 3104-3451



## FEATURES

2-1/8" Fully Glazed Trapway –  
Passes a 2" Ball

Powerful & Efficient 1.6 gpf/6.0 lpf

Equipped with – Pilot Valve

Flushes 500 grams of solids

Victorian Style with Side-Mounted,  
Chrome-Plated Metal Flush Lever

Part of the Regency Suite

9" x 8-1/2" Water Surface

5-Year Warranty on Vitreous China

3-Year Warranty on Component  
and/or Accessory Parts

V-Gloss™ High-Gloss Vitreous China –  
Durable, Nonporous

Bowl Shape Compatible with Bemis®  
170, 1200, 1600 & 1800 Toilet Seats

## SPECIFICATIONS

3104-V	Elongated Bowl	52 Lbs.
3451-V	12" Rough-In Tank	35 Lbs.



Meets ASME A112.19.2 / CSA B45.1  
Seat Not Included

THE PROVEN LEADER  
IN FLUSHING PERFORMANCE™

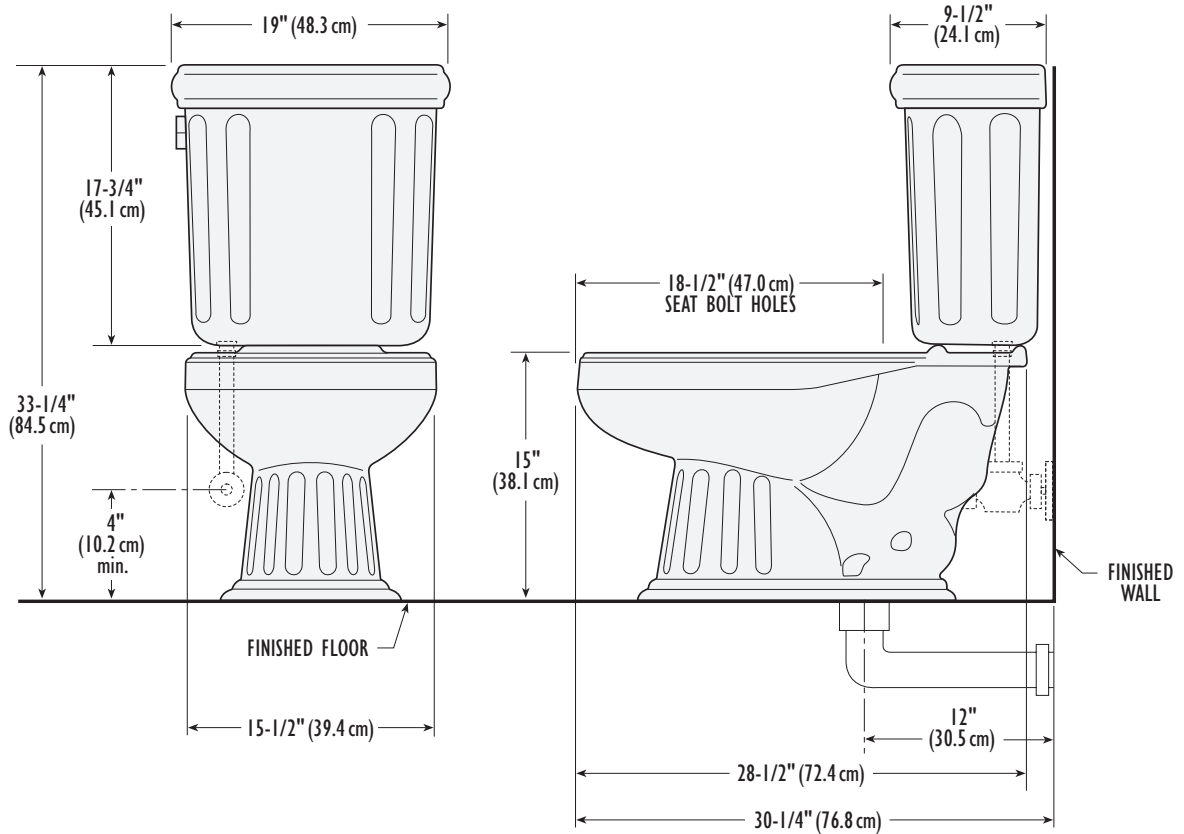
Vortens®  
TM

# REGENCY EL

Model 3104-3451

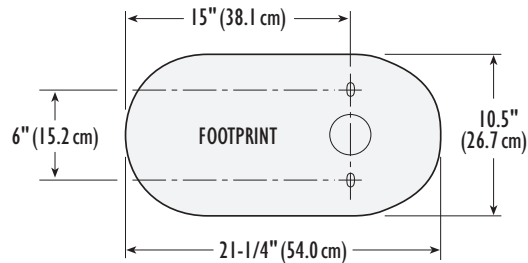
## DIMENSIONS

**IMPORTANT:** Dimensions of fixtures are nominal and may vary within the range of tolerance established by the standards ASME A112.19.2 / CSA B45.1. These measurements are subject to change or cancellation. No responsibility is assumed for use of superseded or voided pages.



## SPECIFICATIONS

3104-V	Elongated Bowl	52 Lbs.
3451-V	12" Rough-In Tank	35 Lbs.



## COLORS

02: White

Other: Refer to price book for additional colors/finishes

Color number is indicated between part number and letter suffix (i.e. 3464-02-V)



**U.S. CUSTOMER SERVICE**  
 Toll Free: 866-821-2811  
 customerservice@vortens.com  
 ussales@vortens.com  
 www.vortens.com

**CANADIAN CUSTOMER SERVICE**  
 Toll Free: 866-363-1365  
 canadiansales@vortens.com  
 www.vortens.com





# REGENCY RF

Model 3102-3450



## FEATURES

2-1/8" Fully Glazed Trapway –  
Passes a 2" Ball

Powerful & Efficient 1.6 gpf/6.0 lpf

Equipped with – Pilot Valve

Flushes 500 grams of solids

Victorian Style with Side-Mounted,  
Chrome-Plated Metal Flush Lever

Part of the Regency Suite

10" x 8" Water Surface

5-Year Warranty on Vitreous China

3-Year Warranty on Component  
and/or Accessory Parts

V-Gloss™ High-Gloss Vitreous China –  
Durable, Nonporous

Bowl Shape Compatible with Bemis®  
170, 500 & 600 Toilet Seats

## SPECIFICATIONS

3102-V	Round Front Bowl	45 Lbs.
3450-V	12" Rough-In Tank	37 Lbs.
3450-L	12" Rough-In Insulated Tank	38 Lbs.



Meets ASME A112.19.2 / CSA B45.1  
Seat Not Included

THE PROVEN LEADER  
IN FLUSHING PERFORMANCE™

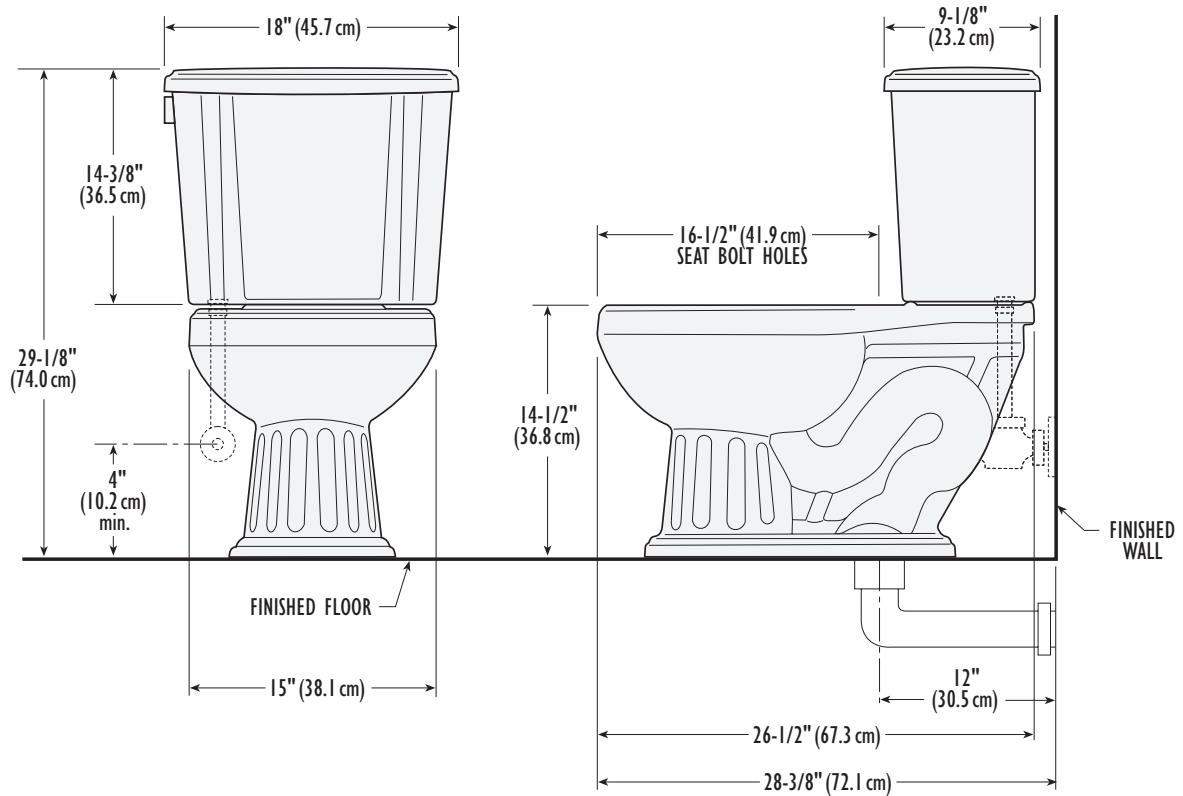
Vortens®  
TM

# REGENCY RF

Model 3102-3450

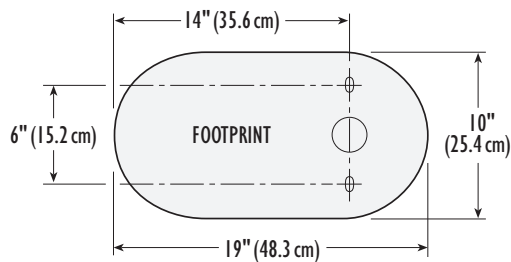
## DIMENSIONS

**IMPORTANT:** Dimensions of fixtures are nominal and may vary within the range of tolerance established by the standards ASME A112.19.2 / CSA B45.1. These measurements are subject to change or cancellation. No responsibility is assumed for use of superseded or voided pages.



## SPECIFICATIONS

3102-V	Round Front Bowl	45 Lbs.
3450-V	12" Rough-In Tank	37 Lbs.
3450-L	12" Rough-In Insulated Tank	38 Lbs.



## COLORS

02: White

Other: Refer to price book for additional colors/finishes

Color number is indicated between part number and letter suffix (i.e. 3464-02-V)



**U.S. CUSTOMER SERVICE**  
Toll Free: 866-821-2811  
customerservice@vortens.com  
ussales@vortens.com  
www.vortens.com

**CANADIAN CUSTOMER SERVICE**  
Toll Free: 866-363-1365  
canadiansales@vortens.com  
www.vortens.com



# GENOVA EL

Model 3121-3421



## FEATURES

2-1/8" Fully Glazed Trapway –  
Passes a 2" Ball

Powerful & Efficient 1.6 gpf/6.0 lpf

Equipped with – Pilot Valve

Flushes 500 grams of solids

Contemporary Style with Side-  
Mounted, Chrome-Plated Metal  
Flush Lever

Part of the Genova Suite

9" x 8" Water Surface

5-Year Warranty on Vitreous China

3-Year Warranty on Component  
and/or Accessory Parts

V-Gloss™ High-Gloss Vitreous China –  
Durable, Nonporous

Bowl Shape Compatible with Bemis®  
170, 1200, 1600 & 1800 Toilet Seats

## SPECIFICATIONS

3121-V Elongated Bowl 50 Lbs.

3421-V 12" Rough-In Tank 33 Lbs.



Meets ASME A112.19.2 / CSA B45.1  
Seat Not Included

THE PROVEN LEADER  
IN FLUSHING PERFORMANCE™

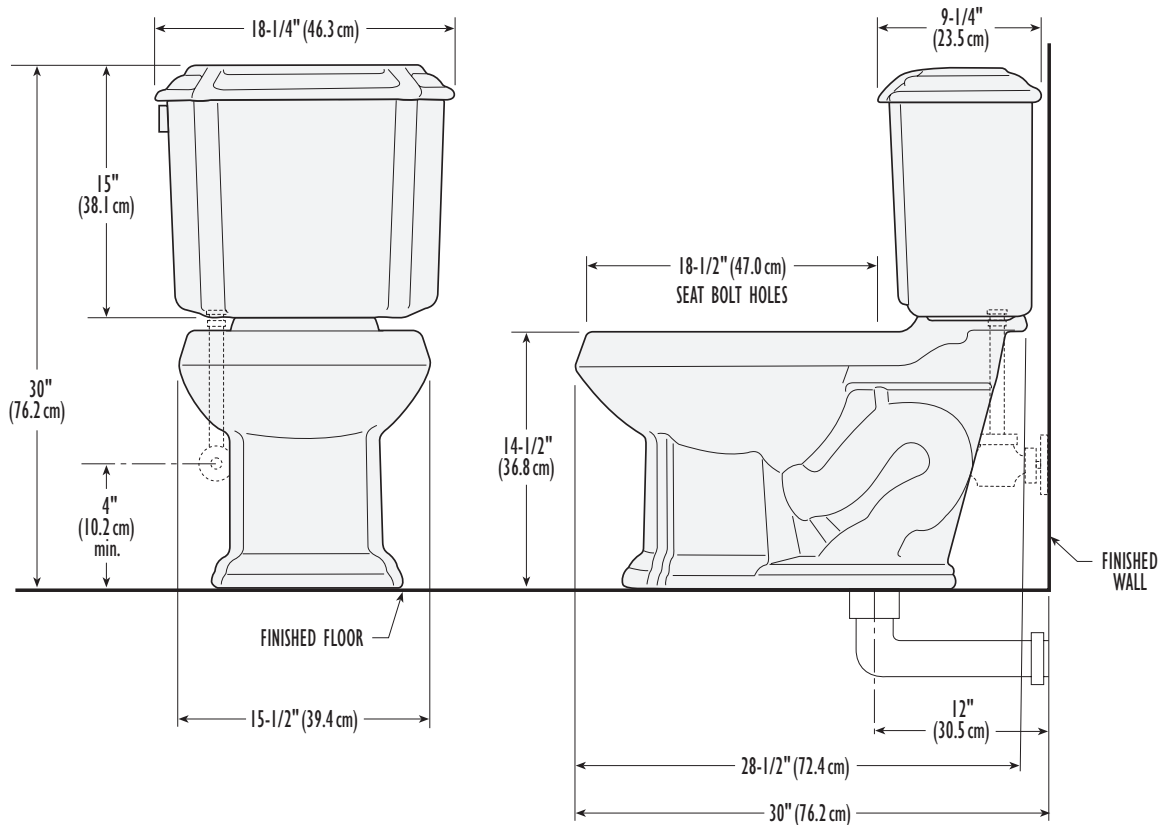


# GENOVA EL

Model 3121-3421

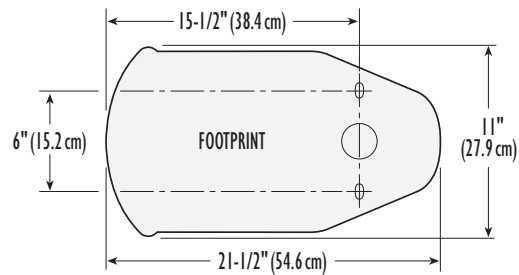
## DIMENSIONS

**IMPORTANT:** Dimensions of fixtures are nominal and may vary within the range of tolerance established by the standards ASME A112.19.2 / CSA B45.1. These measurements are subject to change or cancellation. No responsibility is assumed for use of superseded or voided pages.



## SPECIFICATIONS

3121-V	Elongated Bowl	50 Lbs.
3421-V	12" Rough-In Tank	33 Lbs.



## COLORS

02: White

Other: Refer to price book for additional colors/finishes

Color number is indicated between part number and letter suffix (i.e. 3464-02-V)



**U.S. CUSTOMER SERVICE**  
Toll Free: 866-821-2811  
customerservice@vortens.com  
ussales@vortens.com  
www.vortens.com

**CANADIAN CUSTOMER SERVICE**  
Toll Free: 866-363-1365  
canadiansales@vortens.com  
www.vortens.com



# VELEZZA EL

Model 3106-3416



## FEATURES

2-1/8" Fully Glazed Trapway – Passes a 2" Ball

Powerful & Efficient 1.6 gpf/6.0 lpf

Equipped with – Pilot Valve

Flushes 600 grams of solids

Skirted Bowl with Concealed Trap for Easy Cleaning

Side-Mounted, Chrome-Plated Metal Flush Lever

9-1/2" x 8" Water Surface

Part of the Velezza Suite

5-Year Warranty on Vitreous China

1-Year Warranty on Component and/or Accessory Parts

V-Gloss™ High-Gloss Vitreous China – Durable, Nonporous

Bowl Shape Compatible with Bemis® I240205 Toilet Seat

## SPECIFICATIONS

3106-V	Elongated Bowl	76 Lbs.
3416-V	12" Rough-In Tank	35 Lbs.

Meets ASME A112.19.2 / CSA B45.1  
Seat Not Included

THE PROVEN LEADER  
IN FLUSHING PERFORMANCE™

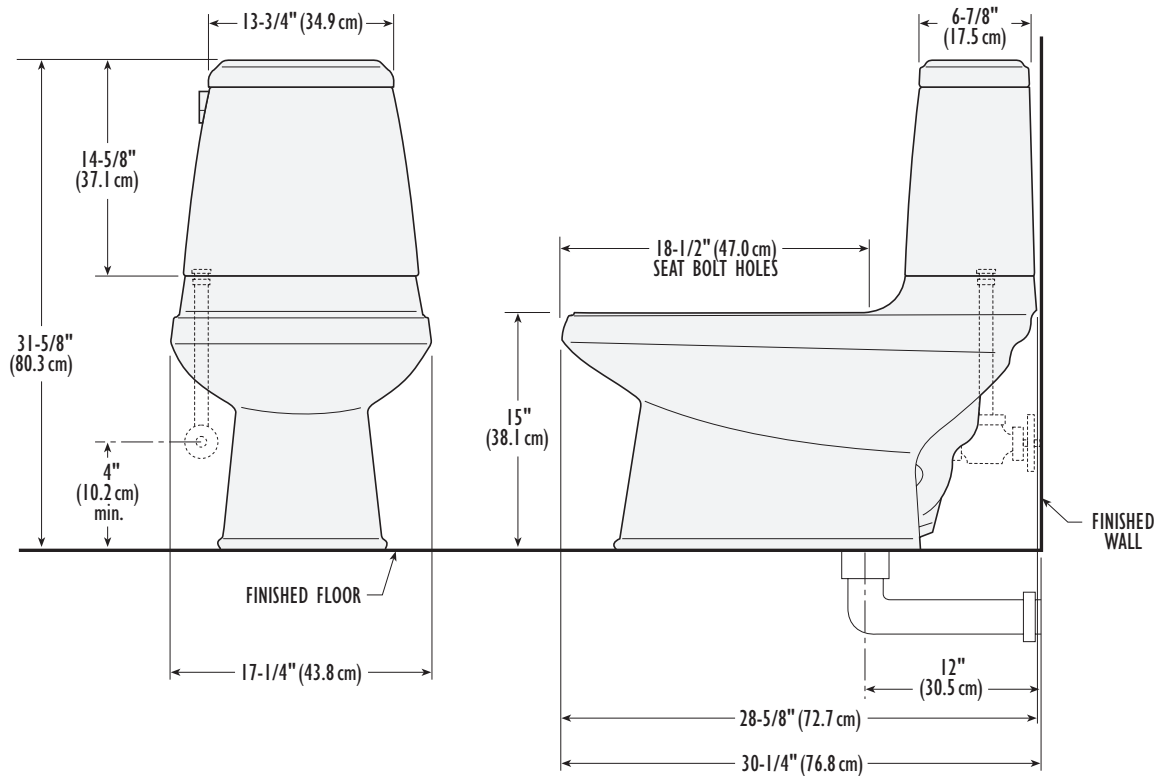


# VELEZZA EL

Model 3106-3416

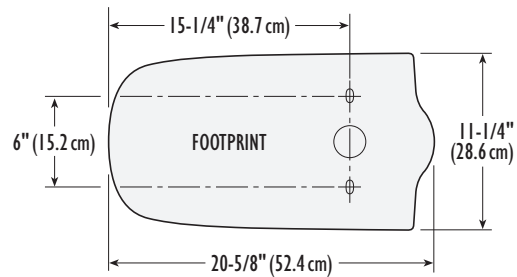
## DIMENSIONS

**IMPORTANT:** Dimensions of fixtures are nominal and may vary within the range of tolerance established by the standards ASME A112.19.2 / CSA B45.1. These measurements are subject to change or cancellation. No responsibility is assumed for use of superseded or voided pages.



## SPECIFICATIONS

3106-V	Elongated Bowl	76 Lbs.
3416-V	12" Rough-In Tank	35 Lbs.



## COLORS

02: White

Other: Refer to price book for additional colors/finishes

Color number is indicated between part number and letter suffix (i.e. 3464-02-V)



**U.S. CUSTOMER SERVICE**  
 Toll Free: 866-821-2811  
 customerservice@vortens.com  
 ussales@vortens.com  
 www.vortens.com

**CANADIAN CUSTOMER SERVICE**  
 Toll Free: 866-363-1365  
 canadiansales@vortens.com  
 www.vortens.com



# PALERMO EL

Model 3126



## FEATURES

2-1/8" Fully Glazed Trapway –  
Passes a 2" Ball

Powerful & Efficient 1.6 gpf/6.0 lpf

Equipped with – Pilot Valve

Flushes 600 grams of solids

Skirted Bowl with Concealed Trap  
for Easy Cleaning

Side-Mounted, Chrome-Plated  
Metal Flush Lever

Slow-Close Toilet Seat Included

9-1/2" x 8" Water Surface

5-Year Warranty on Vitreous China

3-Year Warranty on Component  
and/or Accessory Parts

V-Gloss™ High-Gloss Vitreous China –  
Durable, Nonporous

Bowl Shape Compatible with Bemis®  
I240205 Toilet Seat

## SPECIFICATIONS

3126-V	One-Piece Elongated Toilet	110 Lbs.
--------	-------------------------------	----------

Meets ASME A112.19.2 / CSA B45.1  
Seat Not Included

THE PROVEN LEADER  
IN FLUSHING PERFORMANCE™

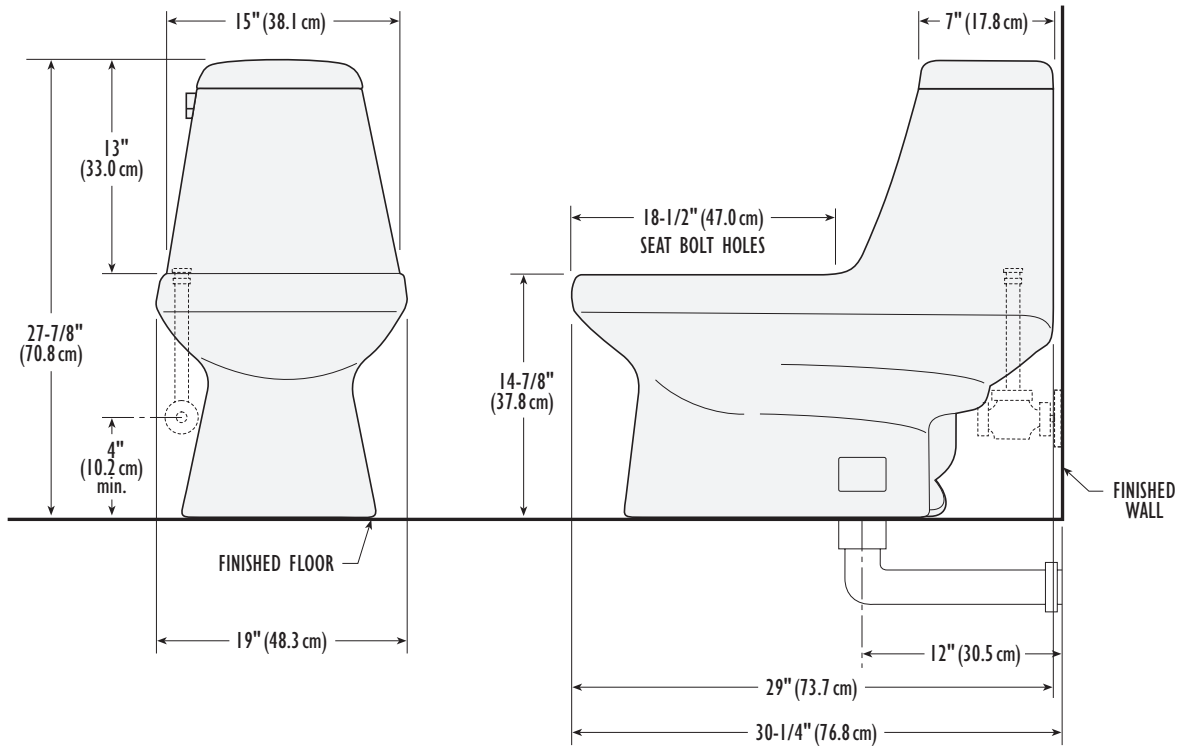


# PALERMO EL

Model 3126

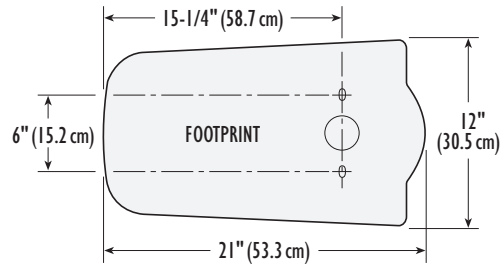
## DIMENSIONS

**IMPORTANT:** Dimensions of fixtures are nominal and may vary within the range of tolerance established by the standards ASME A112.19.2 / CSA B45.1. These measurements are subject to change or cancellation. No responsibility is assumed for use of superseded or voided pages.



## SPECIFICATIONS

3126-V One-Piece Elongated Toilet 110 Lbs.



## COLORS

02: White

Other: Refer to price book for additional colors/finishes

Color number is indicated between part number and letter suffix (i.e. 3464-02-V)



**U.S. CUSTOMER SERVICE**  
Toll Free: 866-821-2811  
customerservice@vortens.com  
ussales@vortens.com  
www.vortens.com

**CANADIAN CUSTOMER SERVICE**  
Toll Free: 866-363-1365  
canadiansales@vortens.com  
www.vortens.com





# Vortens®

ALL PERFORMANCE.  
NO PROBLEMS.



THE PROVEN LEADER  
IN FLUSHING PERFORMANCE™

SUITES

# MANCHESTER SUITE

Toilet 3107-3427

Lavatory 3327-3307



With the two-button Dual-Flush System control you can select a powerful, efficient 1.6 gpf/6.0 lpf flush for solid waste or a 1.1 gpf/4.0 lpf for liquid waste.

## FEATURES

2-1/8" Fully Glazed Trapway

Dual-Flush, High-Efficiency Toilet (HET) with Powerful 1.6 gpf/6.0 lpf Flush and 1.1 gpf/4.0 lpf Flush

Equipped with – Pilot Valve

Flushes 600 grams of solids

Classic design with metal push button on top of tank

Ideal Height™ – 17" High

Hidden Front Overflow Lavatory

Contemporary-Style Lavatory

5-Year Warranty on Vitreous China

3-Year Warranty on Component and/or Accessory Parts

V-Gloss™ High-Gloss Vitreous China – Durable, Nonporous

## SPECIFICATIONS

3107-V	Elongated Bowl	66 Lbs.
3427-V	12" Rough-In Dual-Flush Tank	32 Lbs.
3327-V	8" Basin	43 Lbs.
3307-V	Pedestal	29 Lbs.

Meets ASME A112.19.2 / CSA B45.1  
Seat and Faucet Not Included

THE PROVEN LEADER  
IN FLUSHING PERFORMANCE™

Vortens®

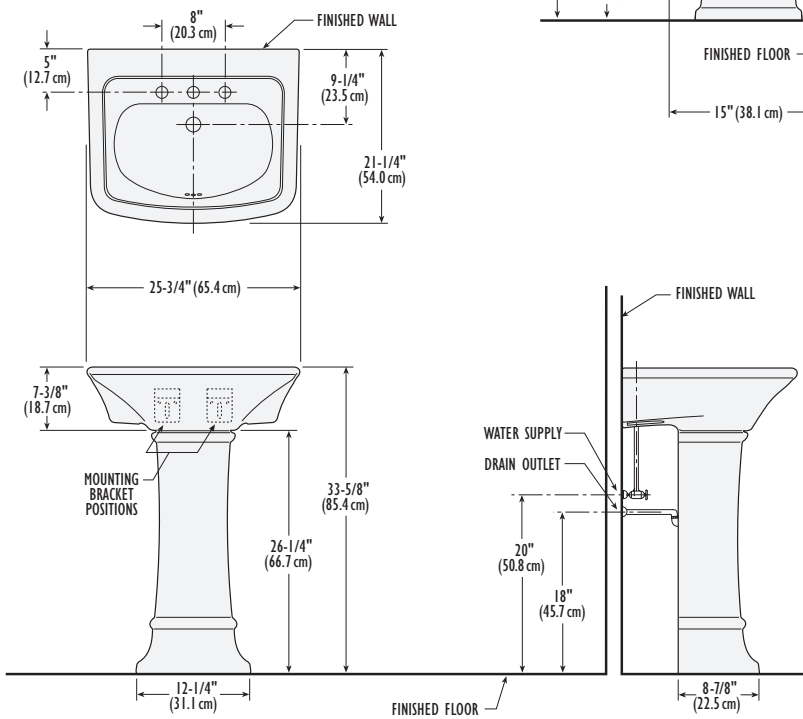
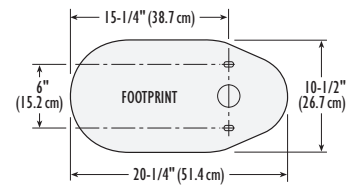
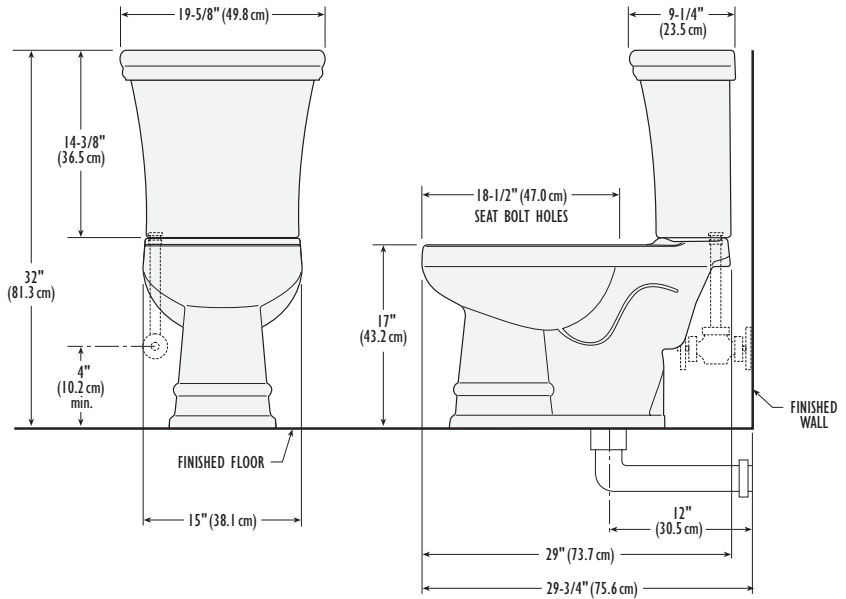
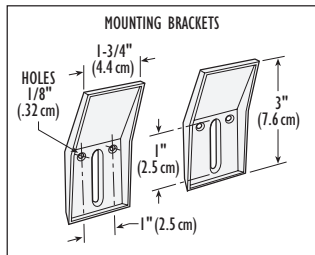
# MANCHESTER SUITE

Toilet 3107-3427

Lavatory 3327-3307

**IMPORTANT:** Dimensions of fixtures are nominal and may vary within the range of tolerance established by the standards ASME A112.19.2 / CSA B45.1. These measurements are subject to change or cancellation. No responsibility is assumed for use of superseded or voided pages.

## DIMENSIONS



## SPECIFICATIONS

3107-V	Elongated Bowl	66 Lbs.
3427-V	12" Rough-In Dual-Flush Tank	32 Lbs.
3327-V	8" Basin	43 Lbs.
3307-V	Pedestal	29 Lbs.

## COLORS

02: White

Other: Refer to price book for additional colors/finishes

Color number is indicated between part number and letter suffix (i.e. 3464-02-V)



### U.S. CUSTOMER SERVICE

Toll Free: 866-821-2811  
 customerservice@vortens.com  
 ussales@vortens.com  
 www.vortens.com

### CANADIAN CUSTOMER SERVICE

Toll Free: 866-363-1365  
 canadiansales@vortens.com  
 www.vortens.com



# REGENCY EL SUITE

Toilet 3104-3451

Lavatory 3504-3514



## FEATURES

2-1/8" Fully Glazed Trapway –  
Passes a 2" Ball

Powerful & Efficient 1.6 gpf/6.0 lpf

Equipped with – Pilot Valve

Flushes 500 grams of solids

Victorian Style with Side-Mounted,  
Chrome-Plated Metal Flush Lever

9" x 8-1/2" Water Surface

Hidden Front Overflow Lavatory

Victorian-Style Lavatory

5-Year Warranty on Vitreous China

3-Year Warranty on Component  
and/or Accessory Parts

V-Gloss™ High-Gloss Vitreous China –  
Durable, Nonporous

## SPECIFICATIONS

3104-V	Elongated Bowl	52 Lbs.
3451-V	12" Rough-In Tank	35 Lbs.
3504-V	4" Basin	48 Lbs.
3514-V	Pedestal	29 Lbs.

See other side for additional options.



Meets ASME A112.19.2 / CSA B45.1  
Seat and Faucet Not Included

THE PROVEN LEADER  
IN FLUSHING PERFORMANCE™

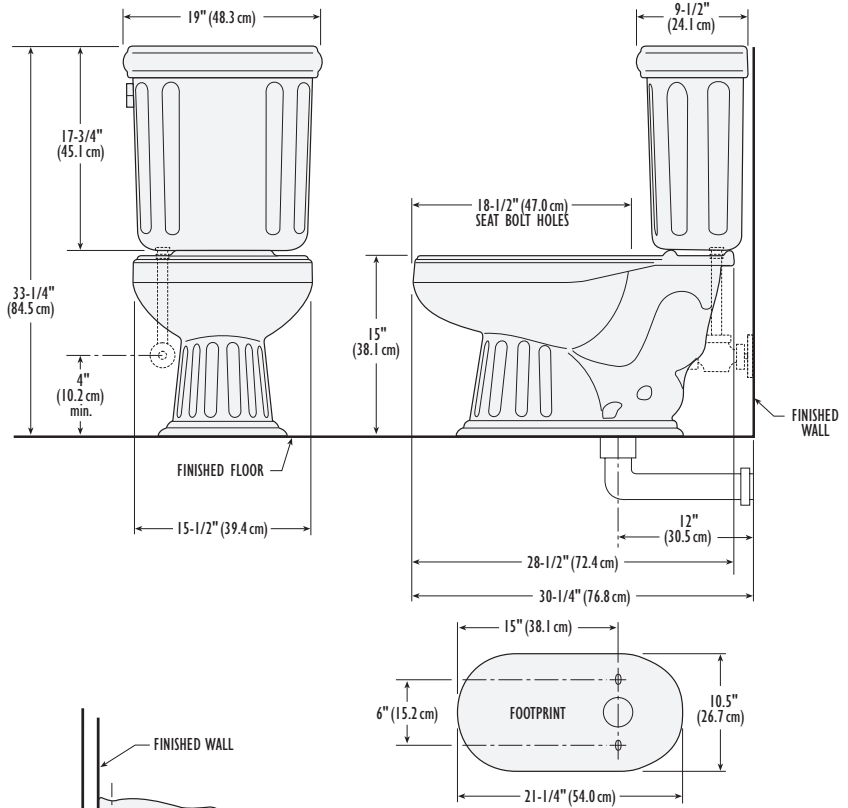
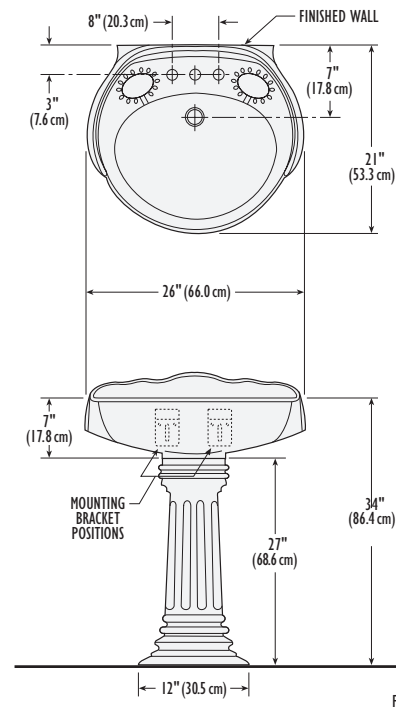
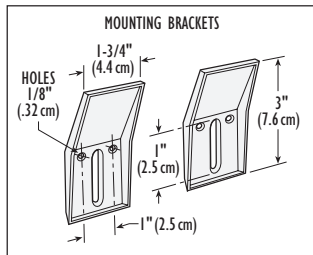
Vortens®  
TM

# REGENCY EL SUITE

Toilet 3104-3451

Lavatory 3504-3514

## DIMENSIONS



## SPECIFICATIONS

3104-V	Elongated Bowl	52 Lbs.
3451-V	12" Rough-In Tank	35 Lbs.
3504-V	4" Basin	48 Lbs.
3543-V	8" Basin	48 Lbs.
3544-V	Single Hole Basin	48 Lbs.
3514-V	Pedestal	29 Lbs.

## COLORS

02: White

Other: Refer to price book for additional colors/finishes

Color number is indicated between part number and letter suffix (i.e. 3464-02-V)



### U.S. CUSTOMER SERVICE

Toll Free: 866-821-2811  
 customerservice@vortens.com  
 ussales@vortens.com  
 www.vortens.com

### CANADIAN CUSTOMER SERVICE

Toll Free: 866-363-1365  
 canadiansales@vortens.com  
 www.vortens.com





# REGENCY RF SUITE

Toilet 3102-3450

Lavatory 3504-3514



## FEATURES

2-1/8" Fully Glazed Trapway –  
Passes a 2" Ball

Powerful & Efficient 1.6 gpf/6.0 lpf

Equipped with – Pilot Valve

Flushes 500 grams of solids

Victorian Style with Side-Mounted,  
Chrome-Plated Metal Flush Lever

10" x 8" Water Surface

Hidden Front Overflow Lavatory

Victorian-Style Lavatory

5-Year Warranty on Vitreous China

3-Year Warranty on Component  
and/or Accessory Parts

V-Gloss™ High-Gloss Vitreous China –  
Durable, Nonporous

## SPECIFICATIONS

3102-V	Round Front Bowl	45 Lbs.
3450-V	12" Rough-In Tank	37 Lbs.
3504-V	4" Basin	48 Lbs.
3514-V	Pedestal	29 Lbs.

See other side for additional options.



Meets ASME A112.19.2 / CSA B45.1  
Seat and Faucet Not Included

THE PROVEN LEADER  
IN FLUSHING PERFORMANCE™

Vortens®  
TM

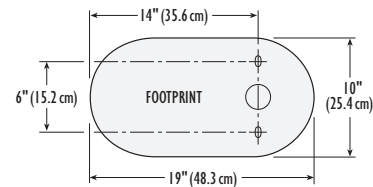
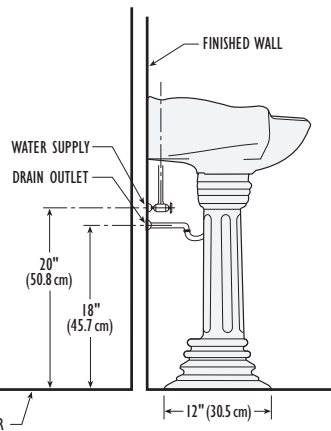
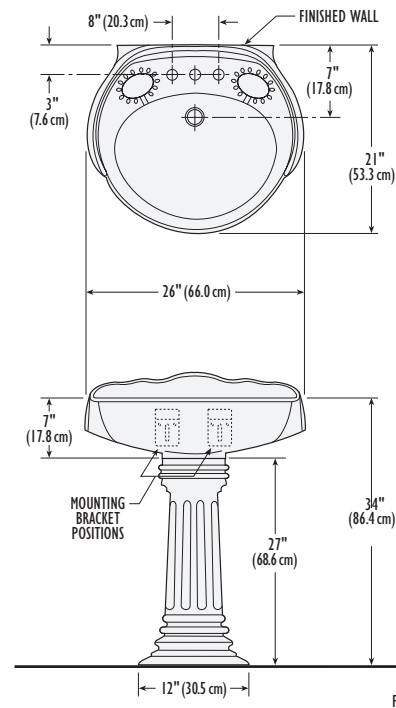
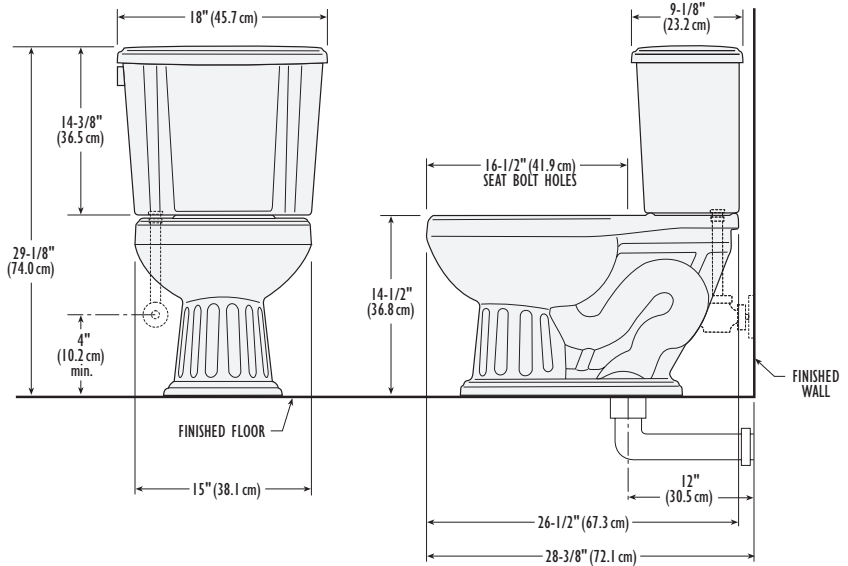
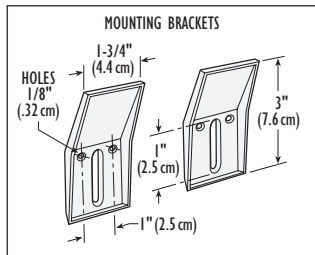
# REGENCY RF SUITE

Toilet 3102-3450

Lavatory 3504-3514

## DIMENSIONS

**IMPORTANT:** Dimensions of fixtures are nominal and may vary within the range of tolerance established by the standards ASME A112.19.2 / CSA B45.1. These measurements are subject to change or cancellation. No responsibility is assumed for use of superseded or voided pages.



## SPECIFICATIONS

3102-V	Round Front Bowl	45 Lbs.
3450-V	12" Rough-In Tank	37 Lbs.
3450-L	12" Rough-In Insulated Tank	38 Lbs.
3504-V	4" Basin	48 Lbs.
3543-V	8" Basin	48 Lbs.
3544-V	Single Hole Basin	48 Lbs.
3514-V	Pedestal	29 Lbs.

## COLORS

02: White

Other: Refer to price book for additional colors/finishes

Color number is indicated between part number and letter suffix (i.e. 3464-02-V)



### U.S. CUSTOMER SERVICE

Toll Free: 866-821-2811  
 customerservice@vortens.com  
 ussales@vortens.com  
 www.vortens.com

### CANADIAN CUSTOMER SERVICE

Toll Free: 866-363-1365  
 canadiansales@vortens.com  
 www.vortens.com



# GENOVA SUITE

Toilet 3121-3421

Lavatory 3556-3519



## FEATURES

2-1/8" Fully Glazed Trapway – Passes a 2" Ball

Powerful & Efficient 1.6 gpf/6.0 lpf

Equipped with – Pilot Valve

Flushes 500 grams of solids

Contemporary Style with Side-Mounted, Chrome-Plated Metal Flush Lever

9" x 8" Water Surface

Hidden Front Overflow Lavatory

Contemporary-Style Lavatory

5-Year Warranty on Vitreous China

3-Year Warranty on Component and/or Accessory Parts

V-Gloss™ High-Gloss Vitreous China – Durable, Nonporous

## SPECIFICATIONS

3121-V	Elongated Bowl	50 Lbs.
3421-V	12" Rough-In Tank	33 Lbs.
3556-V	4" Basin	44 Lbs.
3519-V	Pedestal	21 Lbs.

See other side for additional options.



Meets ASME A112.19.2 / CSA B45.1  
Seat and Faucet Not Included

THE PROVEN LEADER  
IN FLUSHING PERFORMANCE™

Vortens®  
TM



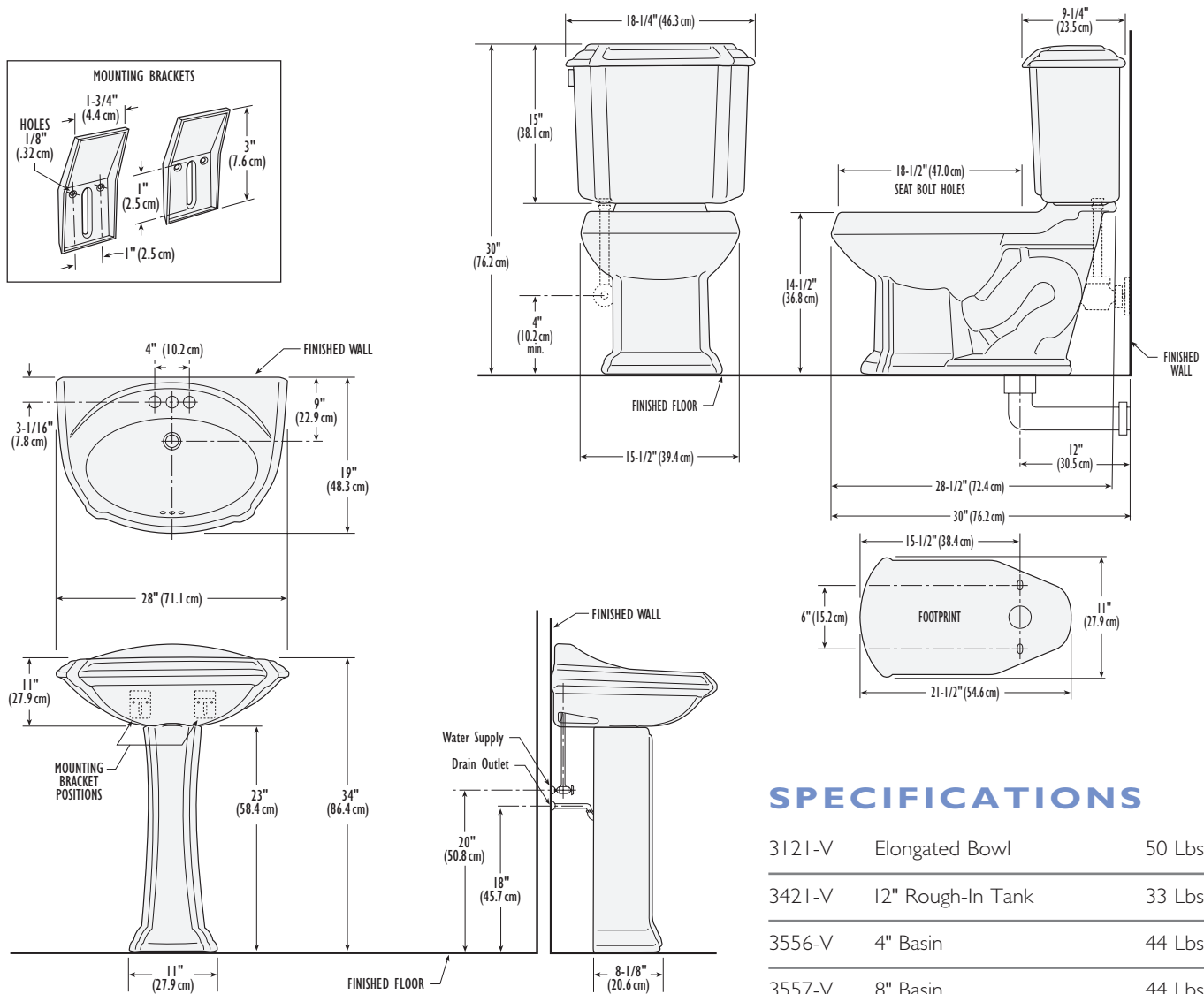
# GENOVA SUITE

Toilet 3121-3421

Lavatory 3556-3519

## DIMENSIONS

**IMPORTANT:** Dimensions of fixtures are nominal and may vary within the range of tolerance established by the standards ASME A112.19.2 / CSA B45.1. These measurements are subject to change or cancellation. No responsibility is assumed for use of superseded or voided pages.



## SPECIFICATIONS

3121-V	Elongated Bowl	50 Lbs.
3421-V	12" Rough-In Tank	33 Lbs.
3556-V	4" Basin	44 Lbs.
3557-V	8" Basin	44 Lbs.
3558-V	Single Hole Basin	44 Lbs.
3519-V	Pedestal	21 Lbs.

## COLORS

02: White

Other: Refer to price book for additional colors/finishes

Color number is indicated between part number and letter suffix (i.e. 3464-02-V)



### U.S. CUSTOMER SERVICE

Toll Free: 866-821-2811  
 customerservice@vortens.com  
 ussales@vortens.com  
 www.vortens.com

### CANADIAN CUSTOMER SERVICE

Toll Free: 866-363-1365  
 canadiansales@vortens.com  
 www.vortens.com



# VELEZZA SUITE

Toilet 3106-3416

Lavatory 3553-3518



## FEATURES

2-1/8" Fully Glazed Trapway –  
Passes a 2" Ball

Powerful & Efficient 1.6 gpf/6.0 lpf

Equipped with – Pilot Valve

Flushes 600 grams of solids

Skirted Bowl with Concealed Trap  
for Easy Cleaning

Side-Mounted, Chrome-Plated  
Metal Flush Lever

9-1/2" x 8" Water Surface

Hidden Front Overflow Lavatory

5-Year Warranty on Vitreous China

1-Year Warranty on Component  
and/or Accessory Parts

V-Gloss™ High-Gloss Vitreous China –  
Durable, Nonporous

## SPECIFICATIONS

3106-V	Elongated Bowl	76 Lbs.
3416-V	12" Rough-In Tank	35 Lbs.
3553-V	4" Basin	36 Lbs.
3518-V	Pedestal	21 Lbs.

See other side for additional options.

Meets ASME A112.19.2 / CSA B45.1  
Seat and Faucet Not Included

THE PROVEN LEADER  
IN FLUSHING PERFORMANCE™



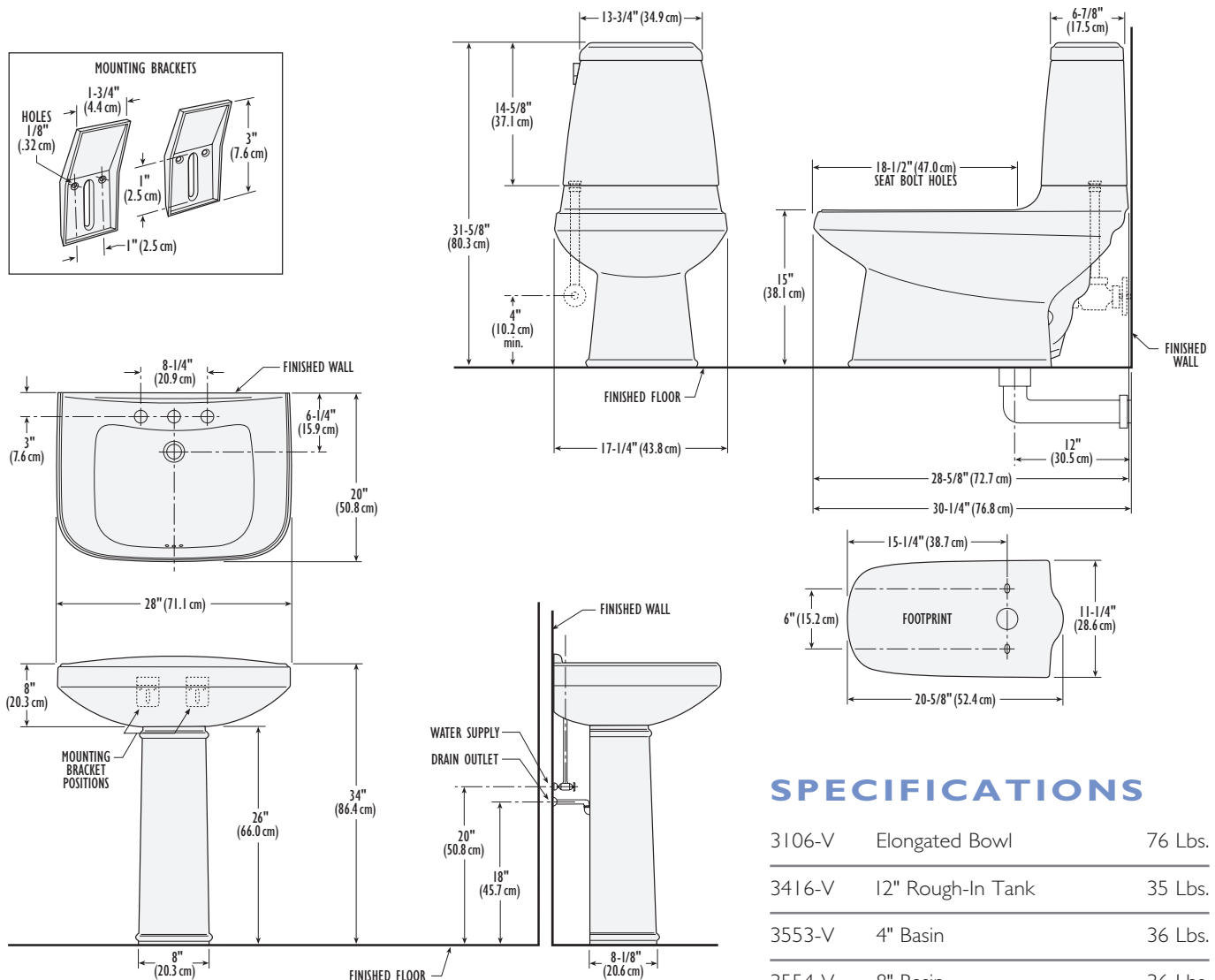
# VELEZZA SUITE

Toilet 3106-3416

Lavatory 3553-3518

## DIMENSIONS

**IMPORTANT:** Dimensions of fixtures are nominal and may vary within the range of tolerance established by the standards ASME A112.19.2 / CSA B45.1. These measurements are subject to change or cancellation. No responsibility is assumed for use of superseded or voided pages.



## SPECIFICATIONS

3106-V	Elongated Bowl	76 Lbs.
3416-V	12" Rough-In Tank	35 Lbs.
3553-V	4" Basin	36 Lbs.
3554-V	8" Basin	36 Lbs.
3555-V	Single Hole Basin	36 Lbs.
3518-V	Pedestal	21 Lbs.

## COLORS

02: White

Other: Refer to price book for additional colors/finishes

Color number is indicated between part number and letter suffix (i.e. 3464-02-V)



**U.S. CUSTOMER SERVICE**  
 Toll Free: 866-821-2811  
 customerservice@vortens.com  
 ussales@vortens.com  
 www.vortens.com

**CANADIAN CUSTOMER SERVICE**  
 Toll Free: 866-363-1365  
 canadiansales@vortens.com  
 www.vortens.com



*Vortens*<sup>®</sup>

ALL PERFORMANCE.  
NO PROBLEMS.



PEDESTAL LAVATORIES



THE PROVEN LEADER  
IN FLUSHING PERFORMANCE<sup>™</sup>

# MANCHESTER

Model 3327-3307



## FEATURES

Hidden Front Overflow

Contemporary-Style Lavatory

Part of the Manchester Suite

5-Year Warranty on Vitreous China

V-Gloss™ High-Gloss Vitreous China –  
Durable, Nonporous

## SPECIFICATIONS

3327-V	8" Basin	43 Lbs.
3307-V	Pedestal	29 Lbs.
Dimensions	25-3/4" x 21-1/4" x 33-5/8"	

Meets ASME A112.19.2 / CSA B45.1  
Faucet Not Included

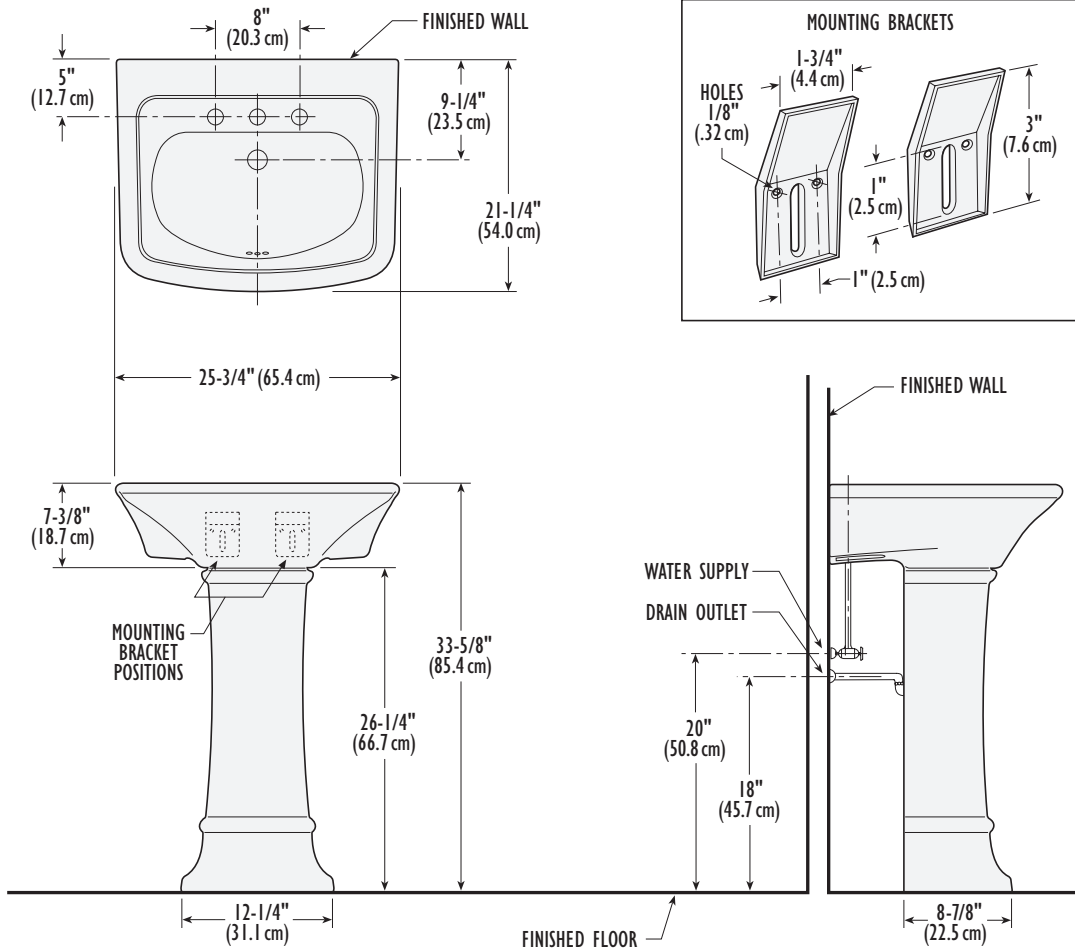
THE PROVEN LEADER  
IN FLUSHING PERFORMANCE™



# MANCHESTER

Model 3327-3307

## DIMENSIONS



**IMPORTANT:** Dimensions of fixtures are nominal and may vary within the range of tolerance established by the standards ASME A112.19.2 / CSA B45.1. These measurements are subject to change or cancellation. No responsibility is assumed for use of superseded or voided pages.

## SPECIFICATIONS

3327-V	8" Basin	43 Lbs.
3307-V	Pedestal	29 Lbs.
Dimensions	25-3/4" x 21-1/4" x 33-5/8"	

## COLORS

02: White

Other: Refer to price book for additional colors/finishes

Color number is indicated between part number and letter suffix (i.e. 3464-02-V)



**U.S. CUSTOMER SERVICE**  
 Toll Free: 866-821-2811  
 customerservice@vortens.com  
 ussales@vortens.com  
 www.vortens.com

**CANADIAN CUSTOMER SERVICE**  
 Toll Free: 866-363-1365  
 canadiansales@vortens.com  
 www.vortens.com



# REGENCY

Model 3504-3514



## FEATURES

Hidden Front Overflow

Victorian-Style Lavatory

Part of the Regency Suite

5-Year Warranty on Vitreous China

V-Gloss™ High-Gloss Vitreous China –  
Durable, Nonporous

## SPECIFICATIONS

3504-V	4" Basin	48 Lbs.
3543-V	8" Basin	48 Lbs.
3544-V	Single Hole Basin	48 Lbs.
3514-V	Pedestal	29 Lbs.
Dimensions	26" x 21" x 34"	

Meets ASME A112.19.2 / CSA B45.1  
Faucet Not Included

THE PROVEN LEADER  
IN FLUSHING PERFORMANCE™

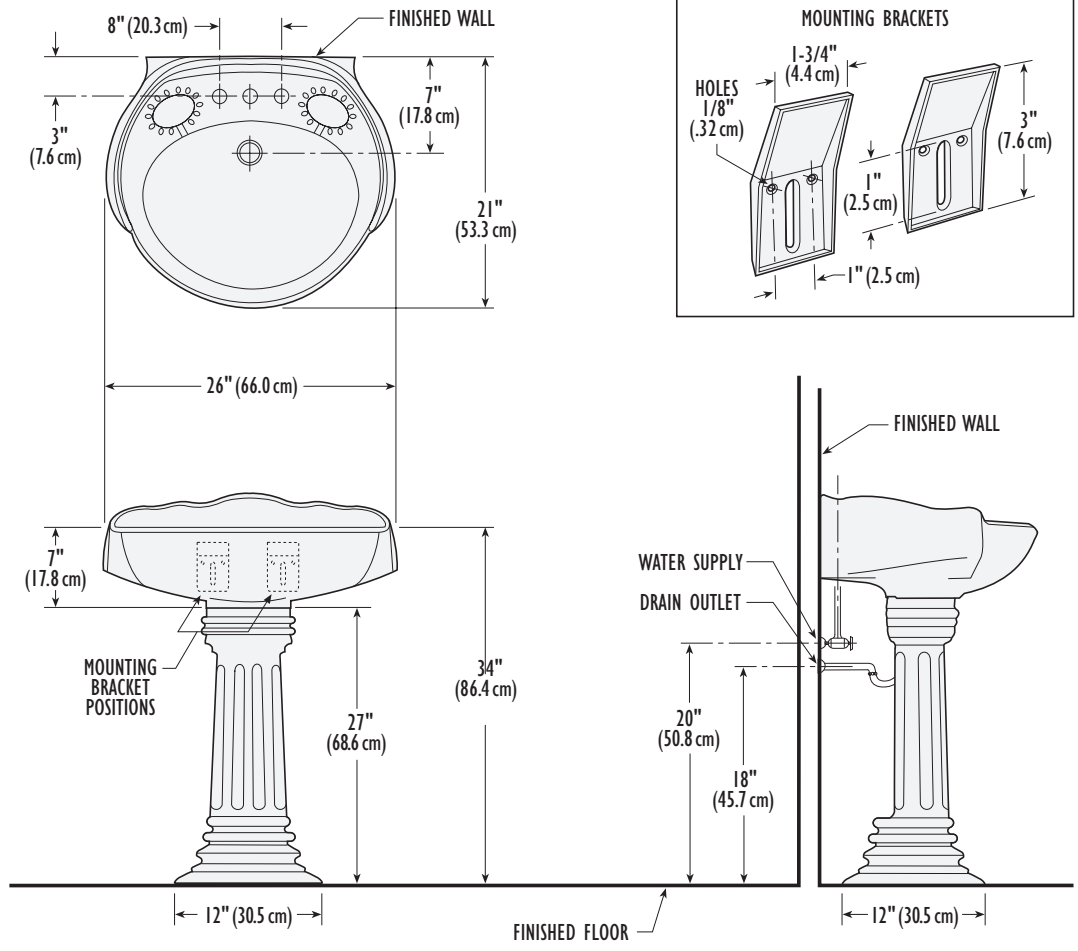




# REGENCY

Model 3504-3514

## DIMENSIONS



**IMPORTANT:** Dimensions of fixtures are nominal and may vary within the range of tolerance established by the standards ASME A112.19.2 / CSA B45.1. These measurements are subject to change or cancellation. No responsibility is assumed for use of superseded or voided pages.

## SPECIFICATIONS

3504-V	4" Basin	48 Lbs.
3543-V	8" Basin	48 Lbs.
3544-V	Single Hole Basin	48 Lbs.
3514-V	Pedestal	29 Lbs.
Dimensions	26" x 21" x 34"	

## COLORS

02: White

Other: Refer to price book for additional colors/finishes

Color number is indicated between part number and letter suffix (i.e. 3464-02-V)



**U.S. CUSTOMER SERVICE**  
Toll Free: 866-821-2811  
customerservice@vortens.com  
ussales@vortens.com  
www.vortens.com

**CANADIAN CUSTOMER SERVICE**  
Toll Free: 866-363-1365  
canadiansales@vortens.com  
www.vortens.com





# GENOVA

Model 3556-3519



## FEATURES

Hidden Front Overflow

Contemporary-Style Lavatory

Part of the Genova Suite

5-Year Warranty on Vitreous China

V-Gloss™ High-Gloss Vitreous China –  
Durable, Nonporous

## SPECIFICATIONS

3556-V	4" Basin	44 Lbs.
3557-V	8" Basin	44 Lbs.
3558-V	Single Hole Basin	44 Lbs.
3519-V	Pedestal	21 Lbs.
Dimensions		28" x 19" x 34"

Meets ASME A112.19.2 / CSA B45.1  
Faucet Not Included

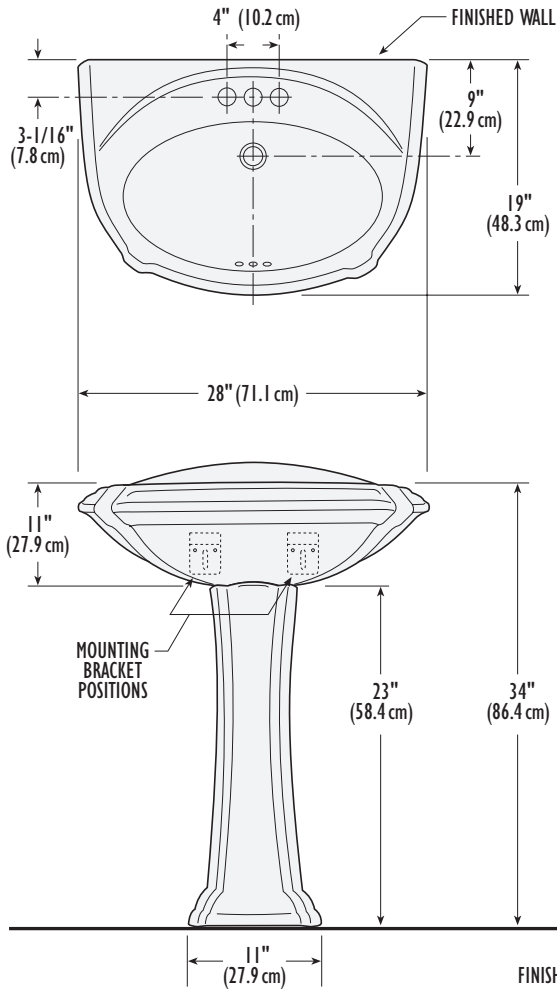
THE PROVEN LEADER  
IN FLUSHING PERFORMANCE™



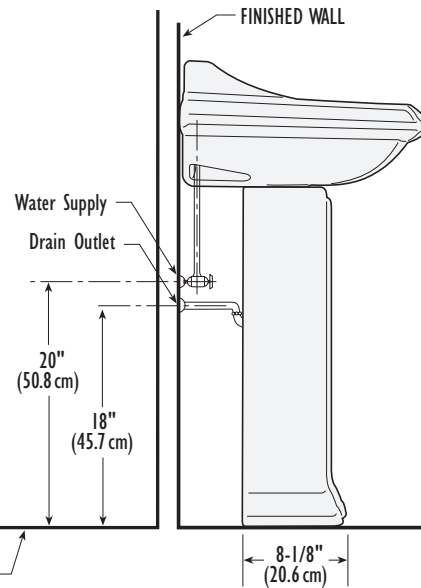
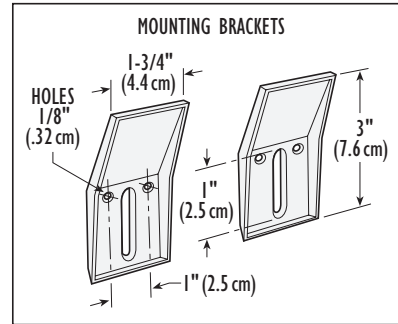
# GENOVA

Model 3556-3519

## DIMENSIONS



**IMPORTANT:** Dimensions of fixtures are nominal and may vary within the range of tolerance established by the standards ASME A112.19.2 / CSA B45.1. These measurements are subject to change or cancellation. No responsibility is assumed for use of superseded or voided pages.



## SPECIFICATIONS

3556-V	4" Basin	44 Lbs.
3557-V	8" Basin	44 Lbs.
3558-V	Single Hole Basin	44 Lbs.
3519-V	Pedestal	21 Lbs.
Dimensions	28" x 19" x 34"	

## COLORS

02: White

Other: Refer to price book for additional colors/finishes

Color number is indicated between part number and letter suffix (i.e. 3464-02-V)



### U.S. CUSTOMER SERVICE

Toll Free: 866-821-2811  
customerservice@vortens.com  
ussales@vortens.com  
www.vortens.com

### CANADIAN CUSTOMER SERVICE

Toll Free: 866-363-1365  
canadiansales@vortens.com  
www.vortens.com



# VELEZZA

Model 3553-3518



## FEATURES

Hidden Front Overflow

Part of the Velezza Suite

5-Year Warranty on Vitreous China

V-Gloss™ High-Gloss Vitreous China –  
Durable, Nonporous

## SPECIFICATIONS

3553-V	4" Basin	36 Lbs.
3554-V	8" Basin	36 Lbs.
3555-V	Single Hole Basin	36 Lbs.
3518-V	Pedestal	21 Lbs.
Dimensions	28" x 20" x 34"	

Meets ASME A112.19.2 / CSA B45.1  
Faucet Not Included

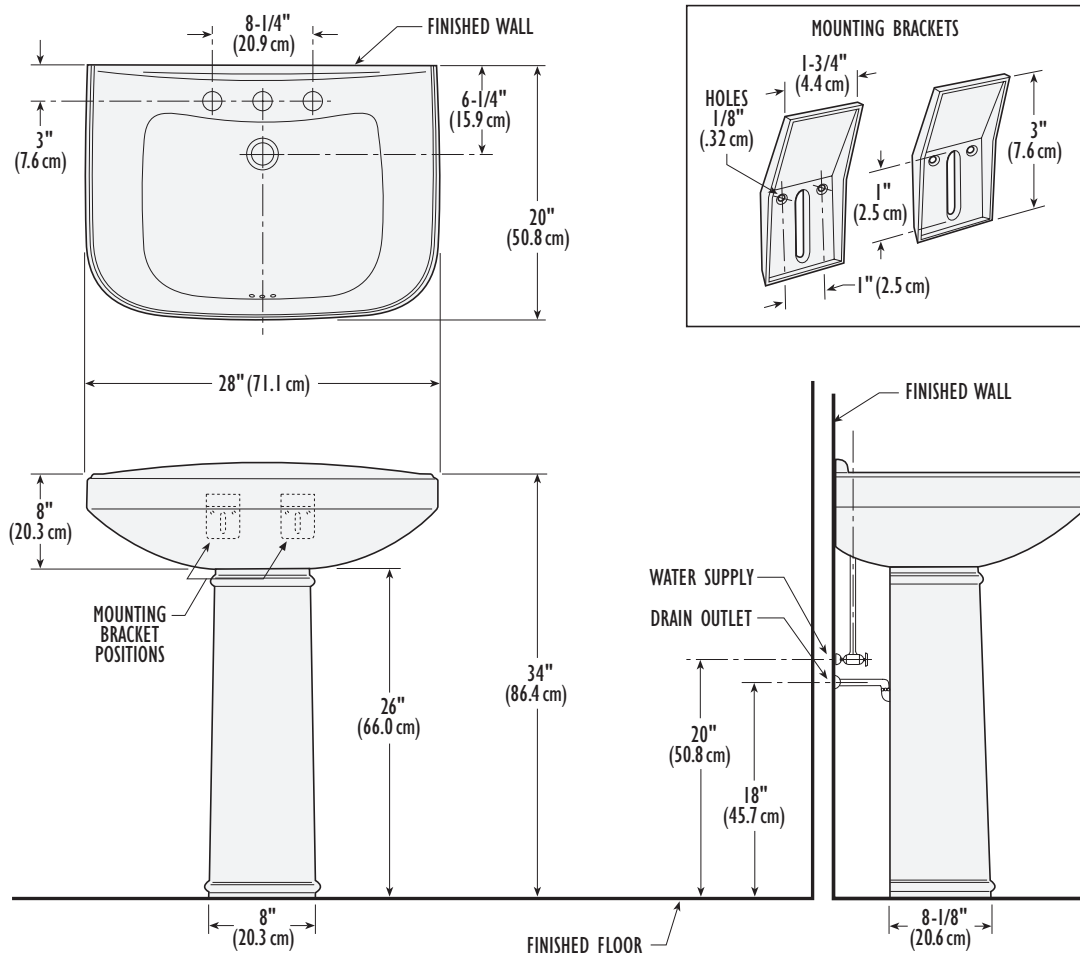
THE PROVEN LEADER  
IN FLUSHING PERFORMANCE™



# VELEZZA

Model 3553-3518

## DIMENSIONS



**IMPORTANT:** Dimensions of fixtures are nominal and may vary within the range of tolerance established by the standards ASME A112.19.2 / CSA B45.1. These measurements are subject to change or cancellation. No responsibility is assumed for use of superseded or voided pages.

## SPECIFICATIONS

3553-V	4" Basin	36 Lbs.
3554-V	8" Basin	36 Lbs.
3555-V	Single Hole Basin	36 Lbs.
3518-V	Pedestal	21 Lbs.
Dimensions	28" x 20" x 34"	

## COLORS

02: White

Other: Refer to price book for additional colors/finishes

Color number is indicated between part number and letter suffix (i.e. 3464-02-V)



**U.S. CUSTOMER SERVICE**  
Toll Free: 866-821-2811  
customerservice@vortens.com  
ussales@vortens.com  
www.vortens.com

**CANADIAN CUSTOMER SERVICE**  
Toll Free: 866-363-1365  
canadiansales@vortens.com  
www.vortens.com



# VIENNA

Model 3321-3510



## FEATURES

Hidden Front Overflow

5-Year Warranty on Vitreous China

V-Gloss™ High-Gloss Vitreous China –  
Durable, Nonporous

## SPECIFICATIONS

3321-V	4" Basin	31 Lbs.
3510-V	Pedestal	19 Lbs.
Dimensions	20" x 17" x 34"	

Meets ASME A112.19.2 / CSA B45.1  
Faucet Not Included

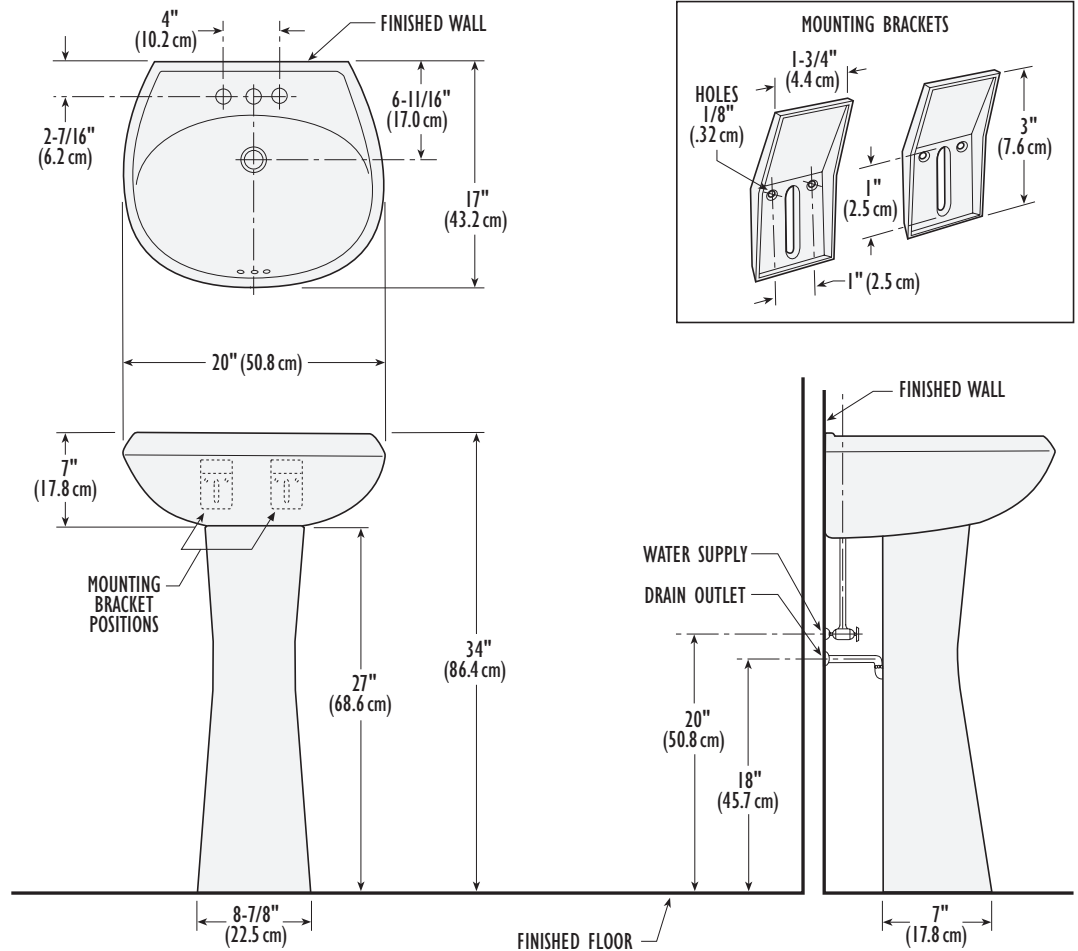
THE PROVEN LEADER  
IN FLUSHING PERFORMANCE™



# VIENNA

Model 3321-3510

## DIMENSIONS



**IMPORTANT:** Dimensions of fixtures are nominal and may vary within the range of tolerance established by the standards ASME A112.19.2 / CSA B45.1. These measurements are subject to change or cancellation. No responsibility is assumed for use of superseded or voided pages.

## SPECIFICATIONS

3321-V	4" Basin	31 Lbs.
3510-V	Pedestal	19 Lbs.
Dimensions	20" x 17" x 34"	

## COLORS

02: White

Other: Refer to price book for additional colors/finishes

Color number is indicated between part number and letter suffix (i.e. 3464-02-V)



**U.S. CUSTOMER SERVICE**  
 Toll Free: 866-821-2811  
 customerservice@vortens.com  
 ussales@vortens.com  
 www.vortens.com

**CANADIAN CUSTOMER SERVICE**  
 Toll Free: 866-363-1365  
 canadiansales@vortens.com  
 www.vortens.com



# VIENNA / SENNA

Model 3321-3516



## FEATURES

Hidden Front Overflow

5-Year Warranty on Vitreous China

V-Gloss™ High-Gloss Vitreous China –  
Durable, Nonporous

## SPECIFICATIONS

3321-V	4" Vienna Basin	31 Lbs.
3516-V	Senna Pedestal	19 Lbs.
Dimensions	20" x 17" x 34"	

Meets ASME A112.19.2 / CSA B45.1  
Faucet Not Included

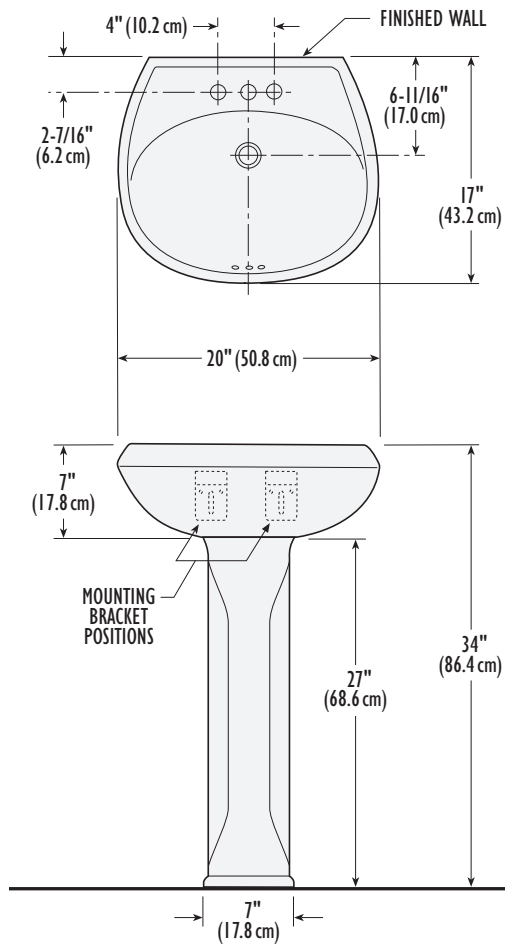
THE PROVEN LEADER  
IN FLUSHING PERFORMANCE™



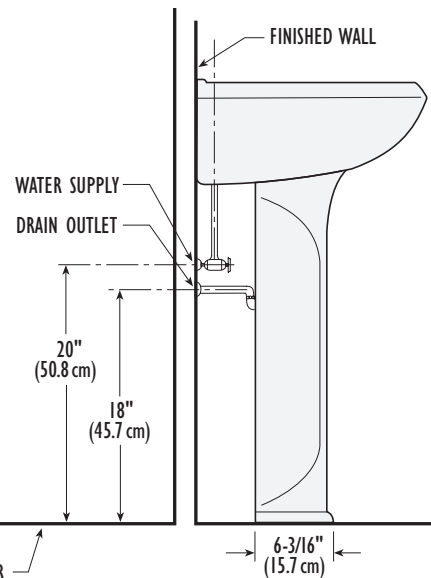
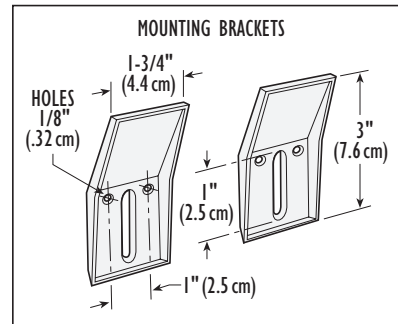
# VIENNA / SENNA

Model 3321-3516

## DIMENSIONS



**IMPORTANT:** Dimensions of fixtures are nominal and may vary within the range of tolerance established by the standards ASME A112.19.2 / CSA B45.1. These measurements are subject to change or cancellation. No responsibility is assumed for use of superseded or voided pages.



## SPECIFICATIONS

3321-V	4" Vienna Basin	31 Lbs.
3516-V	Senna Pedestal	19 Lbs.
Dimensions	20" x 17" x 34"	

## COLORS

02: White

Other: Refer to price book for additional colors/finishes

Color number is indicated between part number and letter suffix (i.e. 3464-02-V)



**U.S. CUSTOMER SERVICE**  
Toll Free: 866-821-2811  
customerservice@vortens.com  
ussales@vortens.com  
www.vortens.com

**CANADIAN CUSTOMER SERVICE**  
Toll Free: 866-363-1365  
canadiansales@vortens.com  
www.vortens.com





# SENNA

Model 3539-3516



## FEATURES

Hidden Front Overflow

5-Year Warranty on Vitreous China

V-Gloss™ High-Gloss Vitreous China –  
Durable, Nonporous

## SPECIFICATIONS

3539-V	4" Basin	32 Lbs.
3545-V	8" Basin	32 Lbs.
3547-V	Single Hole Basin	32 Lbs.
3516-V	Pedestal	19 Lbs.
Dimensions	23" x 18" x 33"	

Meets ASME A112.19.2 / CSA B45.1  
Faucet Not Included

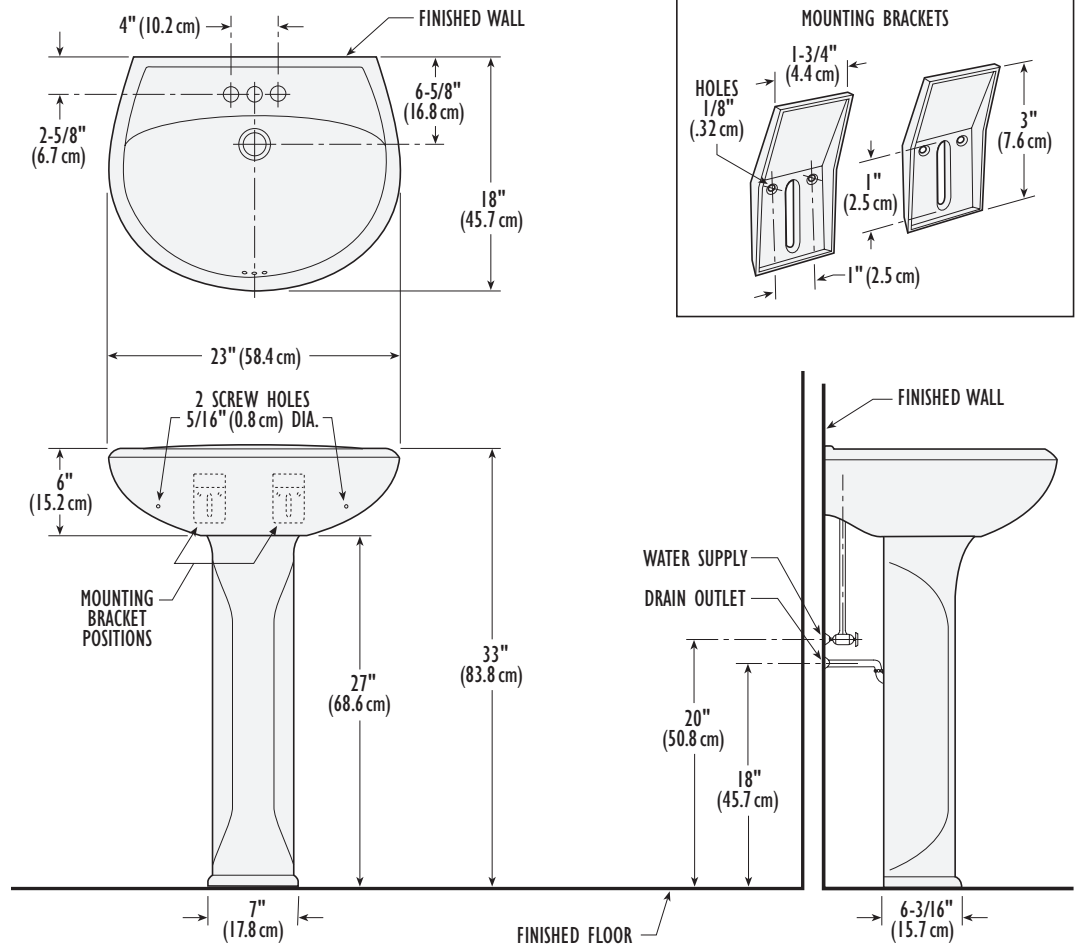
THE PROVEN LEADER  
IN FLUSHING PERFORMANCE™



# SENNA

Model 3539-3516

## DIMENSIONS



**IMPORTANT:** Dimensions of fixtures are nominal and may vary within the range of tolerance established by the standards ASME A112.19.2 / CSA B45.1. These measurements are subject to change or cancellation. No responsibility is assumed for use of superseded or voided pages.

## SPECIFICATIONS

3539-V	4" Basin	32 Lbs.
3545-V	8" Basin	32 Lbs.
3547-V	Single Hole Basin	32 Lbs.
3516-V	Pedestal	19 Lbs.
Dimensions	23" x 18" x 33"	

## COLORS

02: White

Other: Refer to price book for additional colors/finishes

Color number is indicated between part number and letter suffix (i.e. 3464-02-V)



**U.S. CUSTOMER SERVICE**  
Toll Free: 866-821-2811  
customerservice@vortens.com  
ussales@vortens.com  
www.vortens.com

**CANADIAN CUSTOMER SERVICE**  
Toll Free: 866-363-1365  
canadiansales@vortens.com  
www.vortens.com



# SENNA / VIENNA

Model 3539-3510



## FEATURES

Hidden Front Overflow

5-Year Warranty on Vitreous China

V-Gloss™ High-Gloss Vitreous China – Durable, Nonporous

## SPECIFICATIONS

3539-V	4" Senna Basin	32 Lbs.
3545-V	8" Senna Basin	32 Lbs.
3547-V	Single Hole Basin	32 Lbs.
3510-V	Vienna Pedestal	19 Lbs.
Dimensions	23" x 18" x 33"	

Meets ASME A112.19.2 / CSA B45.1  
Faucet Not Included

THE PROVEN LEADER  
IN FLUSHING PERFORMANCE™

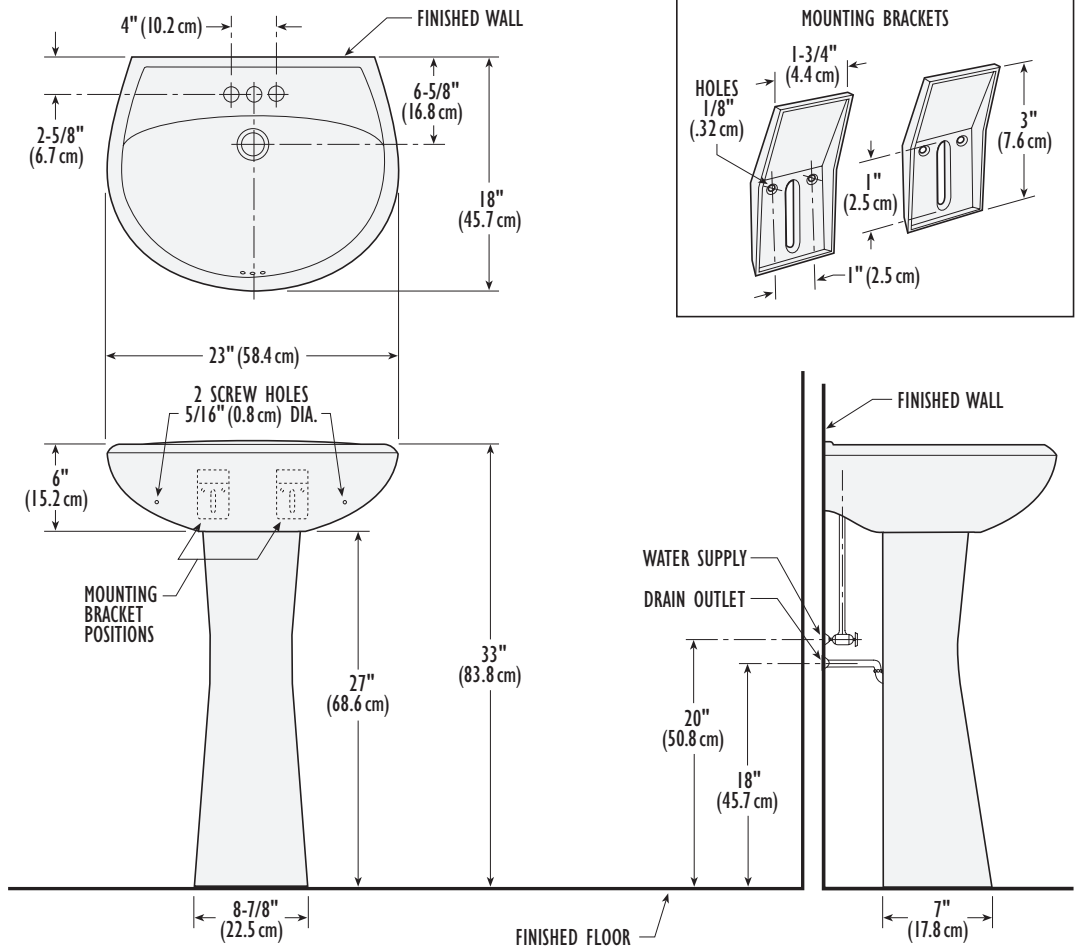


# SENNA / VIENNA

Model 3539-3510

## DIMENSIONS

**IMPORTANT:** Dimensions of fixtures are nominal and may vary within the range of tolerance established by the standards ASME A112.19.2 / CSA B45.1. These measurements are subject to change or cancellation. No responsibility is assumed for use of superseded or voided pages.



## SPECIFICATIONS

3539-V	4" Senna Basin	32 Lbs.
3545-V	8" Senna Basin	32 Lbs.
3547-V	Single Hole Basin	32 Lbs.
3510-V	Vienna Pedestal	19 Lbs.
Dimensions	23" x 18" x 33"	

## COLORS

02: White

Other: Refer to price book for additional colors/finishes

Color number is indicated between part number and letter suffix (i.e. 3464-02-V)



**U.S. CUSTOMER SERVICE**  
 Toll Free: 866-821-2811  
 customerservice@vortens.com  
 ussales@vortens.com  
 www.vortens.com

**CANADIAN CUSTOMER SERVICE**  
 Toll Free: 866-363-1365  
 canadiansales@vortens.com  
 www.vortens.com



# MOLISSE

Model 3549-3510



## FEATURES

Hidden Front Overflow

5-Year Warranty on Vitreous China

V-Gloss™ High-Gloss Vitreous China –  
Durable, Nonporous

## SPECIFICATIONS

3549-V	4" Molisse Basin	35 Lbs.
3551-V	8" Molisse Basin	35 Lbs.
3552-V	Single Hole Basin	35 Lbs.
3510-V	Vienna Pedestal	19 Lbs.
Dimensions	25" x 19-5/8" x 33"	

Meets ASME A112.19.2 / CSA B45.1  
Faucet Not Included

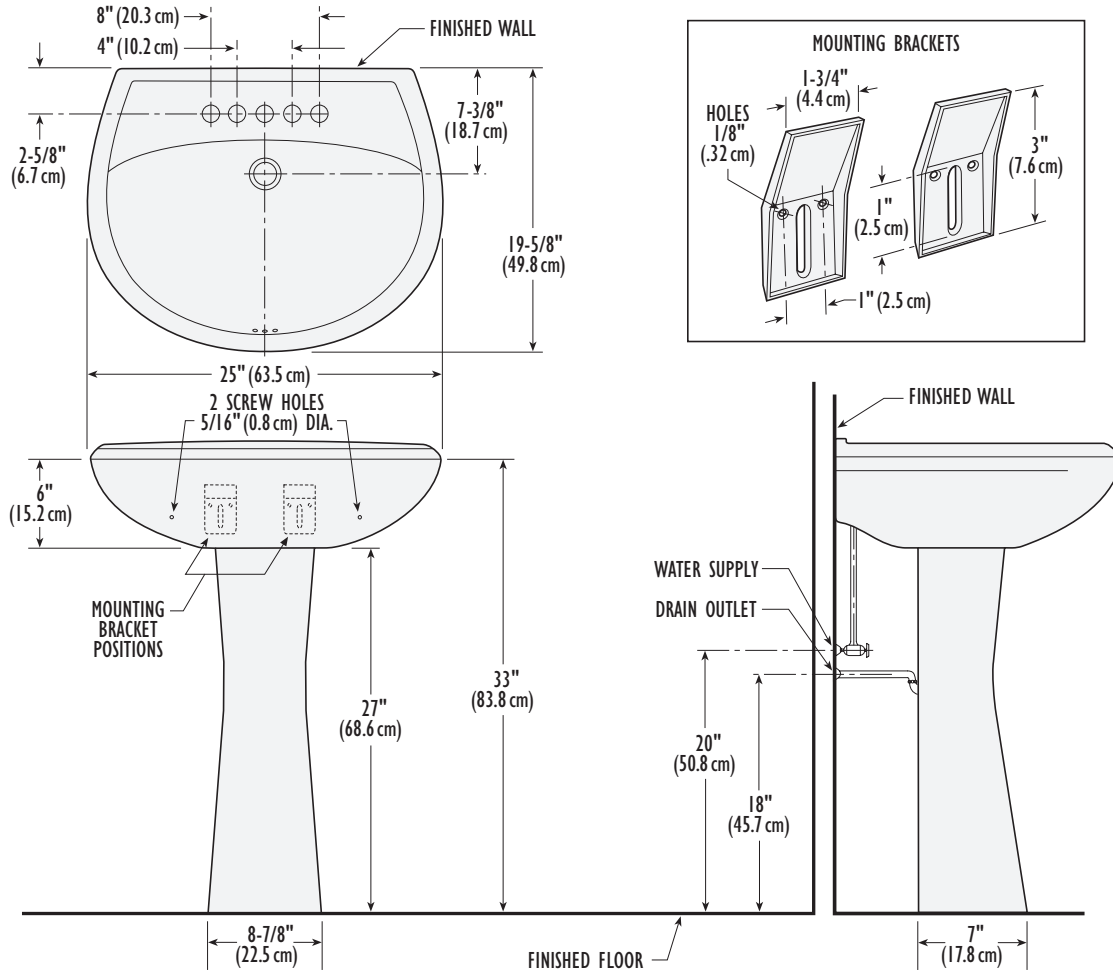
THE PROVEN LEADER  
IN FLUSHING PERFORMANCE™



# MOLISSE

Model 3549-3510

## DIMENSIONS



**IMPORTANT:** Dimensions of fixtures are nominal and may vary within the range of tolerance established by the standards ASME A112.19.2 / CSA B45.1. These measurements are subject to change or cancellation. No responsibility is assumed for use of superseded or voided pages.

## SPECIFICATIONS

3549-V	4" Molisse Basin	35 Lbs.
3551-V	8" Molisse Basin	35 Lbs.
3552-V	Single Hole Basin	35 Lbs.
3510-V	Vienna Pedestal	19 Lbs.
Dimensions	25" x 19-5/8" x 33"	

## COLORS

02: White

Other: Refer to price book for additional colors/finishes

Color number is indicated between part number and letter suffix (i.e. 3464-02-V)



**U.S. CUSTOMER SERVICE**  
 Toll Free: 866-821-2811  
 customerservice@vortens.com  
 ussales@vortens.com  
 www.vortens.com

**CANADIAN CUSTOMER SERVICE**  
 Toll Free: 866-363-1365  
 canadiansales@vortens.com  
 www.vortens.com



# MOLISSE / SENNA

Model 3549-3516



## FEATURES

Hidden Front Overflow

5-Year Warranty on Vitreous China

V-Gloss™ High-Gloss Vitreous China – Durable, Nonporous

## SPECIFICATIONS

3549-V	4" Molisse Basin	35 Lbs.
3551-V	8" Molisse Basin	35 Lbs.
3552-V	Single Hole Basin	35 Lbs.
3516-V	Senna Pedestal	19 Lbs.
Dimensions	25" x 19-5/8" x 33"	

Meets ASME A112.19.2 / CSA B45.1  
Faucet Not Included

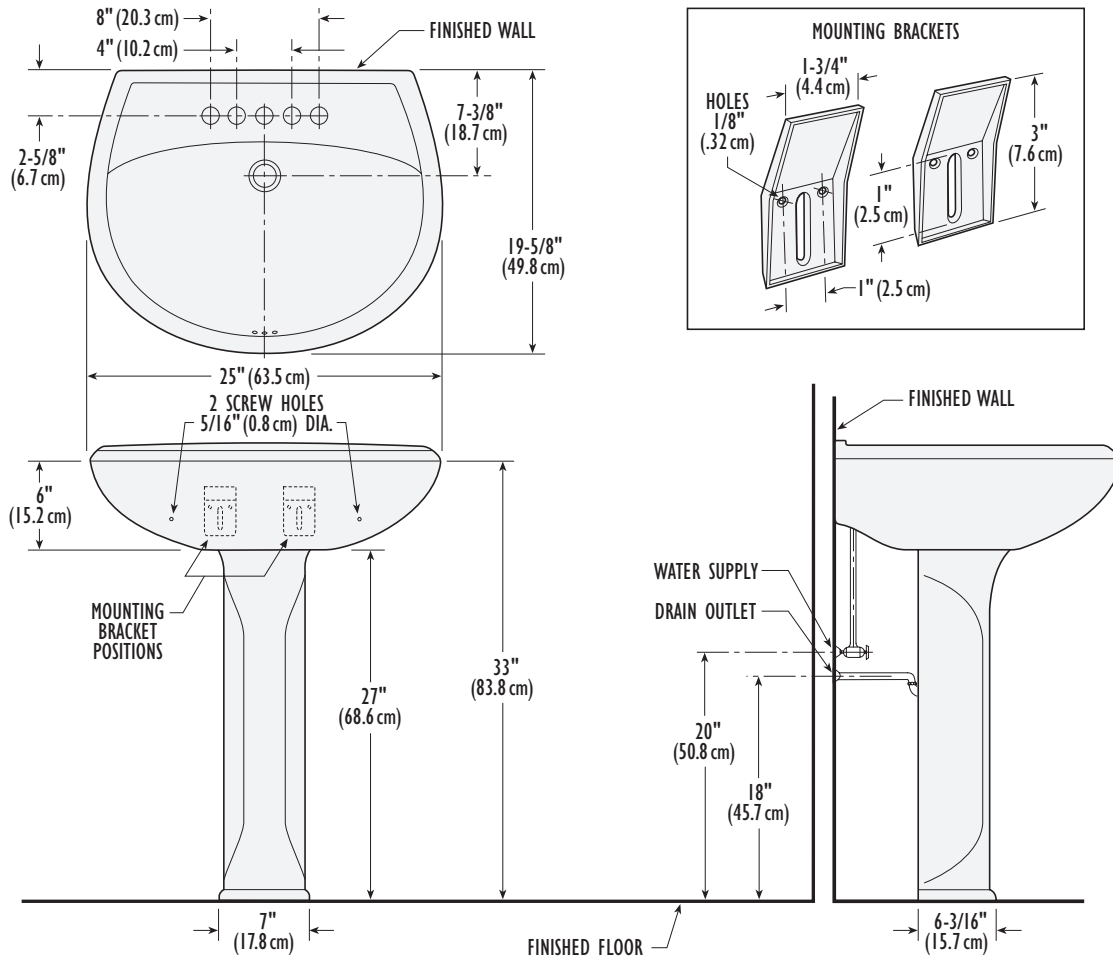
THE PROVEN LEADER  
IN FLUSHING PERFORMANCE™



# MOLISSE / SENNA

Model 3549-3516

## DIMENSIONS



**IMPORTANT:** Dimensions of fixtures are nominal and may vary within the range of tolerance established by the standards ASME A112.19.2 / CSA B45.1. These measurements are subject to change or cancellation. No responsibility is assumed for use of superseded or voided pages.

## SPECIFICATIONS

3549-V	4" Molisse Basin	35 Lbs.
3551-V	8" Molisse Basin	35 Lbs.
3552-V	Single Hole Basin	35 Lbs.
3516-V	Senna Pedestal	19 Lbs.
Dimensions	25" x 19-5/8" x 33"	

## COLORS

02: White

Other: Refer to price book for additional colors/finishes

Color number is indicated between part number and letter suffix (i.e. 3464-02-V)



**U.S. CUSTOMER SERVICE**  
 Toll Free: 866-821-2811  
 customerservice@vortens.com  
 ussales@vortens.com  
 www.vortens.com

**CANADIAN CUSTOMER SERVICE**  
 Toll Free: 866-363-1365  
 canadiansales@vortens.com  
 www.vortens.com





# Vortens®

ALL PERFORMANCE.  
NO PROBLEMS.



VESSEL, DROP-IN &  
WALL-HUNG LAVATORIES

THE PROVEN LEADER  
IN FLUSHING PERFORMANCE™

# VENEZIA

Model 3521



## FEATURES

Hidden Front Overflow

5-Year Warranty on Vitreous China

V-Gloss™ High-Gloss Vitreous China –  
Durable, Nonporous

## SPECIFICATIONS

3521-V	4" Basin	19 Lbs.
3525-V	8" Basin	19 Lbs.
3523-V	Single Hole Basin	19 Lbs.
Dimensions	20" x 17" Oval	



Meets ASME A112.19.2 / CSA B45.1  
Faucet Not Included

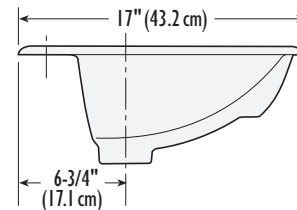
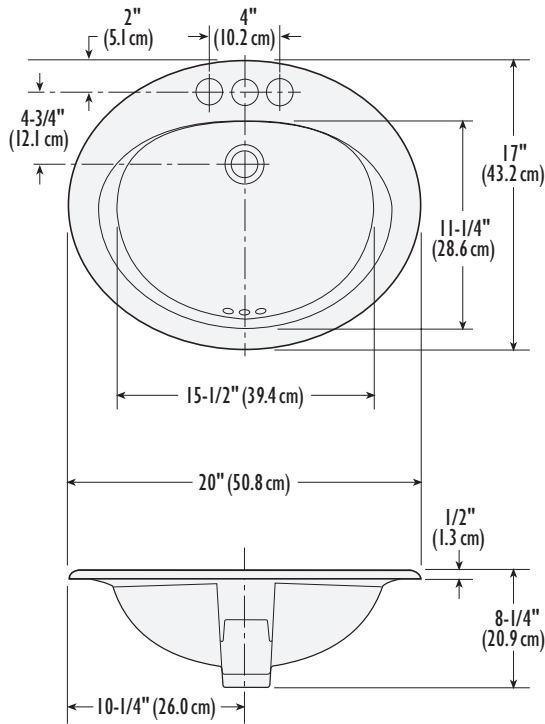
THE PROVEN LEADER  
IN FLUSHING PERFORMANCE™

Vortens®  


# VENEZIA

Model 3521

## DIMENSIONS



**IMPORTANT:** Dimensions of fixtures are nominal and may vary within the range of tolerance established by the standards ASME A112.19.2 / CSA B45.1. These measurements are subject to change or cancellation. No responsibility is assumed for use of superseded or voided pages.

## SPECIFICATIONS

3521-V	4" Basin	19 Lbs.
3525-V	8" Basin	19 Lbs.
3523-V	Single Hole Basin	19 Lbs.
Dimensions	20" x 17" Oval	

A.D.A. Lavatory Installation Requirements: Lavatories shall be mounted with rim/counter surface no higher than 34 inches (86.4 cm) above finished floor. Provide a clearance range of 27 - 29 inches (68.6 - 73.7 cm) from the floor to the lavatory bottom or lavatory apron depending upon the type installed. For complete details on installation requirements, see A.D.A. Installation Handbook.

## COLORS

02: White

Other: Refer to price book for additional colors/finishes

Color number is indicated between part number and letter suffix (i.e. 3464-02-V)



**U.S. CUSTOMER SERVICE**  
Toll Free: 866-821-2811  
customerservice@vortens.com  
ussales@vortens.com  
www.vortens.com

**CANADIAN CUSTOMER SERVICE**  
Toll Free: 866-363-1365  
canadiansales@vortens.com  
www.vortens.com



# FIRENZE

Model 3526



## FEATURES

Hidden Front Overflow

5-Year Warranty on Vitreous China

V-Gloss™ High-Gloss Vitreous China –  
Durable, Nonporous

## SPECIFICATIONS

3526-V	4" Basin	17 Lbs.
3528-V	8" Basin	17 Lbs.
3527-V	Single Hole Basin	17 Lbs.
Dimensions		19" Round



Meets ASME A112.19.2 / CSA B45.1  
Faucet Not Included

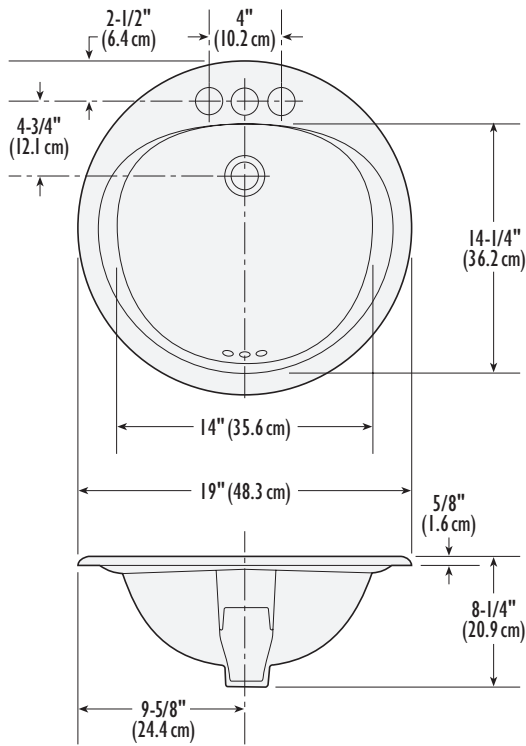
THE PROVEN LEADER  
IN FLUSHING PERFORMANCE™

Vortens®  

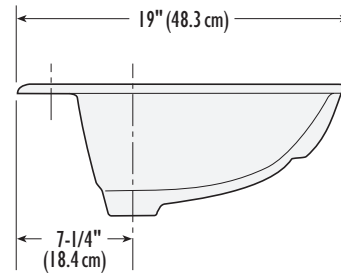

# FIRENZE

Model 3526

## DIMENSIONS



**IMPORTANT:** Dimensions of fixtures are nominal and may vary within the range of tolerance established by the standards ASME A112.19.2 / CSA B45.1. These measurements are subject to change or cancellation. No responsibility is assumed for use of superseded or voided pages.



## SPECIFICATIONS

3526-V	4" Basin	17 Lbs.
3528-V	8" Basin	17 Lbs.
3527-V	Single Hole Basin	17 Lbs.
Dimensions		19" Round

A.D.A. Lavatory Installation Requirements: Lavatories shall be mounted with rim/ counter surface no higher than 34 inches (86.4 cm) above finished floor. Provide a clearance range of 27 - 29 inches (68.6 - 73.7 cm) from the floor to the lavatory bottom or lavatory apron depending upon the type installed. For complete details on installation requirements, see A.D.A. Installation Handbook.

## COLORS

02: White

Other: Refer to price book for additional colors/finishes

Color number is indicated between part number and letter suffix (i.e. 3464-02-V)



**U.S. CUSTOMER SERVICE**  
Toll Free: 866-821-2811  
customerservice@vortens.com  
ussales@vortens.com  
www.vortens.com

**CANADIAN CUSTOMER SERVICE**  
Toll Free: 866-363-1365  
canadiansales@vortens.com  
www.vortens.com



# GENOVA

Model 3351



## FEATURES

Hidden Front Overflow

Contemporary-Style Lavatory

Part of the Genova Suite

5-Year Warranty on Vitreous China

V-Gloss™ High-Gloss Vitreous China –  
Durable, Nonporous

## SPECIFICATIONS

3351-V	4" Basin	23 Lbs.
3352-V	8" Basin	23 Lbs.
3353-V	Single Hole Basin	23 Lbs.
Dimensions	23-1/2" x 19-5/8" Oval	



Meets ASME A112.19.2 / CSA B45.1  
Faucet Not Included

THE PROVEN LEADER  
IN FLUSHING PERFORMANCE™

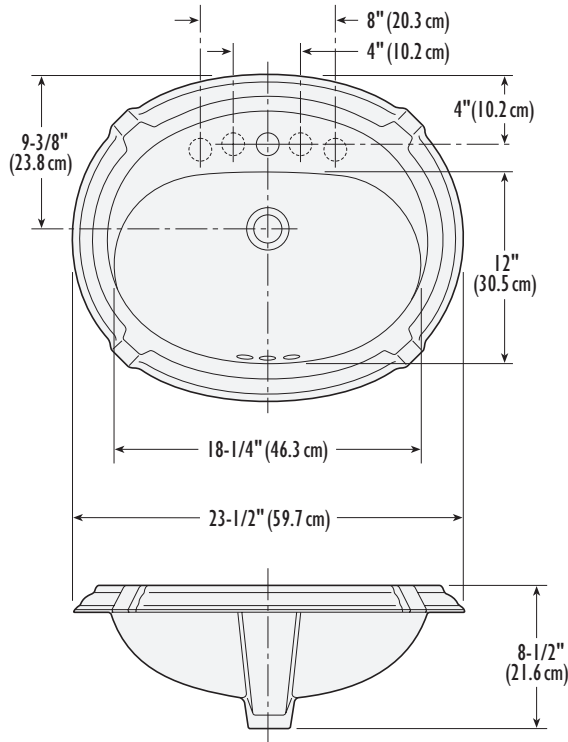




# GENOVA

Model 3351

## DIMENSIONS



**IMPORTANT:** Dimensions of fixtures are nominal and may vary within the range of tolerance established by the standards ASME A112.19.2 / CSA B45.1. These measurements are subject to change or cancellation. No responsibility is assumed for use of superseded or voided pages.

## SPECIFICATIONS

3351-V	4" Basin	23 Lbs.
3352-V	8" Basin	23 Lbs.
3353-V	Single Hole Basin	23 Lbs.
Dimensions	23-1/2" x 19-5/8" Oval	

A.D.A. Lavatory Installation Requirements: Lavatories shall be mounted with rim/counter surface no higher than 34 inches (86.4 cm) above finished floor. Provide a clearance range of 27 - 29 inches (68.6 - 73.7 cm) from the floor to the lavatory bottom or lavatory apron depending upon the type installed. For complete details on installation requirements, see A.D.A. Installation Handbook.

## COLORS

02: White

Other: Refer to price book for additional colors/finishes

Color number is indicated between part number and letter suffix (i.e. 3464-02-V)



**U.S. CUSTOMER SERVICE**  
Toll Free: 866-821-2811  
customerservice@vortens.com  
ussales@vortens.com  
www.vortens.com

**CANADIAN CUSTOMER SERVICE**  
Toll Free: 866-363-1365  
canadiansales@vortens.com  
www.vortens.com



# REGENCY

Model 3354



## FEATURES

Hidden Front Overflow

Victorian-Style Lavatory

Part of the Regency Suite

5-Year Warranty on Vitreous China

V-Gloss™ High-Gloss Vitreous China –  
Durable, Nonporous

## SPECIFICATIONS

3354-V	Basin	14 Lbs.
Dimensions	18" x 14-5/8" Oval	



Meets ASME A112.19.2 / CSA B45.1  
Faucet Not Included

THE PROVEN LEADER  
IN FLUSHING PERFORMANCE™

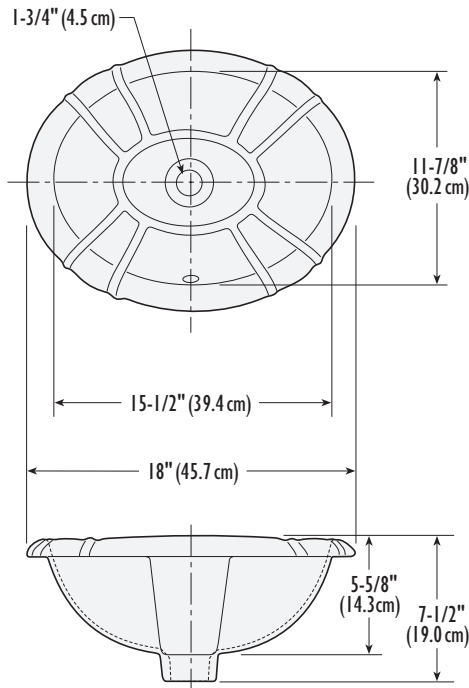
Vortens®



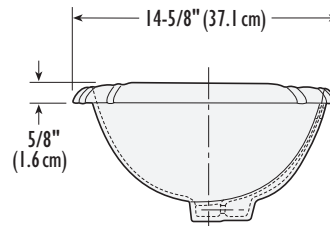
# REGENCY

Model 3354

## DIMENSIONS



**IMPORTANT:** Dimensions of fixtures are nominal and may vary within the range of tolerance established by the standards ASME A112.19.2 / CSA B45.1. These measurements are subject to change or cancellation. No responsibility is assumed for use of superseded or voided pages.



## SPECIFICATIONS

3354-V	Basin	14 Lbs.
Dimensions	18" x 14-5/8" Oval	

A.D.A. Lavatory Installation Requirements: Lavatories shall be mounted with rim/counter surface no higher than 34 inches (86.4 cm) above finished floor. Provide a clearance range of 27 - 29 inches (68.6 - 73.7 cm) from the floor to the lavatory bottom or lavatory apron depending upon the type installed. For complete details on installation requirements, see A.D.A. Installation Handbook.

## COLORS

02: White

Other: Refer to price book for additional colors/finishes

Color number is indicated between part number and letter suffix (i.e. 3464-02-V)



**U.S. CUSTOMER SERVICE**  
Toll Free: 866-821-2811  
customerservice@vortens.com  
ussales@vortens.com  
www.vortens.com

**CANADIAN CUSTOMER SERVICE**  
Toll Free: 866-363-1365  
canadiansales@vortens.com  
www.vortens.com



# MELANIE

Model 5319



## FEATURES

Chrome-Plated Overflow

Contemporary-Style Lavatory

5-Year Warranty on Vitreous China

V-Gloss™ High-Gloss Vitreous China –  
Durable, Nonporous

## SPECIFICATIONS

5319-V Vessel 19 Lbs.

Dimensions 15-1/2" Round x 6-3/4" Deep



Meets ASME A112.19.2 / CSA B45.1  
Faucet Not Included

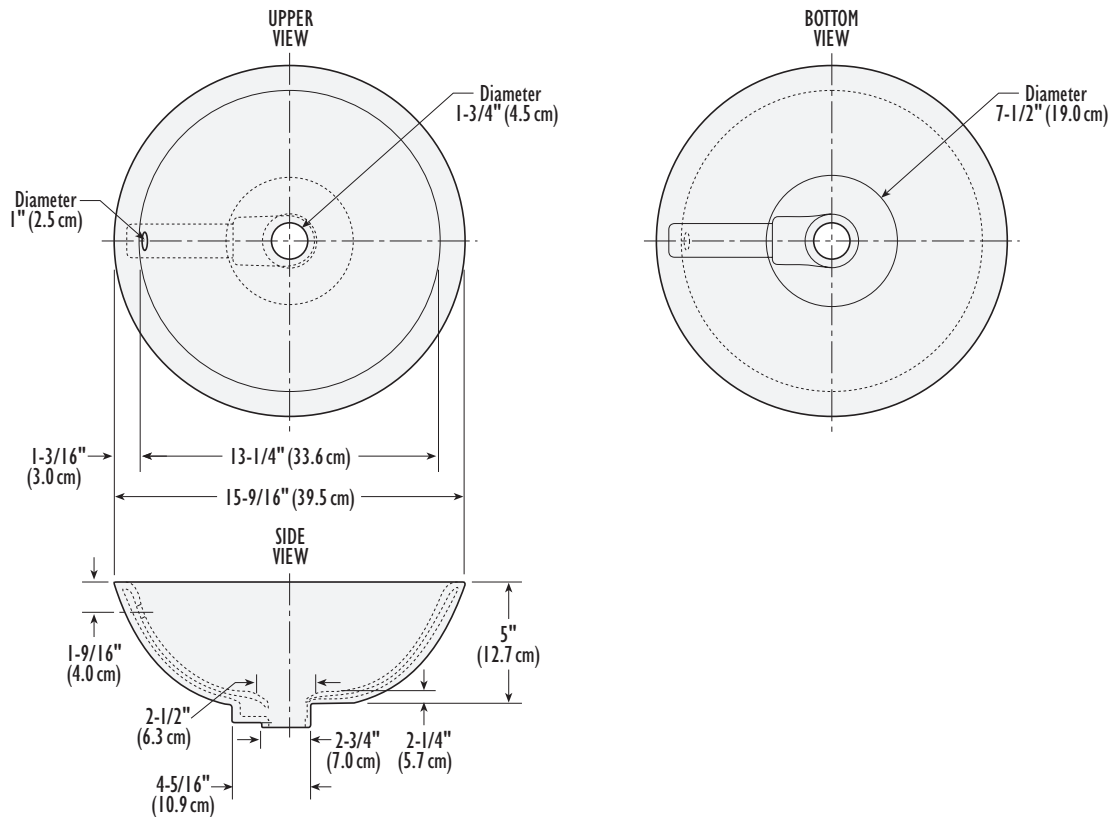
THE PROVEN LEADER  
IN FLUSHING PERFORMANCE™

Vortens®

# MELANIE

Model 5319

## DIMENSIONS



**IMPORTANT:** Dimensions of fixtures are nominal and may vary within the range of tolerance established by the standards ASME A112.19.2 / CSA B45.1. These measurements are subject to change or cancellation. No responsibility is assumed for use of superseded or voided pages.

## SPECIFICATIONS

5319-V	Vessel	19 Lbs.
Dimensions	15-1/2" Round x 6-3/4" Deep	

A.D.A. Lavatory Installation Requirements: Lavatories shall be mounted with rim/ counter surface no higher than 34 inches (86.4 cm) above finished floor. Provide a clearance range of 27 - 29 inches (68.6 - 73.7 cm) from the floor to the lavatory bottom or lavatory apron depending upon the type installed. For complete details on installation requirements, see A.D.A. Installation Handbook.

## COLORS

02: White

Other: Refer to price book for additional colors/finishes

Color number is indicated between part number and letter suffix (i.e. 3464-02-V)



**U.S. CUSTOMER SERVICE**  
 Toll Free: 866-821-2811  
 customerservice@vortens.com  
 ussales@vortens.com  
 www.vortens.com

**CANADIAN CUSTOMER SERVICE**  
 Toll Free: 866-363-1365  
 canadiansales@vortens.com  
 www.vortens.com



# BOLONIA

Model 5335



## FEATURES

Chrome-Plated Overflow

5-Year Warranty on Vitreous China

V-Gloss™ High-Gloss Vitreous China –  
Durable, Nonporous

## SPECIFICATIONS

5335-V    Vessel    36 Lbs.

Dimensions    19-5/8" x 18-1/4" Rectangular

Meets ASME A112.19.2 / CSA B45.1  
Faucet Not Included

THE PROVEN LEADER  
IN FLUSHING PERFORMANCE™

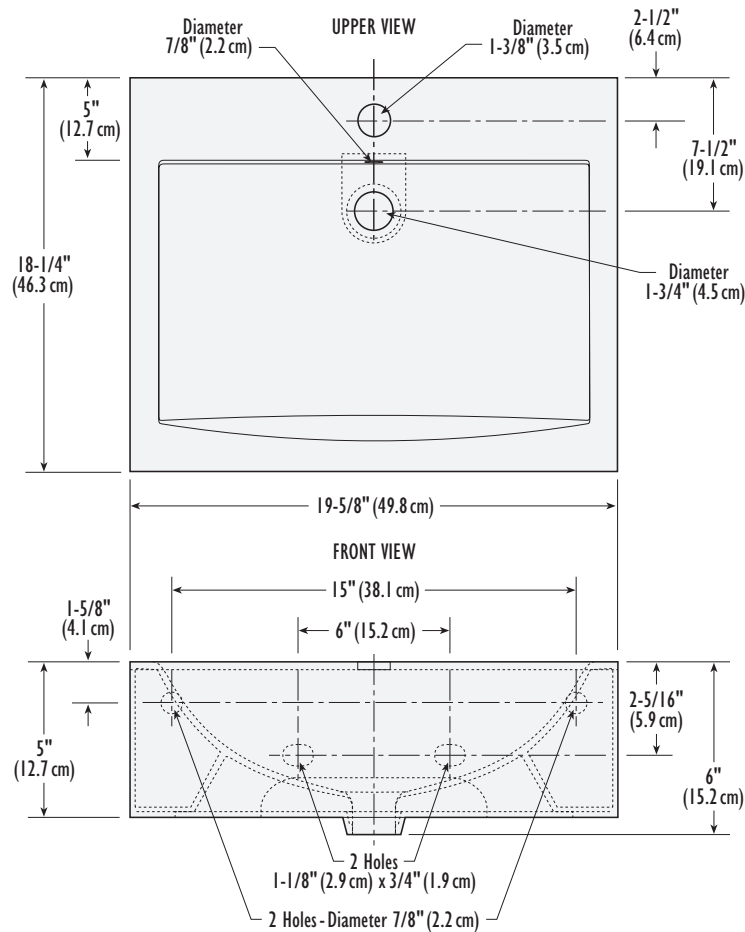


# BOLONIA

Model 5335

## DIMENSIONS

**IMPORTANT:** Dimensions of fixtures are nominal and may vary within the range of tolerance established by the standards ASME A112.19.2 / CSA B45.1. These measurements are subject to change or cancellation. No responsibility is assumed for use of superseded or voided pages.



## SPECIFICATIONS

5335-V	Vessel	36 Lbs.
Dimensions	19-5/8" x 18-1/4" Rectangular	

A.D.A. Lavatory Installation Requirements: Lavatories shall be mounted with rim/counter surface no higher than 34 inches (86.4 cm) above finished floor. Provide a clearance range of 27 - 29 inches (68.6 - 73.7 cm) from the floor to the lavatory bottom or lavatory apron depending upon the type installed. For complete details on installation requirements, see A.D.A. Installation Handbook.

## COLORS

02: White

Other: Refer to price book for additional colors/finishes

Color number is indicated between part number and letter suffix (i.e. 3464-02-V)



**U.S. CUSTOMER SERVICE**  
Toll Free: 866-821-2811  
customerservice@vortens.com  
ussales@vortens.com  
www.vortens.com

**CANADIAN CUSTOMER SERVICE**  
Toll Free: 866-363-1365  
canadiansales@vortens.com  
www.vortens.com



# SARDINERO

Model 5337



## FEATURES

Counter-Top Lavatory – No Overflow

5-Year Warranty on Vitreous China

V-Gloss™ High-Gloss Vitreous China –  
Durable, Nonporous

## SPECIFICATIONS

5337-V Vessel 26 Lbs.

Dimensions 24-13/16" x 10-3/8" Rectangular

Meets ASME A112.19.2 / CSA B45.1  
Faucet Not Included

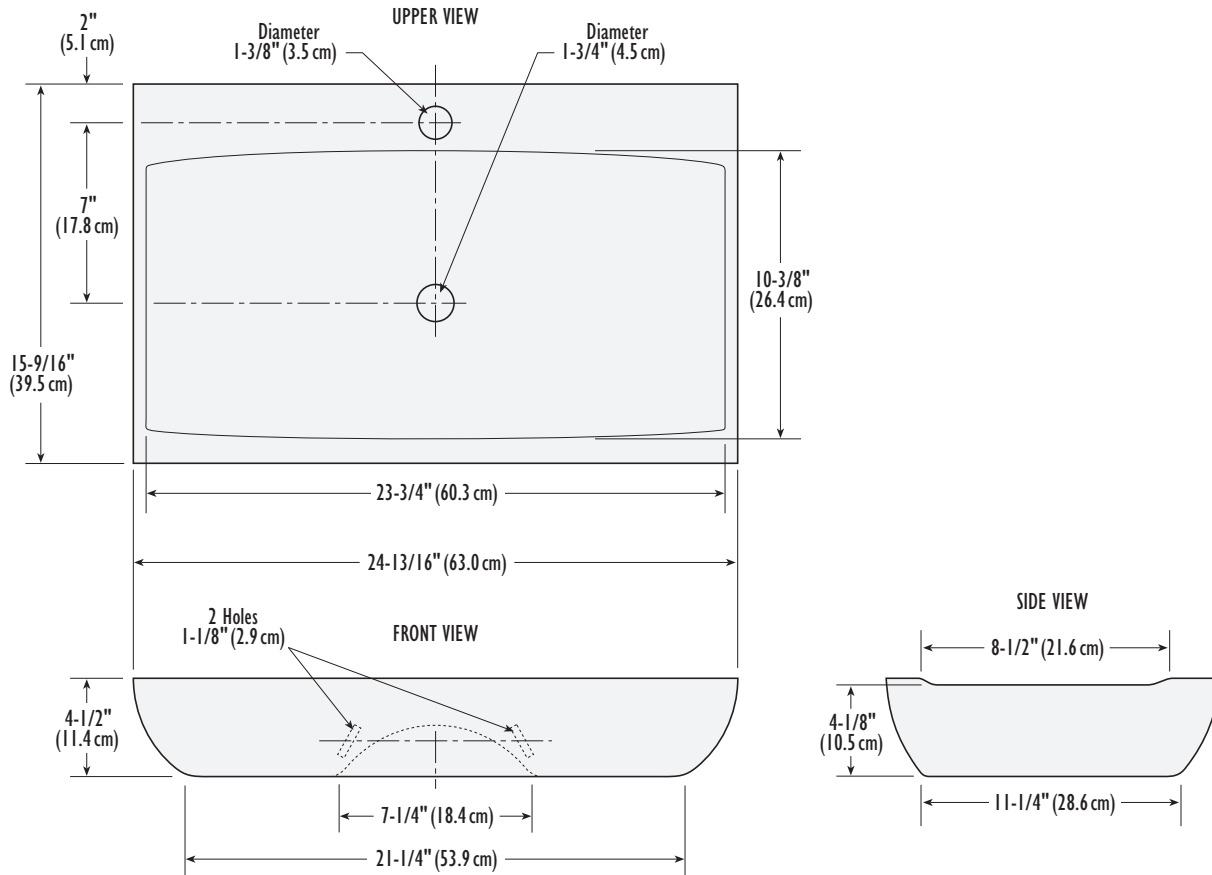
THE PROVEN LEADER  
IN FLUSHING PERFORMANCE™



# SARDINERO

Model 5337

## DIMENSIONS



**IMPORTANT:** Dimensions of fixtures are nominal and may vary within the range of tolerance established by the standards ASME A112.19.2 / CSA B45.1. These measurements are subject to change or cancellation. No responsibility is assumed for use of superseded or voided pages.

## SPECIFICATIONS

5337-V	Vessel	26 Lbs.
Dimensions	24-13/16" x 10-3/8" Rectangular	

A.D.A. Lavatory Installation Requirements: Lavatories shall be mounted with rim/counter surface no higher than 34 inches (86.4 cm) above finished floor. Provide a clearance range of 27 - 29 inches (68.6 - 73.7 cm) from the floor to the lavatory bottom or lavatory apron depending upon the type installed. For complete details on installation requirements, see A.D.A. Installation Handbook.

## COLORS

02: White

Other: Refer to price book for additional colors/finishes

Color number is indicated between part number and letter suffix (i.e. 3464-02-V)



**U.S. CUSTOMER SERVICE**  
 Toll Free: 866-821-2811  
 customerservice@vortens.com  
 ussales@vortens.com  
 www.vortens.com

**CANADIAN CUSTOMER SERVICE**  
 Toll Free: 866-363-1365  
 canadiansales@vortens.com  
 www.vortens.com



# SPOLETO

Model 5338



## FEATURES

Chrome-Plated Overflow

5-Year Warranty on Vitreous China

V-Gloss™ High-Gloss Vitreous China –  
Durable, Nonporous

## SPECIFICATIONS

5338-V Vessel 42 Lbs.

Dimensions 24" x 17-1/4" Rectangular

Meets ASME A112.19.2 / CSA B45.1  
Faucet Not Included

THE PROVEN LEADER  
IN FLUSHING PERFORMANCE™



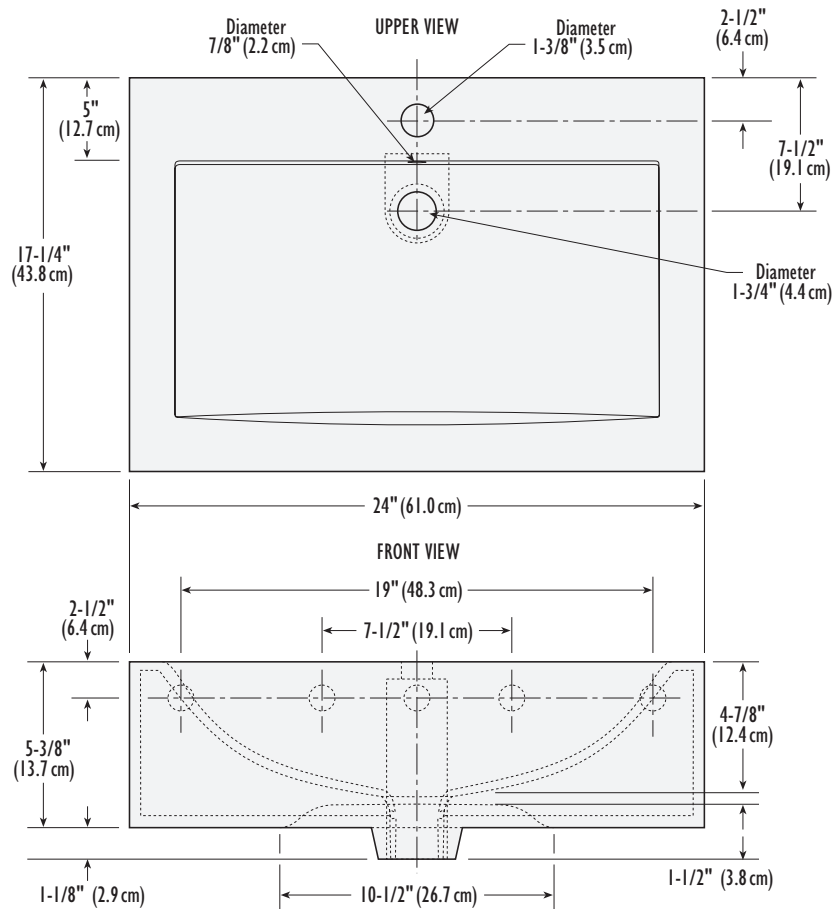


# SPOLETO

Model 5338

## DIMENSIONS

**IMPORTANT:** Dimensions of fixtures are nominal and may vary within the range of tolerance established by the standards ASME A112.19.2 / CSA B45.1. These measurements are subject to change or cancellation. No responsibility is assumed for use of superseded or voided pages.



## SPECIFICATIONS

5338-V	Vessel	42 Lbs.
Dimensions	24" x 17-1/4" Rectangular	

A.D.A. Lavatory Installation Requirements: Lavatories shall be mounted with rim/ counter surface no higher than 34 inches (86.4 cm) above finished floor. Provide a clearance range of 27 - 29 inches (68.6 - 73.7 cm) from the floor to the lavatory bottom or lavatory apron depending upon the type installed. For complete details on installation requirements, see A.D.A. Installation Handbook.

## COLORS

02: White

Other: Refer to price book for additional colors/finishes

Color number is indicated between part number and letter suffix (i.e. 3464-02-V)



**U.S. CUSTOMER SERVICE**  
Toll Free: 866-821-2811  
customerservice@vortens.com  
ussales@vortens.com  
www.vortens.com

**CANADIAN CUSTOMER SERVICE**  
Toll Free: 866-363-1365  
canadiansales@vortens.com  
www.vortens.com



# HOLIDAY

Model 3529



## FEATURES

Hidden Front Overflow

5-Year Warranty on Vitreous China

V-Gloss™ High-Gloss Vitreous China –  
Durable, Nonporous

## SPECIFICATIONS

3529-V	Basin	14 Lbs.
Dimensions	19" x 16" Oval	



Meets ASME A112.19.2 / CSA B45.1  
Faucet Not Included

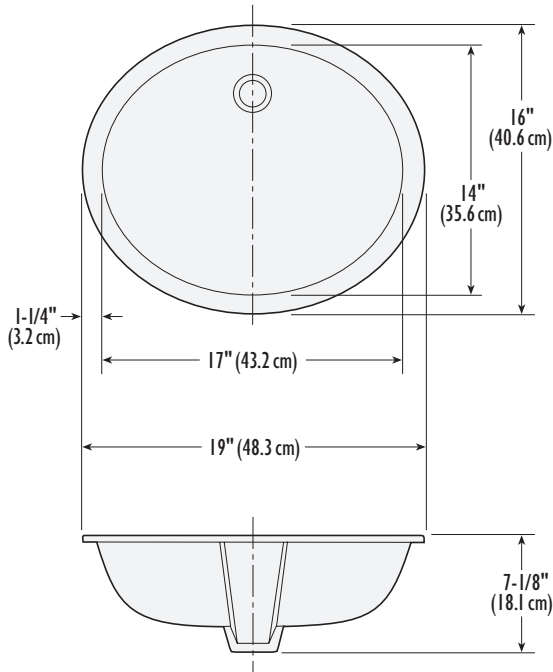
THE PROVEN LEADER  
IN FLUSHING PERFORMANCE™

Vortens®  

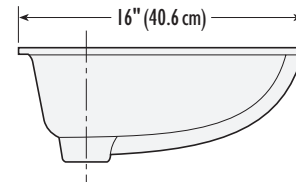

# HOLIDAY

Model 3529

## DIMENSIONS



**IMPORTANT:** Dimensions of fixtures are nominal and may vary within the range of tolerance established by the standards ASME A112.19.2 / CSA B45.1. These measurements are subject to change or cancellation. No responsibility is assumed for use of superseded or voided pages.



## SPECIFICATIONS

3529-V	Basin	14 Lbs.
Dimensions		19" x 16" Oval

A.D.A. Lavatory Installation Requirements: Lavatories shall be mounted with rim/ counter surface no higher than 34 inches (86.4 cm) above finished floor. Provide a clearance range of 27 - 29 inches (68.6 - 73.7 cm) from the floor to the lavatory bottom or lavatory apron depending upon the type installed. For complete details on installation requirements, see A.D.A. Installation Handbook.

## COLORS

02: White

Other: Refer to price book for additional colors/finishes

Color number is indicated between part number and letter suffix (i.e. 3464-02-V)



**U.S. CUSTOMER SERVICE**  
Toll Free: 866-821-2811  
customerservice@vortens.com  
ussales@vortens.com  
www.vortens.com

**CANADIAN CUSTOMER SERVICE**  
Toll Free: 866-363-1365  
canadiansales@vortens.com  
www.vortens.com



# TOSCANA

Model 3370



## FEATURES

Chrome-Plated Overflow

5-Year Warranty on Vitreous China

V-Gloss™ High-Gloss Vitreous China –  
Durable, Nonporous

## SPECIFICATIONS

3370-V Basin 20 Lbs.

Dimensions 24-1/8" x 15-3/8" Rectangular



Meets ASME A112.19.2 / CSA B45.1  
Faucet Not Included

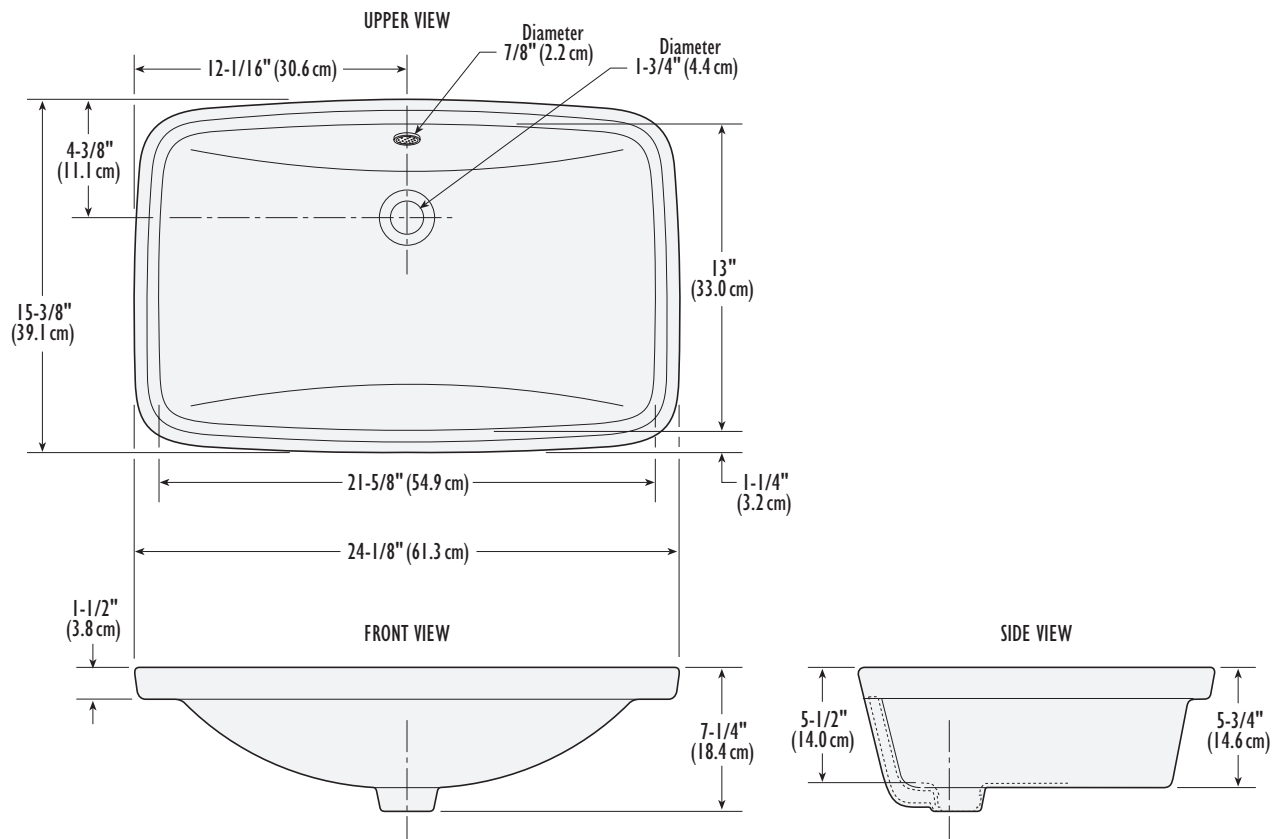
THE PROVEN LEADER  
IN FLUSHING PERFORMANCE™

Vortens®  


# TOSCANA

Model 3370

## DIMENSIONS



**IMPORTANT:** Dimensions of fixtures are nominal and may vary within the range of tolerance established by the standards ASME A112.19.2 / CSA B45.1. These measurements are subject to change or cancellation. No responsibility is assumed for use of superseded or voided pages.

## SPECIFICATIONS

3370-V	Basin	20 Lbs.
Dimensions	24-1/8" x 15-3/8" Rectangular	

A.D.A. Lavatory Installation Requirements: Lavatories shall be mounted with rim/counter surface no higher than 34 inches (86.4 cm) above finished floor. Provide a clearance range of 27 - 29 inches (68.6 - 73.7 cm) from the floor to the lavatory bottom or lavatory apron depending upon the type installed. For complete details on installation requirements, see A.D.A. Installation Handbook.

## COLORS

02: White

Other: Refer to price book for additional colors/finishes

Color number is indicated between part number and letter suffix (i.e. 3464-02-V)



**U.S. CUSTOMER SERVICE**  
 Toll Free: 866-821-2811  
 customerservice@vortens.com  
 ussales@vortens.com  
 www.vortens.com

**CANADIAN CUSTOMER SERVICE**  
 Toll Free: 866-363-1365  
 canadiansales@vortens.com  
 www.vortens.com



# TRIPOLI

Model 3368



## FEATURES

Chrome-Plated Overflow

5-Year Warranty on Vitreous China

V-Gloss™ High-Gloss Vitreous China –  
Durable, Nonporous

## SPECIFICATIONS

3368-V Basin 14 Lbs.

Dimensions 21" x 13-1/2" Rectangular



Meets ASME A112.19.2 / CSA B45.1  
Faucet Not Included

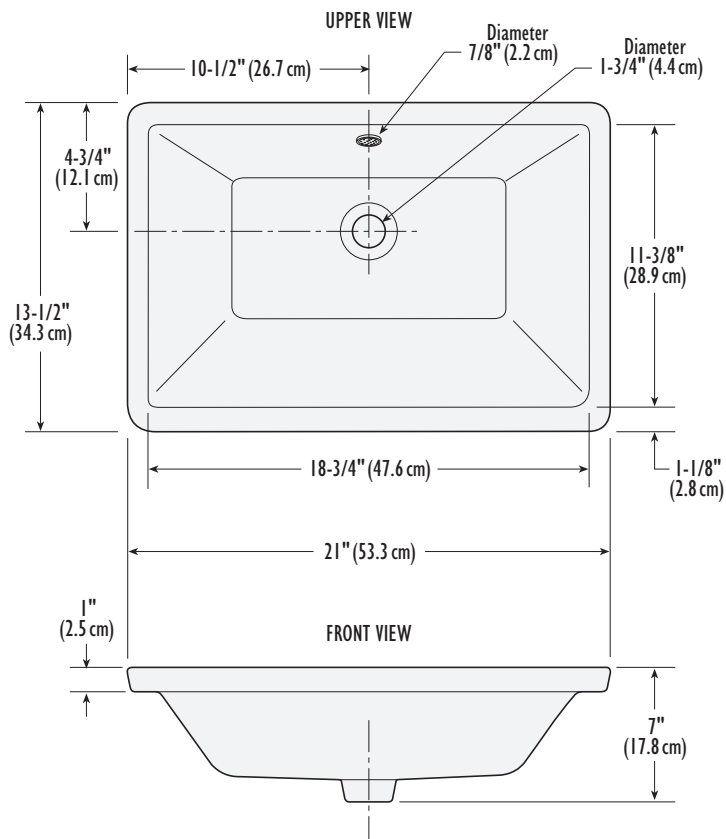
THE PROVEN LEADER  
IN FLUSHING PERFORMANCE™



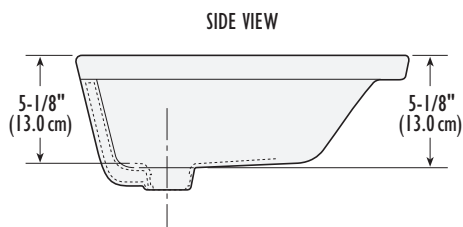
# TRIPOLI

Model 3368

## DIMENSIONS



**IMPORTANT:** Dimensions of fixtures are nominal and may vary within the range of tolerance established by the standards ASME A112.19.2 / CSA B45.1. These measurements are subject to change or cancellation. No responsibility is assumed for use of superseded or voided pages.



## SPECIFICATIONS

3368-V	Basin	14 Lbs.
Dimensions		21" x 13-1/2" Rectangular

A.D.A. Lavatory Installation Requirements: Lavatories shall be mounted with rim/ counter surface no higher than 34 inches (86.4 cm) above finished floor. Provide a clearance range of 27 - 29 inches (68.6 - 73.7 cm) from the floor to the lavatory bottom or lavatory apron depending upon the type installed. For complete details on installation requirements, see A.D.A. Installation Handbook.

## COLORS

02: White

Other: Refer to price book for additional colors/finishes

Color number is indicated between part number and letter suffix (i.e. 3464-02-V)



**U.S. CUSTOMER SERVICE**  
 Toll Free: 866-821-2811  
 customerservice@vortens.com  
 ussales@vortens.com  
 www.vortens.com

**CANADIAN CUSTOMER SERVICE**  
 Toll Free: 866-363-1365  
 canadiansales@vortens.com  
 www.vortens.com



# BERNA ADA

Model 3350



## FEATURES

Hidden Front Overflow

Contemporary-Style Lavatory

A.D.A. Compliant

5-Year Warranty on Vitreous China

V-Gloss™ High-Gloss Vitreous China –  
Durable, Nonporous

## SPECIFICATIONS

3350-V	4" Lavatory	31 Lbs.
Dimensions	22" x 18"	



Meets ASME A112.19.2 / CSA B45.1  
Faucet Not Included

THE PROVEN LEADER  
IN FLUSHING PERFORMANCE™

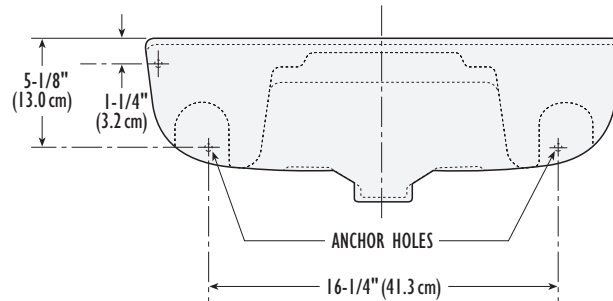
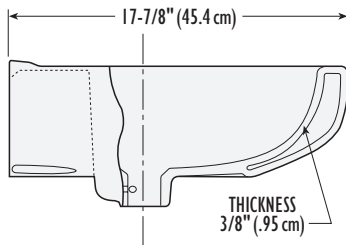
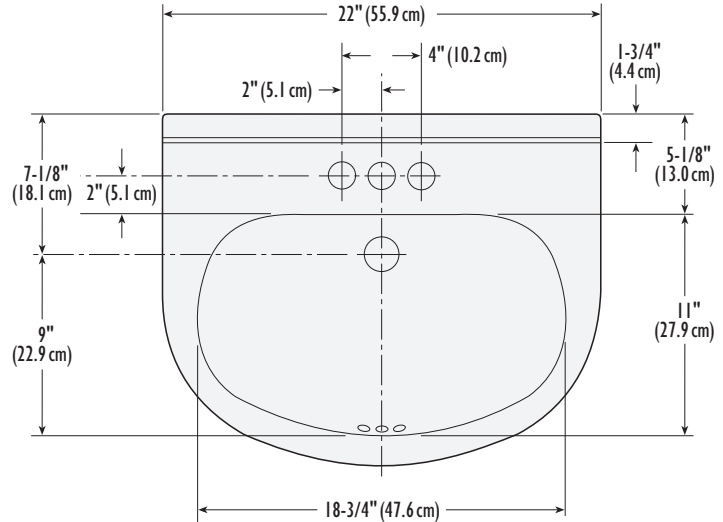
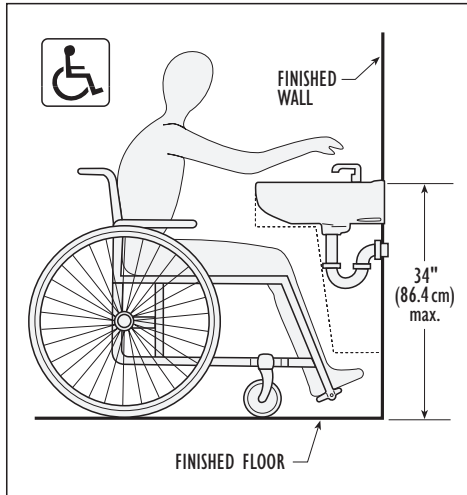
Vortens®  




# BERNA ADA

Model 3350

## DIMENSIONS



## SPECIFICATIONS

3350-V	4" Lavatory	31 Lbs.
Dimensions		22" x 18"

**IMPORTANT:** Dimensions of fixtures are nominal and may vary within the range of tolerance established by the standards ASME A112.19.2 / CSA B45.1. These measurements are subject to change or cancellation. No responsibility is assumed for use of superseded or voided pages.

A.D.A. Lavatory Installation Requirements: Lavatories shall be mounted with rim/counter surface no higher than 34 inches (86.4 cm) above finished floor. Provide a clearance range of 27 - 29 inches (68.6 - 73.7 cm) from the floor to the lavatory bottom or lavatory apron depending upon the type installed. For complete details on installation requirements, see A.D.A. Installation Handbook.

## COLORS

02: White

Other: Refer to price book for additional colors/finishes

Color number is indicated between part number and letter suffix (i.e. 3464-02-V)



**U.S. CUSTOMER SERVICE**  
Toll Free: 866-821-2811  
customerservice@vortens.com  
ussales@vortens.com  
www.vortens.com

**CANADIAN CUSTOMER SERVICE**  
Toll Free: 866-363-1365  
canadiansales@vortens.com  
www.vortens.com



# TURIN ADA

Model 3355



## FEATURES

Splash-Back Lavatory

Drilled for C.I. Wall Carrier

A.D.A. Compliant

5-Year Warranty on Vitreous China

V-Gloss™ High-Gloss Vitreous China –  
Durable, Nonporous

## SPECIFICATIONS

3355-V	4" Lavatory	36 Lbs.
3356-V	8" Lavatory	36 Lbs.
3357-V	Single Hole Lavatory	36 Lbs.
Dimensions		22" x 18"



Meets ASME A112.19.2 / CSA B45.1  
Faucet Not Included

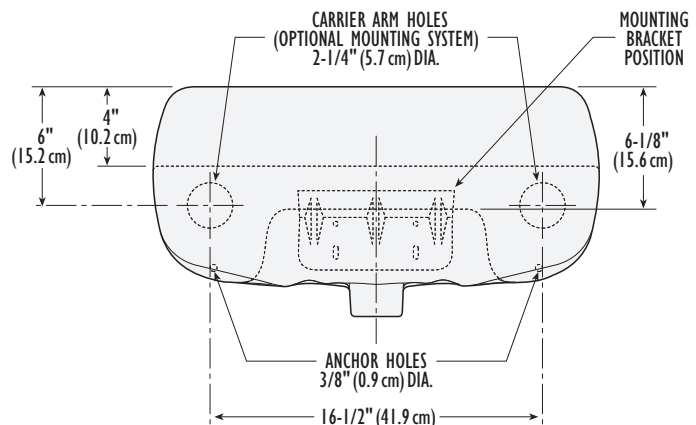
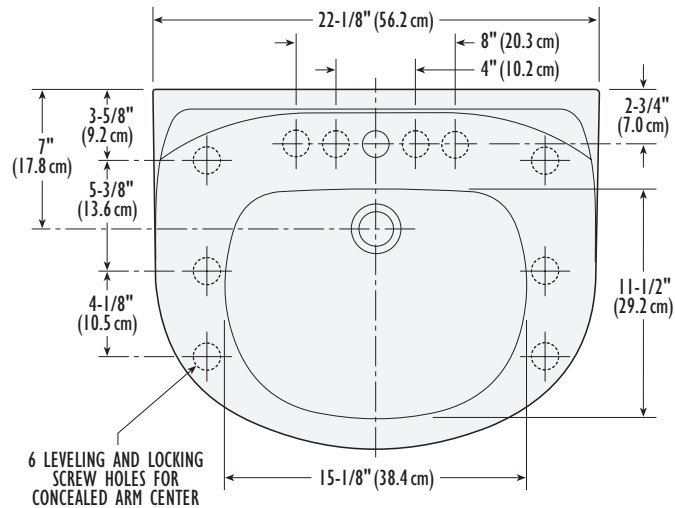
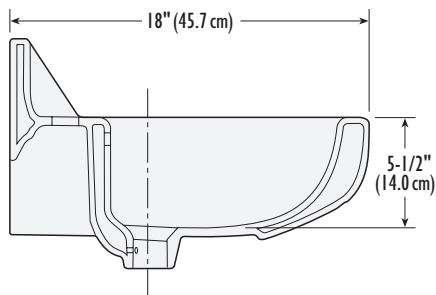
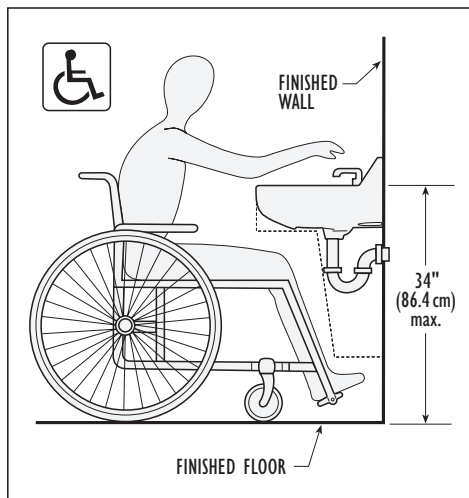
THE PROVEN LEADER  
IN FLUSHING PERFORMANCE™

Vortens®

# TURIN ADA

Model 3355

## DIMENSIONS



**IMPORTANT:** Dimensions of fixtures are nominal and may vary within the range of tolerance established by the standards ASME A112.19.2 / CSA B45.1. These measurements are subject to change or cancellation. No responsibility is assumed for use of superseded or voided pages.

## SPECIFICATIONS

3355-V	4" Lavatory	36 Lbs.
3356-V	8" Lavatory	36 Lbs.
3357-V	Single Hole Lavatory	36 Lbs.
Dimensions		22" x 18"

A.D.A. Lavatory Installation Requirements: Lavatories shall be mounted with rim/counter surface no higher than 34 inches (86.4 cm) above finished floor. Provide a clearance range of 27 - 29 inches (68.6 - 73.7 cm) from the floor to the lavatory bottom or lavatory apron depending upon the type installed. For complete details on installation requirements, see A.D.A. Installation Handbook.

## COLORS

02: White

Other: Refer to price book for additional colors/finishes

Color number is indicated between part number and letter suffix (i.e. 3464-02-V)



### U.S. CUSTOMER SERVICE

Toll Free: 866-821-2811  
 customerservice@vortens.com  
 ussales@vortens.com  
 www.vortens.com

### CANADIAN CUSTOMER SERVICE

Toll Free: 866-363-1365  
 canadiansales@vortens.com  
 www.vortens.com



# MILAN ADA

Model 3358



## FEATURES

Splash-Back Lavatory

Drilled for C.I. Wall Carrier

A.D.A. Compliant

5-Year Warranty on Vitreous China

V-Gloss™ High-Gloss Vitreous China –  
Durable, Nonporous

## SPECIFICATIONS

3358-V 4" Lavatory 38 Lbs.

Dimensions 20-3/4" x 18-1/4"



Meets ASME A112.19.2 / CSA B45.1  
Faucet Not Included

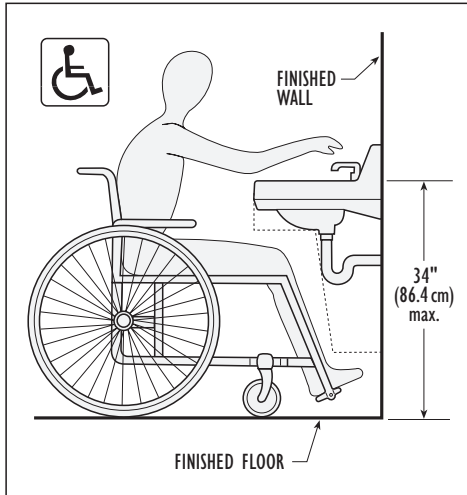
THE PROVEN LEADER  
IN FLUSHING PERFORMANCE™

Vortens®  
The Vortens logo graphic consists of several curved lines that sweep upwards and to the right, resembling a stylized 'V' or a series of waves.

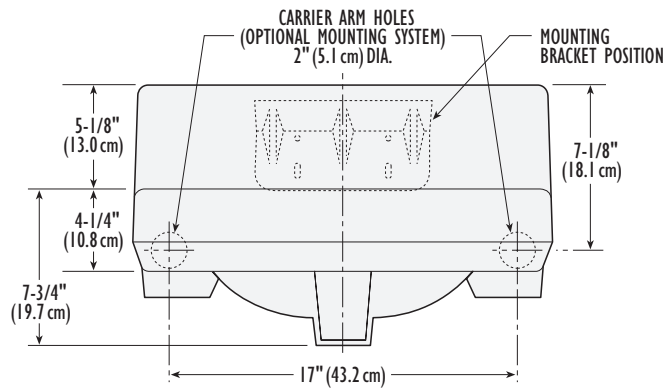
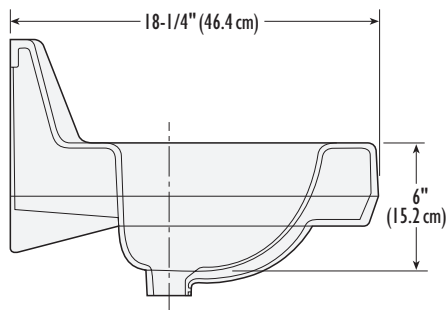
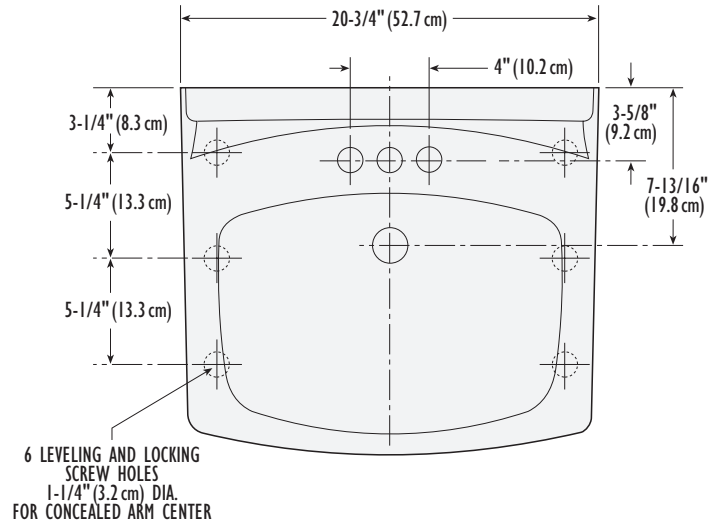
# MILAN ADA

Model 3358

## DIMENSIONS



**IMPORTANT:** Dimensions of fixtures are nominal and may vary within the range of tolerance established by the standards ASME A112.19.2 / CSA B45.1. These measurements are subject to change or cancellation. No responsibility is assumed for use of superseded or voided pages.



## SPECIFICATIONS

3358-V	4" Lavatory	38 Lbs.
3359-V	8" Lavatory	38 Lbs.
3360-V	Single Hole Lavatory	38 Lbs.
Dimensions	20-3/4" x 18-1/4"	

A.D.A. Lavatory Installation Requirements: Lavatories shall be mounted with rim/counter surface no higher than 34 inches (86.4 cm) above finished floor. Provide a clearance range of 27 - 29 inches (68.6 - 73.7 cm) from the floor to the lavatory bottom or lavatory apron depending upon the type installed. For complete details on installation requirements, see A.D.A. Installation Handbook.

## COLORS

02: White

Other: Refer to price book for additional colors/finishes

Color number is indicated between part number and letter suffix (i.e. 3464-02-V)



**U.S. CUSTOMER SERVICE**  
Toll Free: 866-821-2811  
customerservice@vortens.com  
ussales@vortens.com  
www.vortens.com

**CANADIAN CUSTOMER SERVICE**  
Toll Free: 866-363-1365  
canadiansales@vortens.com  
www.vortens.com



# CIVIC

Model 3596



## FEATURES

Hidden Front Overflow

5-Year Warranty on Vitreous China

V-Gloss™ High-Gloss Vitreous China –  
Durable, Nonporous

## SPECIFICATIONS

3596-V	4" Lavatory	20 Lbs.
Dimensions	18-7/8" x 15" Oval	

Meets ASME A112.19.2 / CSA B45.1  
Faucet Not Included

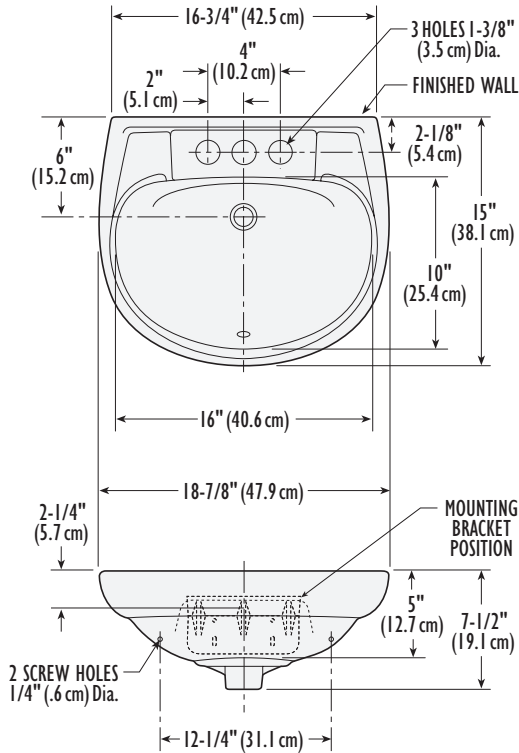
THE PROVEN LEADER  
IN FLUSHING PERFORMANCE™



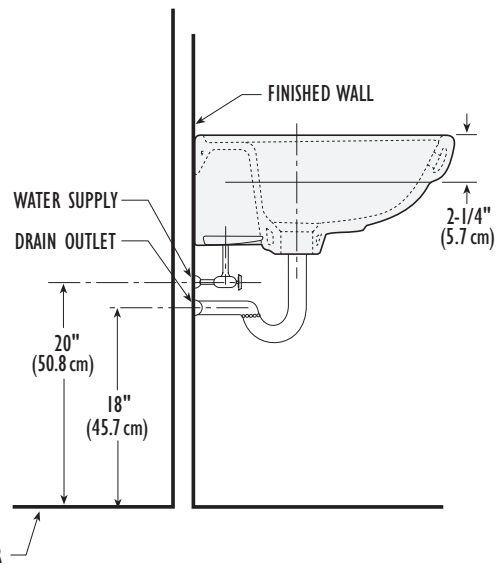
# CIVIC

Model 3596

## DIMENSIONS



**IMPORTANT:** Dimensions of fixtures are nominal and may vary within the range of tolerance established by the standards ASME A112.19.2 / CSA B45.1. These measurements are subject to change or cancellation. No responsibility is assumed for use of superseded or voided pages.



## SPECIFICATIONS

3596-V	4" Lavatory	20 Lbs.
Dimensions		18-7/8" x 15" Oval

## COLORS

02: White

Other: Refer to price book for additional colors/finishes

Color number is indicated between part number and letter suffix (i.e. 3464-02-V)



**U.S. CUSTOMER SERVICE**  
 Toll Free: 866-821-2811  
 customerservice@vortens.com  
 ussales@vortens.com  
 www.vortens.com

**CANADIAN CUSTOMER SERVICE**  
 Toll Free: 866-363-1365  
 canadiansales@vortens.com  
 www.vortens.com



# Vortens<sup>®</sup>

ALL PERFORMANCE.  
NO PROBLEMS.



COMMERCIAL  
FIXTURES

THE PROVEN LEADER  
IN FLUSHING PERFORMANCE<sup>™</sup>



# VIENNA ADA FLUX HET

Model 3114



## FEATURES

2-1/8" Fully Glazed Trapway –  
Passes a 2" Ball

High-Efficiency Toilet (HET) with  
Powerful 1.28 gpf/4.8 lpf Flush

Can be Used with 1.6 gpf/6.0 lpf  
Flush Valve

Powerful Jet Flush

Flushes 1,000 grams of solids\*

Equipped with – 1-1/2" Brass Top Spud

Extra-Large 10" x 12" Water Surface

A.D.A. Compliant – 17" High

5-Year Warranty on Vitreous China

V-Gloss™ High-Gloss Vitreous China –  
Durable, Nonporous

Bowl Shape Compatible with Bemis®  
1955CT Toilet Seat

## SPECIFICATIONS

3114-V    10" Rough-In Bowl    51 Lbs.



Meets ASME A112.19.2 / CSA B45.1  
Seat and Flush Valve Not Included

\*per MaP test

THE PROVEN LEADER  
IN FLUSHING PERFORMANCE™

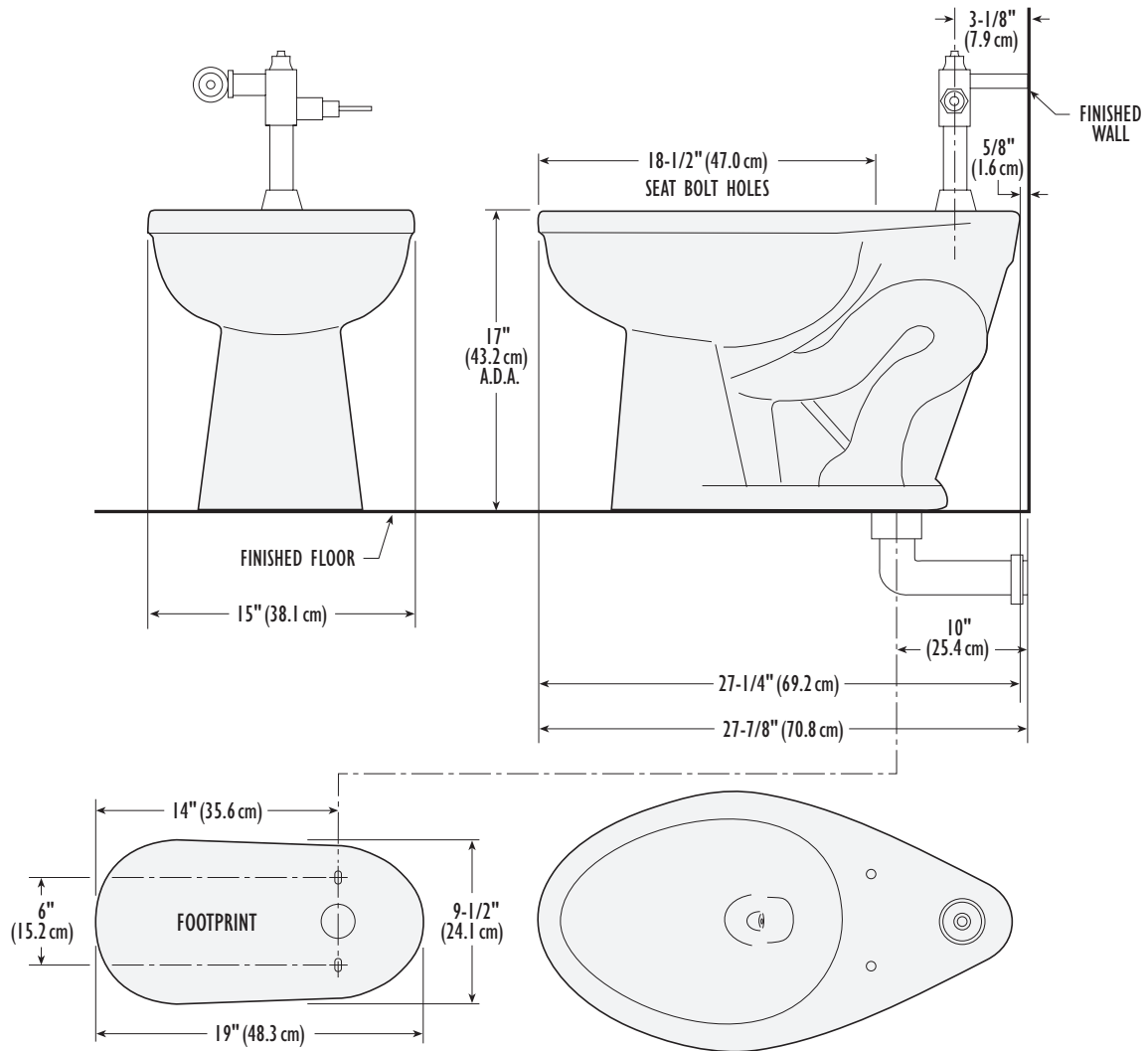
Vortens®

# VIENNA ADA FLUX HET

Model 3114

## DIMENSIONS

**IMPORTANT:** Dimensions of fixtures are nominal and may vary within the range of tolerance established by the standards ASME A112.19.2 / CSA B45.1. These measurements are subject to change or cancellation. No responsibility is assumed for use of superseded or voided pages.



## SPECIFICATIONS

3114-V 10" Rough-In Bowl 51 Lbs.

## COLORS

02: White

Other: Refer to price book for additional colors/finishes

Color number is indicated between part number and letter suffix (i.e. 3464-02-V)



**U.S. CUSTOMER SERVICE**  
 Toll Free: 866-821-2811  
[customerservice@vortens.com](mailto:customerservice@vortens.com)  
[ussales@vortens.com](mailto:ussales@vortens.com)  
[www.vortens.com](http://www.vortens.com)

**CANADIAN CUSTOMER SERVICE**  
 Toll Free: 866-363-1365  
[canadiansales@vortens.com](mailto:canadiansales@vortens.com)  
[www.vortens.com](http://www.vortens.com)



# VIENNA EL FLUX HET

Model 3115



## FEATURES

2-1/8" Fully Glazed Trapway –  
Passes a 2" Ball

High-Efficiency Toilet (HET) with  
Powerful 1.28 gpf/4.8 lpf Flush

Can be Used with 1.6 gpf/6.0 lpf  
Flush Valve

Powerful Jet Flush

Flushes 1,000 grams of solids\*

Equipped with – 1-1/2" Brass Top Spud

Extra-Large 10" x 12" Water Surface

5-Year Warranty on Vitreous China

V-Gloss™ High-Gloss Vitreous China –  
Durable, Nonporous

Bowl Shape Compatible with Bemis®  
1955CT Toilet Seat

## SPECIFICATIONS

3115-V    10" Rough-In Bowl    46 Lbs.



Meets ASME A112.19.2 / CSA B45.1  
Seat and Flush Valve Not Included

\*per MaP test

THE PROVEN LEADER  
IN FLUSHING PERFORMANCE™

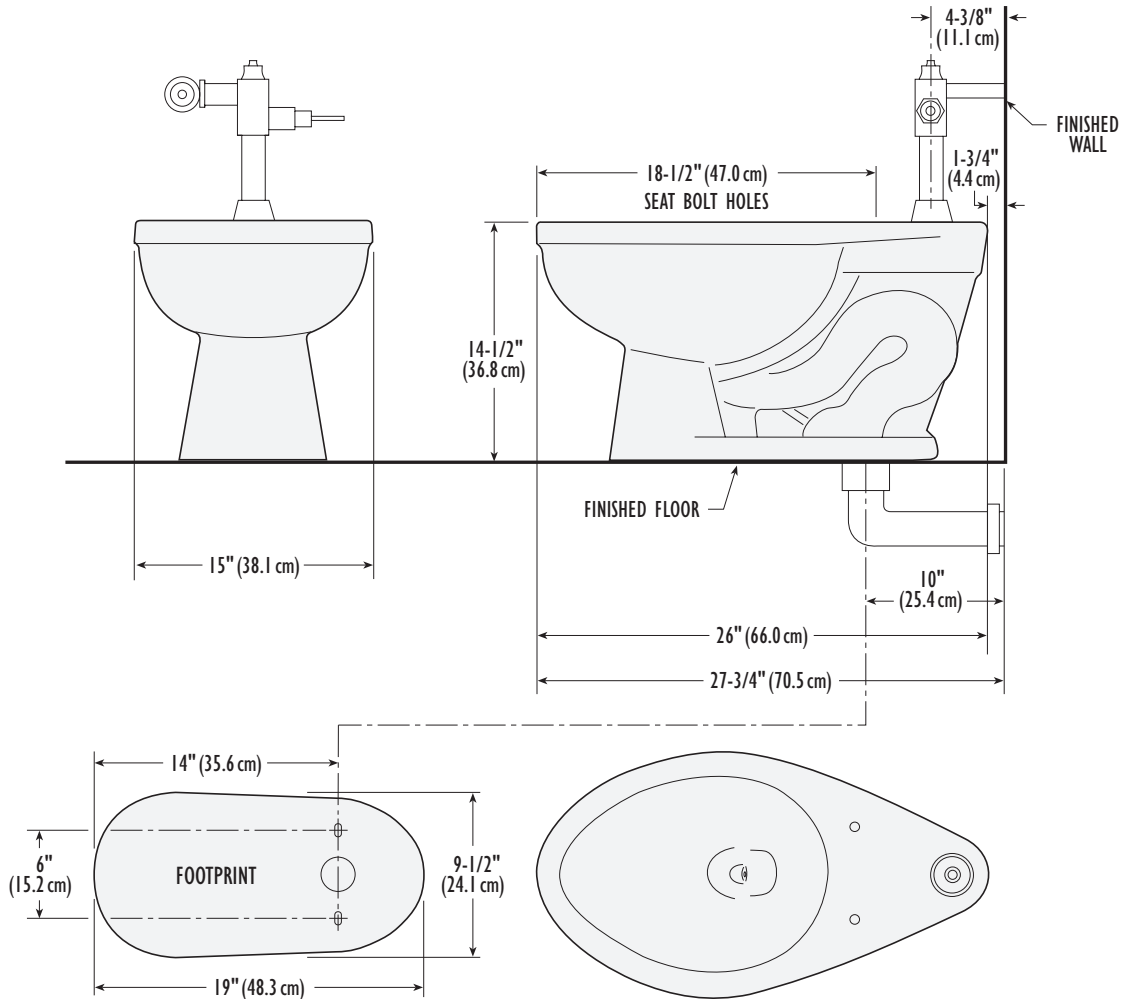


# VIENNA EL FLUX HET

Model 3115

## DIMENSIONS

**IMPORTANT:** Dimensions of fixtures are nominal and may vary within the range of tolerance established by the standards ASME A112.19.2 / CSA B45.1. These measurements are subject to change or cancellation. No responsibility is assumed for use of superseded or voided pages.



## SPECIFICATIONS

3115-V 10" Rough-In Bowl 46 Lbs.

## COLORS

02: White

Other: Refer to price book for additional colors/finishes

Color number is indicated between part number and letter suffix (i.e. 3464-02-V)



**U.S. CUSTOMER SERVICE**  
Toll Free: 866-821-2811  
customerservice@vortens.com  
ussales@vortens.com  
www.vortens.com

**CANADIAN CUSTOMER SERVICE**  
Toll Free: 866-363-1365  
canadiansales@vortens.com  
www.vortens.com



# ATENAS ADA FLUX HET

Model 3108

## FEATURES

2-1/8" Fully Glazed Trapway –  
Passes a 2" Ball

High-Efficiency Toilet (HET) with  
Powerful 1.28 gpf/4.8 lpf Flush

Can be Used with 1.6 gpf/6.0 lpf  
Flush Valve

Powerful Siphon Jet Flushing Action

Flushes 1,000 grams of solids\*

Equipped with – 1-1/2" Brass Top Spud

Extra-Large 9" x 9-1/2" Water Surface

A.D.A. Compliant

5-Year Warranty on Vitreous China

V-Gloss™ High-Gloss Vitreous China –  
Durable, Nonporous

Bowl Shape Compatible with Bemis®  
1955CT Toilet Seat

## SPECIFICATIONS

3108-V    Elongated Bowl    51 Lbs.



Meets ASME A112.19.2 / CSA B45.1  
Seat and Flush Valve Not Included

\*per MaP test

THE PROVEN LEADER  
IN FLUSHING PERFORMANCE™

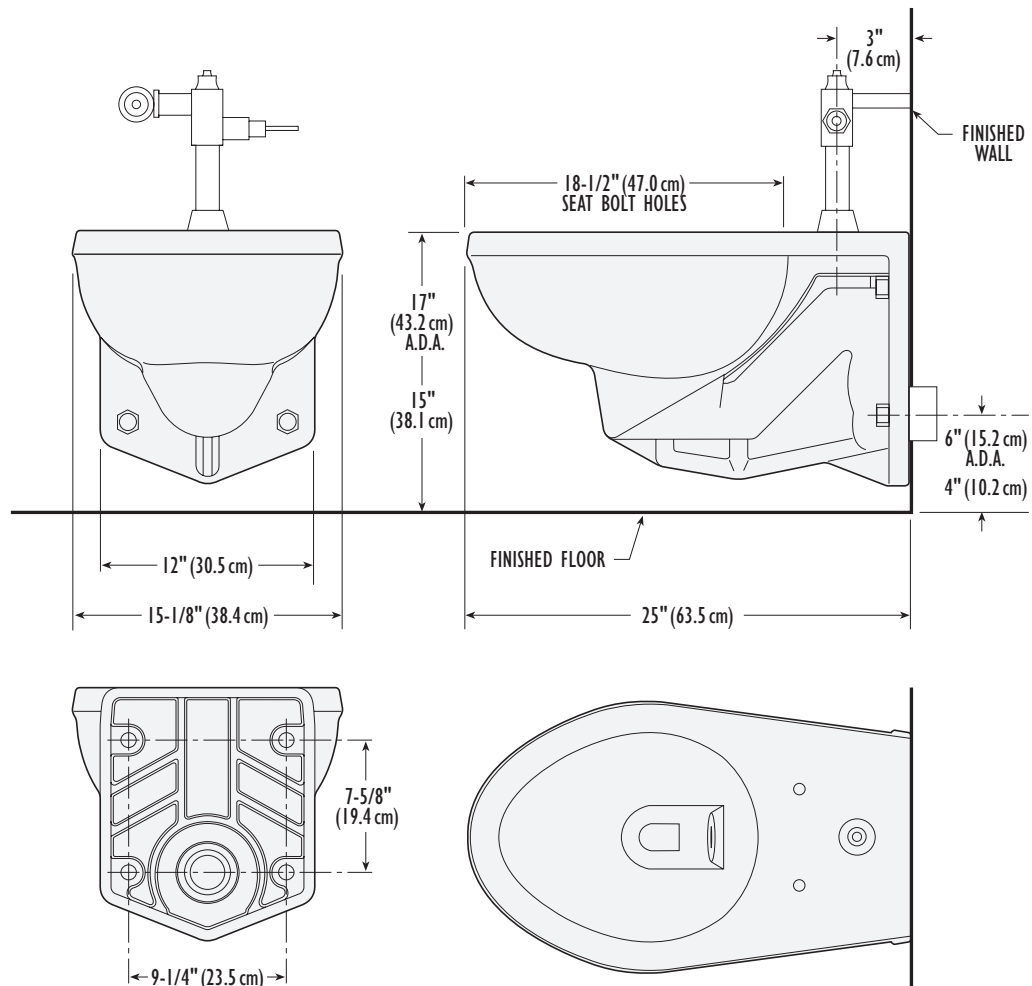


# ATENAS ADA FLUX HET

Model 3108

## DIMENSIONS

**IMPORTANT:** Dimensions of fixtures are nominal and may vary within the range of tolerance established by the standards ASME A112.19.2 / CSA B45.1. These measurements are subject to change or cancellation. No responsibility is assumed for use of superseded or voided pages.



## SPECIFICATIONS

3108-V Elongated Bowl 51 Lbs.

## COLORS

02: White

Other: Refer to price book for additional colors/finishes

Color number is indicated between part number and letter suffix (i.e. 3464-02-V)



**U.S. CUSTOMER SERVICE**  
Toll Free: 866-821-2811  
customerservice@vortens.com  
ussales@vortens.com  
www.vortens.com

**CANADIAN CUSTOMER SERVICE**  
Toll Free: 866-363-1365  
canadiansales@vortens.com  
www.vortens.com



# TRENTO ADA FLUX HET

Model 3145



## FEATURES

2-1/8" Fully Glazed Trapway –  
Passes a 2" Ball

High-Efficiency Toilet (HET) with  
Powerful 1.28 gpf/4.8 lpf Flush

Can be Used with 1.6 gpf/6.0 lpf  
Flush Valve

Powerful Jet Flush

Flushes 1,000 grams of solids

Extra-Large 10" x 12" Water Surface

Extra-Large Footprint

Ideal Height™ A.D.A. Compliant –  
16-1/2" High

5-Year Warranty on Vitreous China

V-Gloss™ High-Gloss Vitreous China –  
Durable, Nonporous

Bowl Shape Compatible with Bemis®  
1955CT & 1800 Toilet Seats

## SPECIFICATIONS

3145-V    Elongated Bowl    62 Lbs.



Meets ASME A112.19.2 / CSA B45.1  
Seat and Flush Valve Not Included

THE PROVEN LEADER  
IN FLUSHING PERFORMANCE™

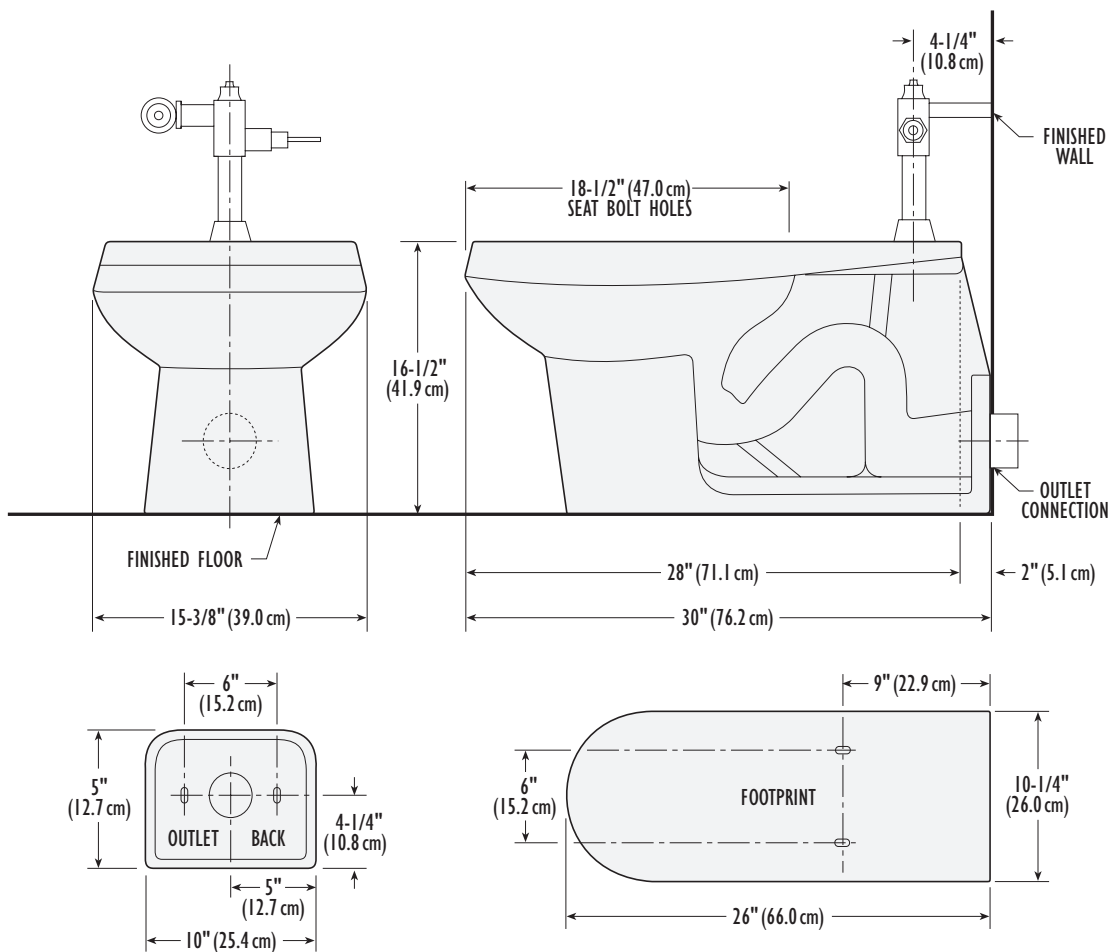
Vortens®

# TRENTO ADA FLUX HET

Model 3145

## DIMENSIONS

**IMPORTANT:** Dimensions of fixtures are nominal and may vary within the range of tolerance established by the standards ASME A112.19.2 / CSA B45.1. These measurements are subject to change or cancellation. No responsibility is assumed for use of superseded or voided pages.



## SPECIFICATIONS

3145-V Elongated Bowl 62 Lbs.

## COLORS

02: White

Other: Refer to price book for additional colors/finishes

Color number is indicated between part number and letter suffix (i.e. 3464-02-V)



**U.S. CUSTOMER SERVICE**  
 Toll Free: 866-821-2811  
 customerservice@vortens.com  
 ussales@vortens.com  
 www.vortens.com

**CANADIAN CUSTOMER SERVICE**  
 Toll Free: 866-363-1365  
 canadiansales@vortens.com  
 www.vortens.com





# TRENTO ADA HET

Model 3144-3471



## FEATURES

2-1/8" Fully Glazed Trapway – Passes a 2" Ball

High-Efficiency Toilet (HET) with Powerful Pressure-Assist  
1.28 gpf/4.8 lpf Flush

Extra-Quiet Flushing Action

Equipped with Sloan Flushmate® IV

Flushes 1,000 grams of solids

Extra-Large 10" x 12" Water Surface

Extra-Large Footprint

Ideal Height™ A.D.A. Compliant – 16-1/2" High

5-Year Warranty on Vitreous China

V-Gloss™ High-Gloss Vitreous China – Durable, Nonporous

Bowl Shape Compatible with Bemis® 1955CT & 1800 Toilet Seats

## SPECIFICATIONS

3144-V Elongated Bowl 64 Lbs.

3471-V 12" Rough-In Tank 37 Lbs.

See other side for additional options



Meets ASME A112.19.2 / CSA B45.1  
Seat Not Included

THE PROVEN LEADER  
IN FLUSHING PERFORMANCE™

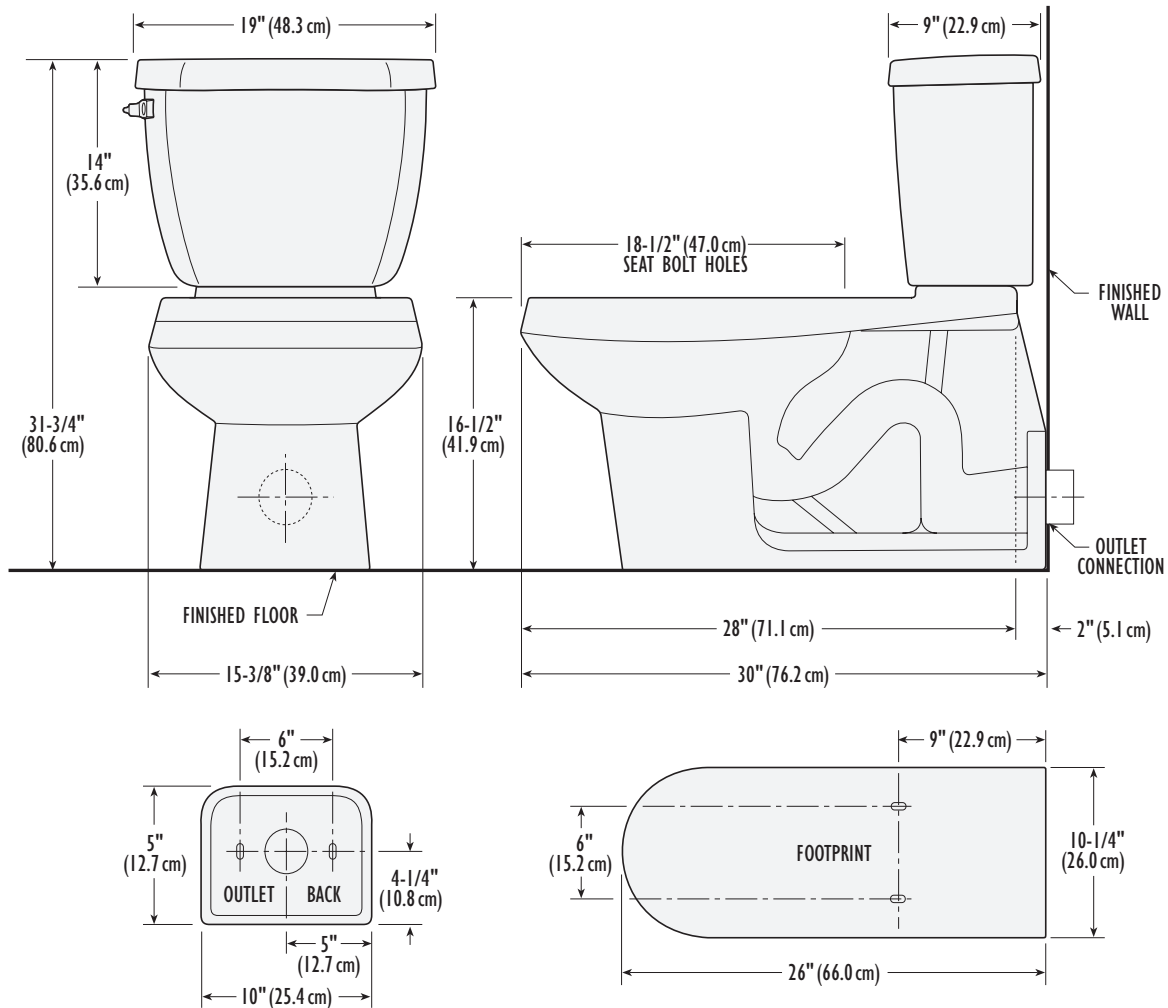


# TRENTO ADA HET

Model 3144-3471

## DIMENSIONS

**IMPORTANT:** Dimensions of fixtures are nominal and may vary within the range of tolerance established by the standards ASME A112.19.2 / CSA B45.1. These measurements are subject to change or cancellation. No responsibility is assumed for use of superseded or voided pages.



## SPECIFICATIONS

3144-V	Elongated Bowl	64 Lbs.
3471-V	12" Rough-In Tank 1.28 gpf/4.8 lpf Flush	37 Lbs.
3478-V	12" Right-Hand Tank 1.28 gpf/4.8 lpf Flush	37 Lbs.
3468-V	12" Rough-In Tank 1.6 gpf/6.0 lpf Flush	37 Lbs.
3470-V	12" Right-Hand Tank 1.6 gpf/6.0 lpf Flush	37 Lbs.

## COLORS

02: White

Other: Refer to price book for additional colors/finishes

Color number is indicated between part number and letter suffix (i.e. 3464-02-V)



**U.S. CUSTOMER SERVICE**  
 Toll Free: 866-821-2811  
 customerservice@vortens.com  
 ussales@vortens.com  
 www.vortens.com

**CANADIAN CUSTOMER SERVICE**  
 Toll Free: 866-363-1365  
 canadiansales@vortens.com  
 www.vortens.com



# VERONA ADA HEU

Model 3621

1 PINT



## FEATURES

Ultra Efficient 1 Pint 0.125 gpf/0.5 lpf  
or 0.5 gpf/ 1.9 lpf

Can be Used with 1.0 gpf/ 3.8 lpf  
Flush Valve

Equipped with – 3/4" Brass Top Spud  
& 2" Brass Outlet

A.D.A. Compliant

5-Year Warranty on Vitreous China

V-Gloss™ High-Gloss Vitreous China –  
Durable, Nonporous

## SPECIFICATIONS

3621-V High-Efficiency Urinal 52 Lbs.



Meets ASME A112.19.2 / CSA B45.1  
Flush Valve Not Included

THE PROVEN LEADER  
IN FLUSHING PERFORMANCE™

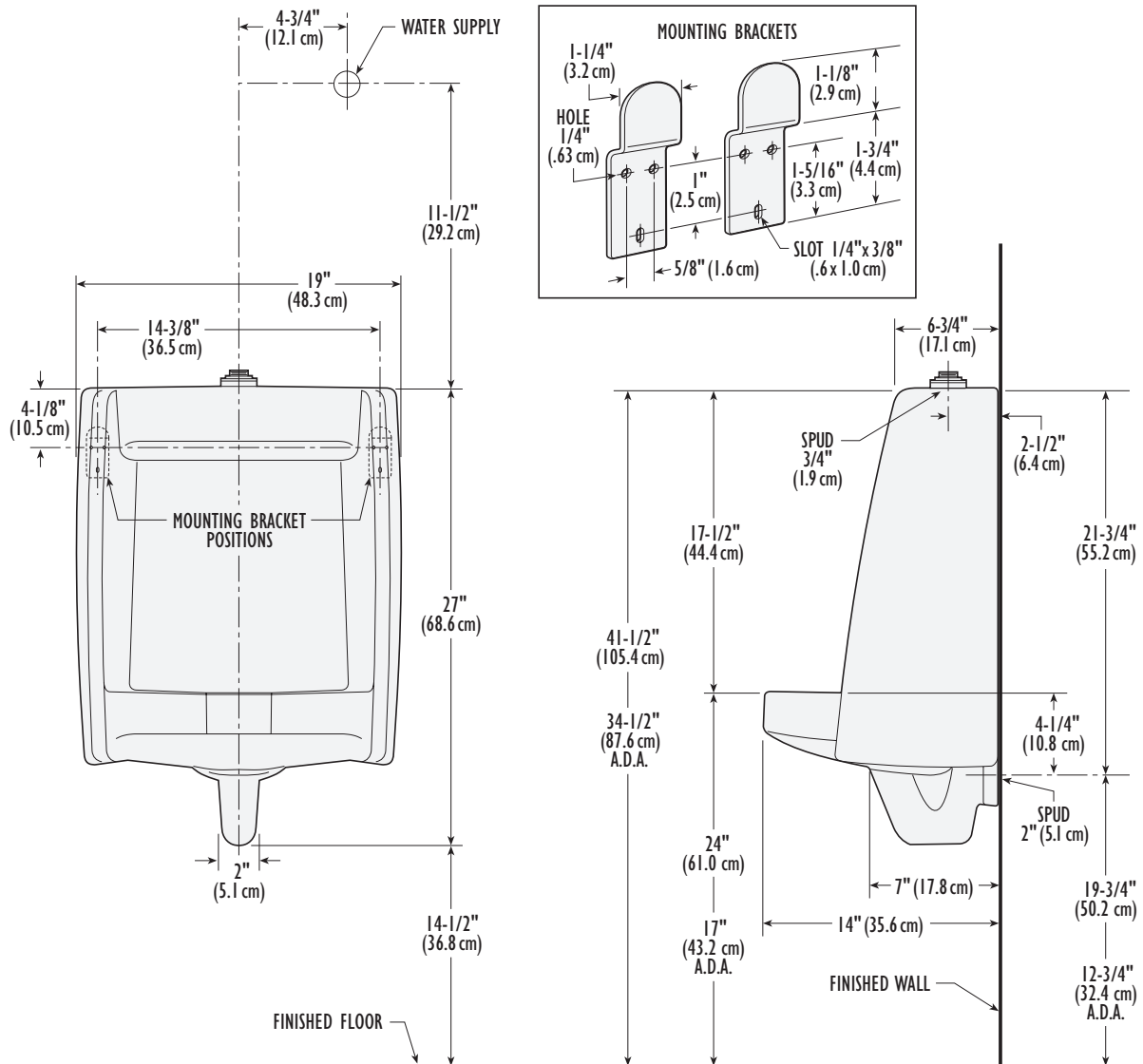
Vortens®

# VERONA ADA HEU

Model 3621

## DIMENSIONS

**IMPORTANT:** Dimensions of fixtures are nominal and may vary within the range of tolerance established by the standards ASME A112.19.2 / CSA B45.1. These measurements are subject to change or cancellation. No responsibility is assumed for use of superseded or voided pages.



## SPECIFICATIONS

3621-V High-Efficiency Urinal 52 Lbs.

## COLORS

02: White

Other: Refer to price book for additional colors/finishes

Color number is indicated between part number and letter suffix (i.e. 3464-02-V)



**U.S. CUSTOMER SERVICE**  
 Toll Free: 866-821-2811  
 customerservice@vortens.com  
 ussales@vortens.com  
 www.vortens.com

**CANADIAN CUSTOMER SERVICE**  
 Toll Free: 866-363-1365  
 canadiansales@vortens.com  
 www.vortens.com



# AUSTRAL ADA HEU

Model 3601

1 PINT



## FEATURES

Ultra Efficient 1 Pint 0.125 gpf/0.5 lpf  
or 0.5 gpf/ 1.9 lpf

Integral Trap

Equipped with – 3/4" Brass Top Spud  
& 2" Brass Outlet

A.D.A. Compliant

5-Year Warranty on Vitreous China

V-Gloss™ High-Gloss Vitreous China –  
Durable, Nonporous

## SPECIFICATIONS

3601-V High-Efficiency Urinal 35 Lbs.



Meets ASME A112.19.2 / CSA B45.1  
Flush Valve Not Included

THE PROVEN LEADER  
IN FLUSHING PERFORMANCE™

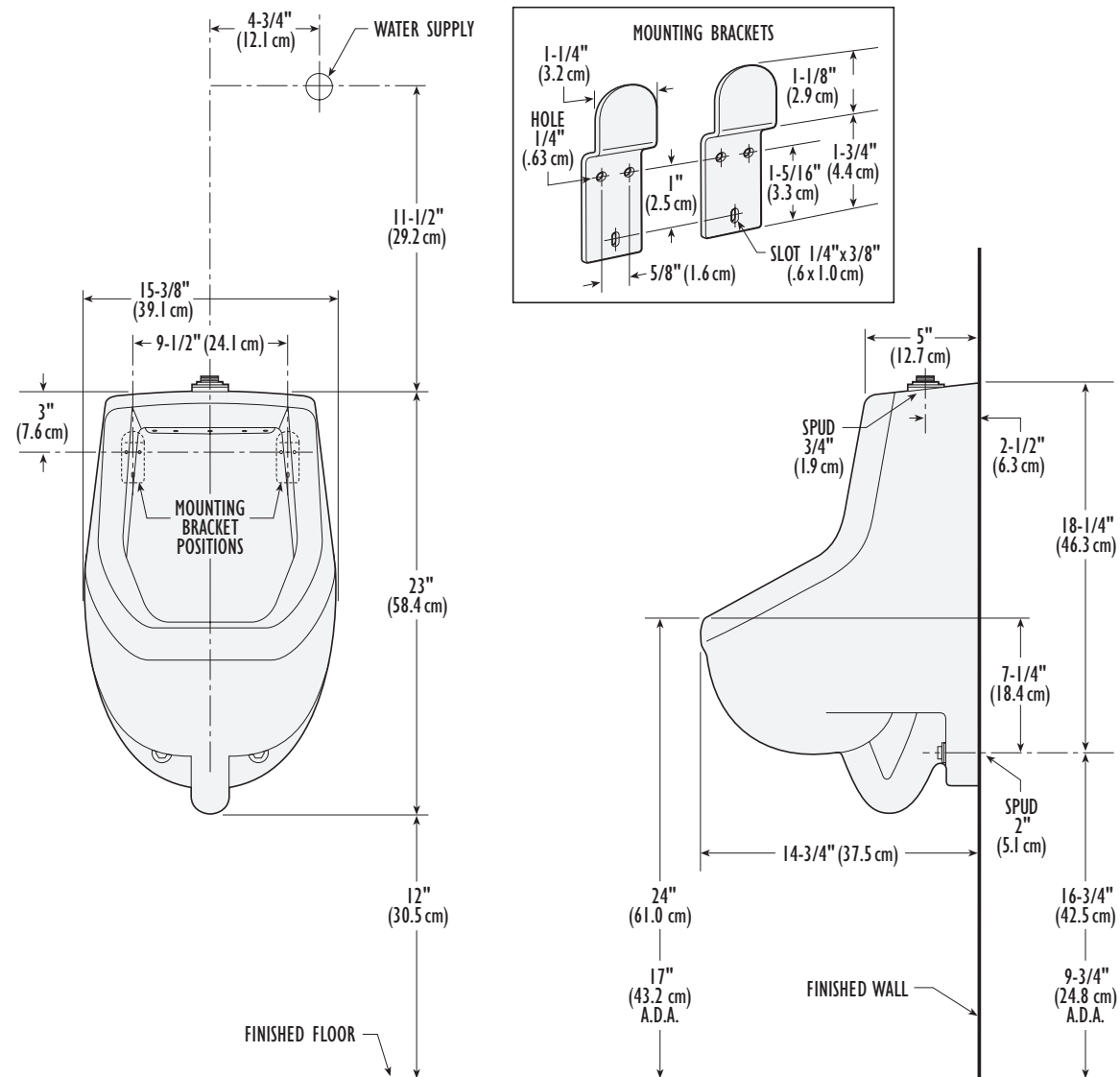
Vortens®  


# AUSTRAL ADA HEU

Model 3601

## DIMENSIONS

**IMPORTANT:** Dimensions of fixtures are nominal and may vary within the range of tolerance established by the standards ASME A112.19.2 / CSA B45.1. These measurements are subject to change or cancellation. No responsibility is assumed for use of superseded or voided pages.



## SPECIFICATIONS

3601-V High-Efficiency Urinal 35 Lbs.

## COLORS

02: White

Other: Refer to price book for additional colors/finishes

Color number is indicated between part number and letter suffix (i.e. 3464-02-V)



**U.S. CUSTOMER SERVICE**  
Toll Free: 866-821-2811  
customerservice@vortens.com  
ussales@vortens.com  
www.vortens.com

**CANADIAN CUSTOMER SERVICE**  
Toll Free: 866-363-1365  
canadiansales@vortens.com  
www.vortens.com



# KYOTO ADA

Model 3630



## FEATURES

Efficient 1.0 gpf/3.8 lpf

Integral Trap

Equipped with – 3/4" Brass Top Spud  
& 2" Bottom Spud

A.D.A. Compliant

5-Year Warranty on Vitreous China

V-Gloss™ High-Gloss Vitreous China –  
Durable, Nonporous

## SPECIFICATIONS

3630-V      Urinal      41 Lbs.



Meets ASME A112.19.2 / CSA B45.1  
Flush Valve Not Included

THE PROVEN LEADER  
IN FLUSHING PERFORMANCE™

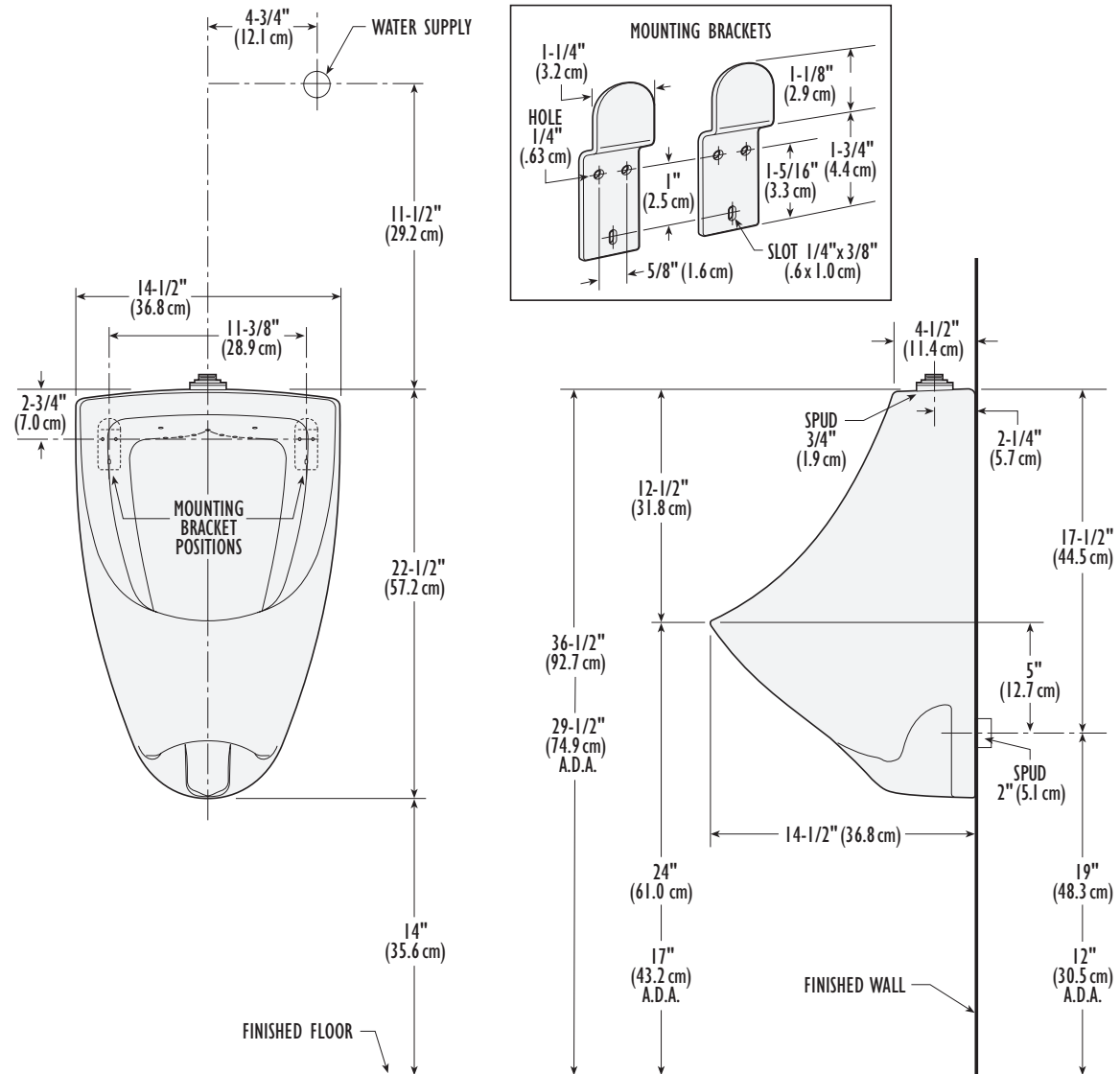
Vortens®

# KYOTO ADA

Model 3630

## DIMENSIONS

**IMPORTANT:** Dimensions of fixtures are nominal and may vary within the range of tolerance established by the standards ASME A112.19.2 / CSA B45.1. These measurements are subject to change or cancellation. No responsibility is assumed for use of superseded or voided pages.



## SPECIFICATIONS

3630-V Urinal 41 Lbs.

## COLORS

02: White

Other: Refer to price book for additional colors/finishes

Color number is indicated between part number and letter suffix (i.e. 3464-02-V)



**U.S. CUSTOMER SERVICE**  
Toll Free: 866-821-2811  
customerservice@vortens.com  
ussales@vortens.com  
www.vortens.com

**CANADIAN CUSTOMER SERVICE**  
Toll Free: 866-363-1365  
canadiansales@vortens.com  
www.vortens.com





# KYOTO KAI ADA

Model 3631



## FEATURES

Efficient 1.0 gpf/3.8 lpf

Integral Trap

Equipped with – 3/4" Brass Top Spud  
& 2" Bottom Spud

A.D.A. Compliant

5-Year Warranty on Vitreous China

V-Gloss™ High-Gloss Vitreous China –  
Durable, Nonporous

## SPECIFICATIONS

3631-V      Urinal      51 Lbs.



Meets ASME A112.19.2 / CSA B45.1  
Flush Valve Not Included

THE PROVEN LEADER  
IN FLUSHING PERFORMANCE™

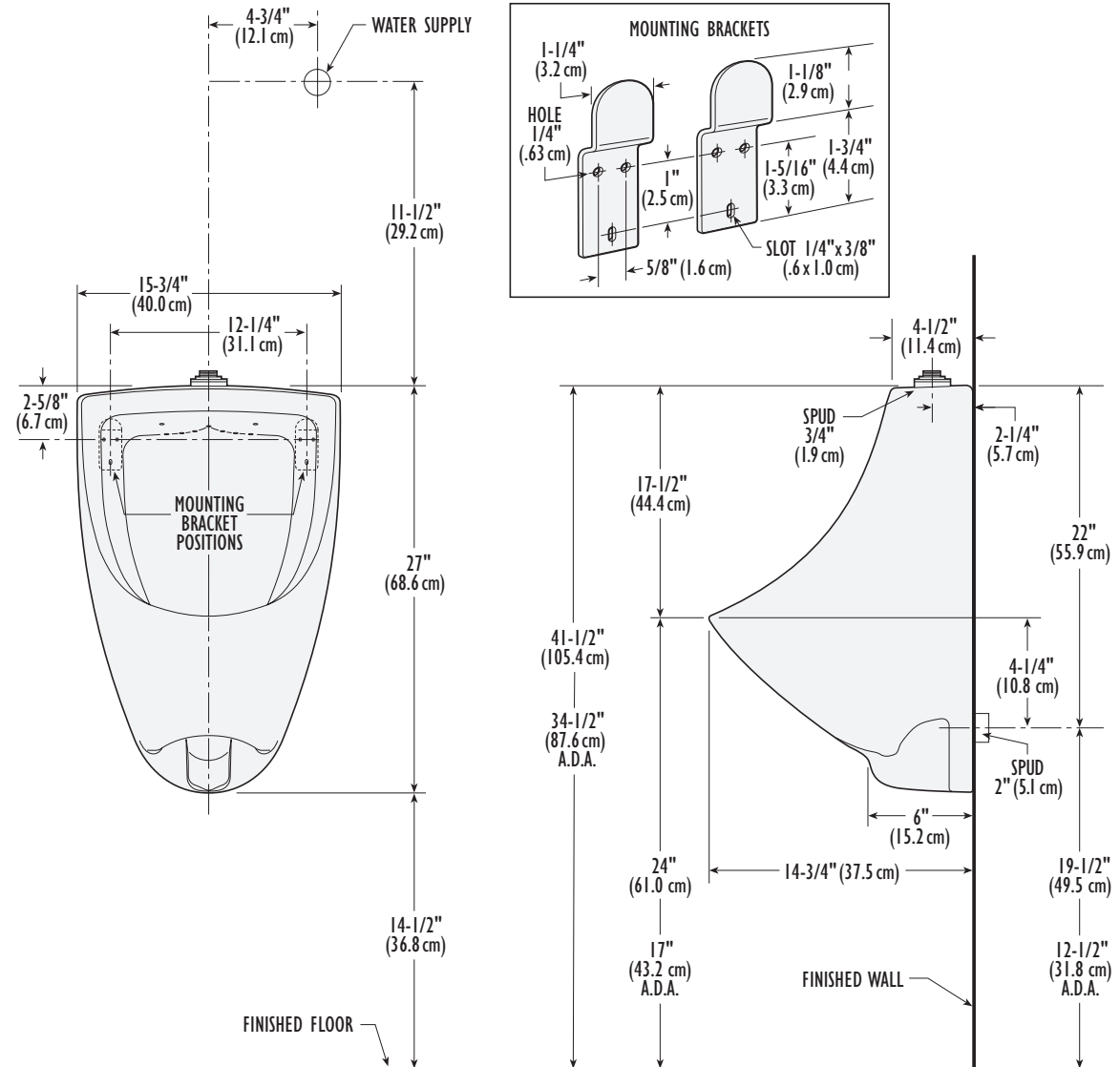
Vortens®

# KYOTO KAI ADA

Model 3631

## DIMENSIONS

**IMPORTANT:** Dimensions of fixtures are nominal and may vary within the range of tolerance established by the standards ASME A112.19.2 / CSA B45.1. These measurements are subject to change or cancellation. No responsibility is assumed for use of superseded or voided pages.



## SPECIFICATIONS

3631-V Urinal

51 Lbs.

## COLORS

02: White

Other: Refer to price book for additional colors/finishes

Color number is indicated between part number and letter suffix (i.e. 3464-02-V)



**U.S. CUSTOMER SERVICE**  
 Toll Free: 866-821-2811  
 customerservice@vortens.com  
 ussales@vortens.com  
 www.vortens.com

**CANADIAN CUSTOMER SERVICE**  
 Toll Free: 866-363-1365  
 canadiansales@vortens.com  
 www.vortens.com



# DERBY

Model 3640

1 PINT



## FEATURES

Ultra Efficient 1 Pint 0.125 gpf/0.5 lpf  
or 0.5 gpf/ 1.9 lpf

---

Hidden Trap

---

Equipped with – 3/4" Brass Top Spud  
& 2" Brass Outlet

---

5-Year Warranty on Vitreous China

---

V-Gloss™ High-Gloss Vitreous China –  
Durable, Nonporous

---

## SPECIFICATIONS

---

3640-V	Urinal	31 Lbs.
--------	--------	---------

---

Meets ASME A112.19.2 / CSA B45.1  
Flush Valve Not Included

THE PROVEN LEADER  
IN FLUSHING PERFORMANCE™

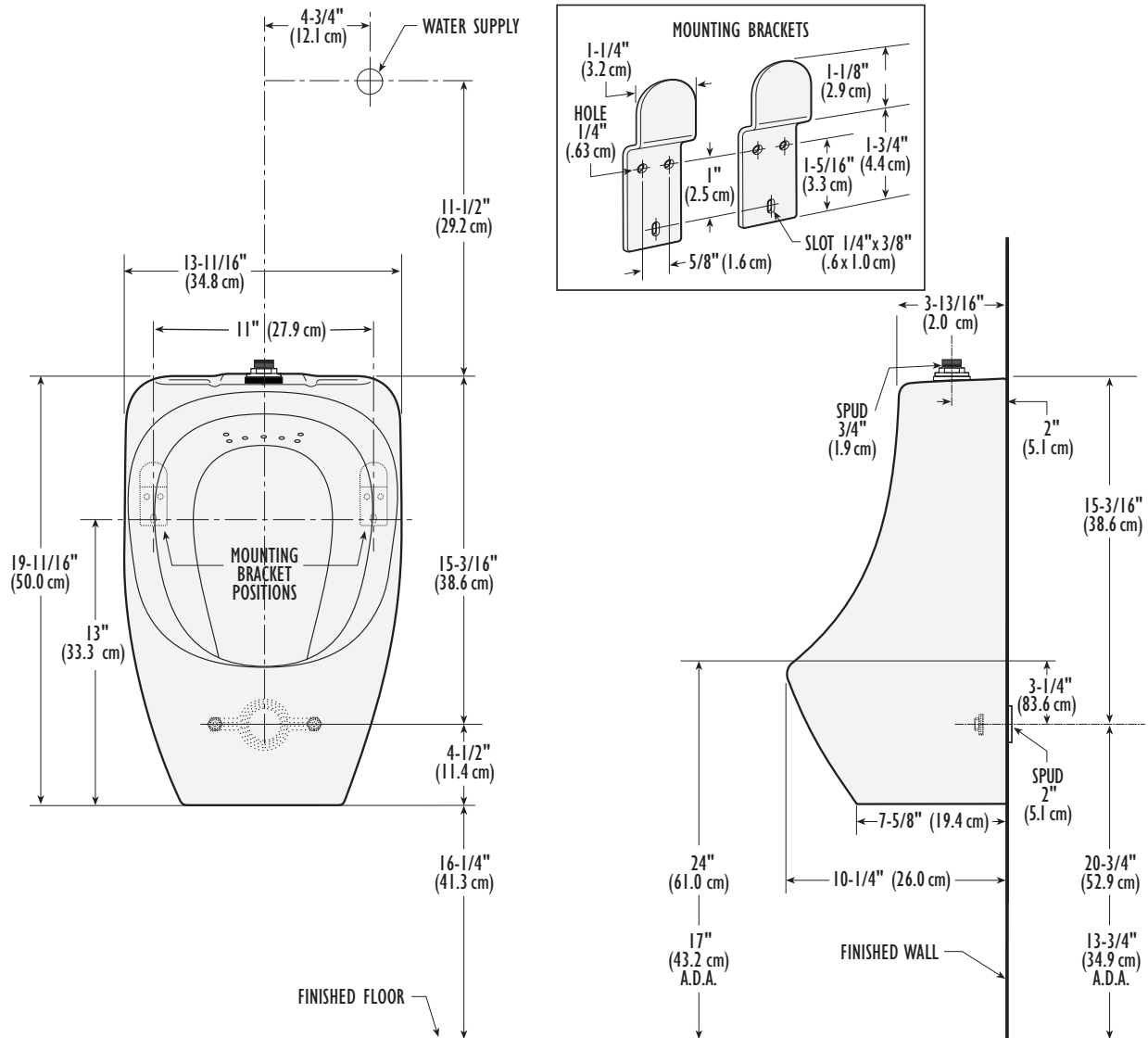


# DERBY

Model 3640

## DIMENSIONS

**IMPORTANT:** Dimensions of fixtures are nominal and may vary within the range of tolerance established by the standards ASME A112.19.2 / CSA B45.1. These measurements are subject to change or cancellation. No responsibility is assumed for use of superseded or voided pages.



## SPECIFICATIONS

3640-V Urinal 31 Lbs.

## COLORS

02: White

Other: Refer to price book for additional colors/finishes

Color number is indicated between part number and letter suffix (i.e. 3464-02-V)



**U.S. CUSTOMER SERVICE**  
 Toll Free: 866-821-2811  
 customerservice@vortens.com  
 ussales@vortens.com  
 www.vortens.com

**CANADIAN CUSTOMER SERVICE**  
 Toll Free: 866-363-1365  
 canadiansales@vortens.com  
 www.vortens.com

