

TORNADO ADA HET

Model 3134-3471



FEATURES

2-1/4" Fully Glazed Trapway – Passes a 2" Ball

High-Efficiency Toilet (HET) with Powerful Pressure-Assist
1.28 gpf/4.8 lpf Flush

Extra-Quiet Flushing Action

Pressure-Assist – Equipped with Sloan Flushmate® IV

Flushes 1,000 grams of solids*

Extra-Large 12" x 10-1/2" Water Surface

Chrome-Plated Metal Flush Lever

Ideal Height™ A.D.A. Compliant – 16-1/2" High

5-Year Warranty on Vitreous China

V-Gloss™ High-Gloss Vitreous China – Durable, Nonporous

Bowl Shape Compatible with Bemis® 170 & 1800 Toilet Seats

SPECIFICATIONS

3134-V	Elongated Bowl	53 Lbs.
3471-V	12" Rough-In Tank	37 Lbs.
3478-V	12" Right-Hand Flush	37 Lbs.

See other side for additional options.



Meets ASME A112.19.2 / CSA B45.1
Seat Not Included

*per MaP test

THE PROVEN LEADER
IN FLUSHING PERFORMANCE™

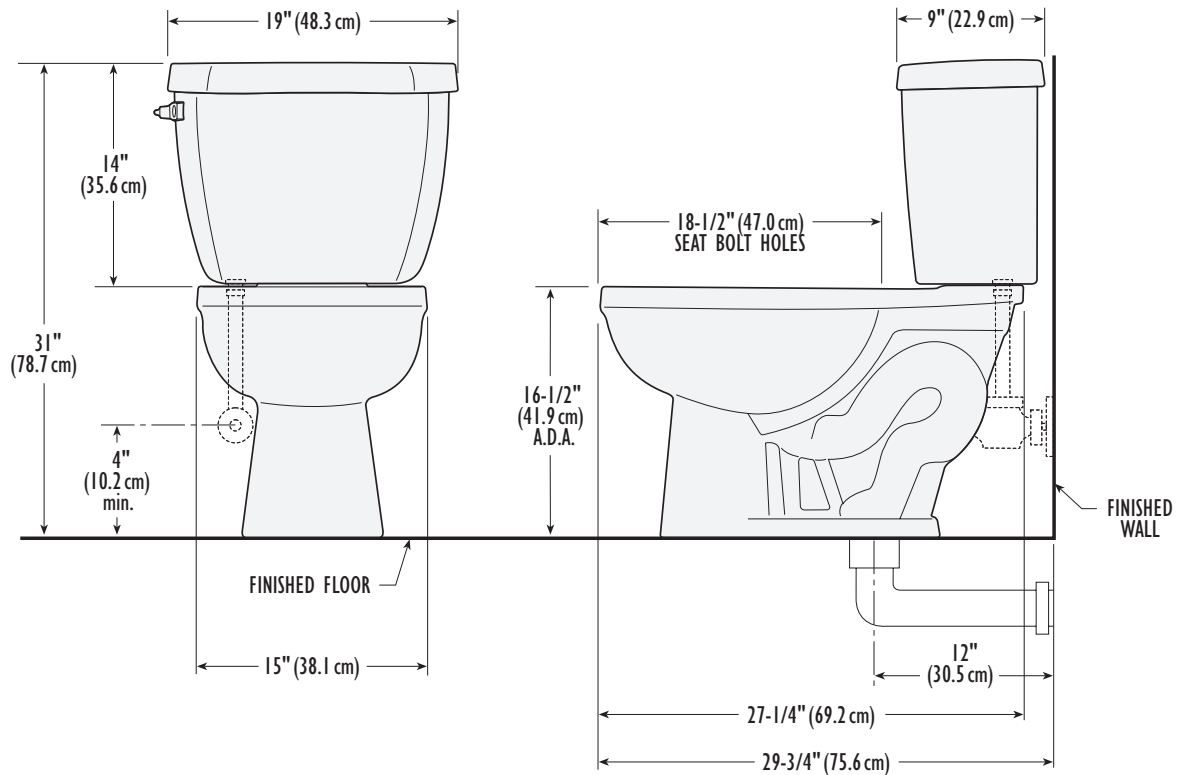
Vortens®
The Vortens logo graphic, which consists of several curved, horizontal lines that sweep upwards and to the right, creating a sense of motion and flow.

TORNADO ADA HET

Model 3134-3471

DIMENSIONS

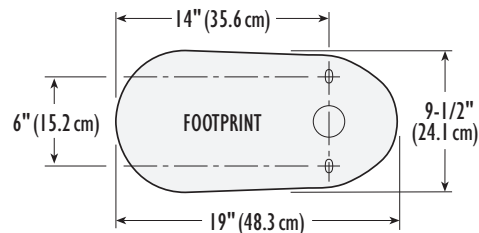
IMPORTANT: Dimensions of fixtures are nominal and may vary within the range of tolerance established by the standards ASME A112.19.2 / CSA B45.1. These measurements are subject to change or cancellation. No responsibility is assumed for use of superseded or voided pages.



SPECIFICATIONS

3134-V	Elongated Bowl	53 Lbs.
3471-V	12" Rough-In Tank 1.28 gpf / 4.8 lpf Flush	37 Lbs.
3478-V	12" Right-Hand Flush 1.28 gpf / 4.8 lpf Flush	37 Lbs.
3468-V*	12" Rough-In Tank 1.0 gpf / 3.8 lpf Flush	37 Lbs.
3470-V*	12" Right-Hand Flush 1.0 gpf / 3.8 lpf Flush	37 Lbs.

*Special Order



COLORS

02: White

Other: Refer to price book for additional colors/finishes

Color number is indicated between part number and letter suffix (i.e. 3464-02-V)



U.S. CUSTOMER SERVICE
Toll Free: 866-821-2811
customerservice@vortens.com
ussales@vortens.com
www.vortens.com

CANADIAN CUSTOMER SERVICE
Toll Free: 866-363-1365
canadiansales@vortens.com
www.vortens.com

