

# REGENCY RF SUITE

Toilet 3102-3450

Lavatory 3504-3514



## FEATURES

2-1/8" Fully Glazed Trapway –  
Passes a 2" Ball

Powerful & Efficient 1.6 gpf/6.0 lpf

Equipped with – Pilot Valve

Flushes 500 grams of solids

Victorian Style with Side-Mounted,  
Chrome-Plated Metal Flush Lever

10" x 8" Water Surface

Hidden Front Overflow Lavatory

Victorian-Style Lavatory

5-Year Warranty on Vitreous China

3-Year Warranty on Component  
and/or Accessory Parts

V-Gloss™ High-Gloss Vitreous China –  
Durable, Nonporous

## SPECIFICATIONS

3102-V	Round Front Bowl	45 Lbs.
3450-V	12" Rough-In Tank	37 Lbs.
3504-V	4" Basin	48 Lbs.
3514-V	Pedestal	29 Lbs.

See other side for additional options.



Meets ASME A12.19.2 / CSA B45.1  
Seat and Faucet Not Included

THE PROVEN LEADER  
IN FLUSHING PERFORMANCE™

Vortens®  
TM

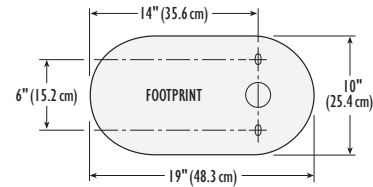
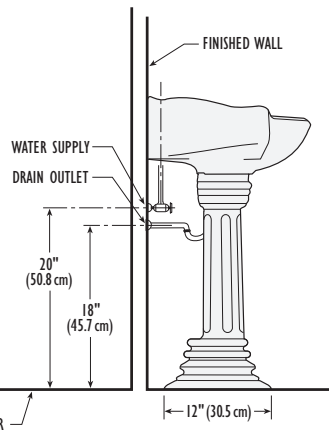
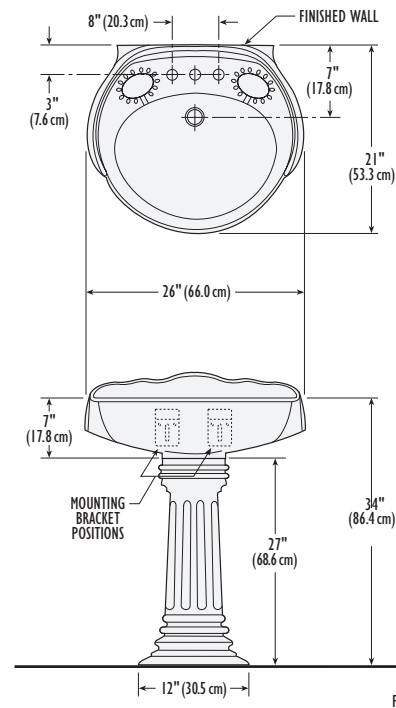
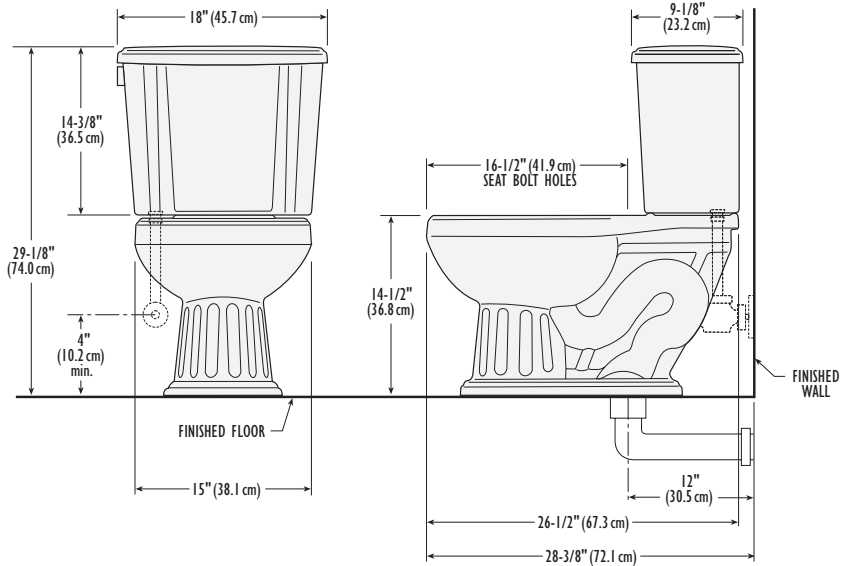
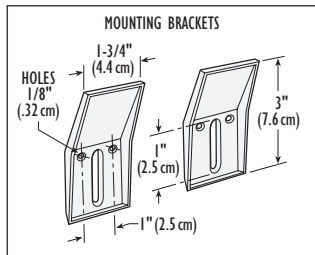
# REGENCY RF SUITE

Toilet 3102-3450

Lavatory 3504-3514

## DIMENSIONS

**IMPORTANT:** Dimensions of fixtures are nominal and may vary within the range of tolerance established by the standards ASME A112.19.2 / CSA B45.1. These measurements are subject to change or cancellation. No responsibility is assumed for use of superseded or voided pages.



## SPECIFICATIONS

3102-V	Round Front Bowl	45 Lbs.
3450-V	12" Rough-In Tank	37 Lbs.
3450-L	12" Rough-In Insulated Tank	38 Lbs.
3504-V	4" Basin	48 Lbs.
3543-V	8" Basin	48 Lbs.
3544-V	Single Hole Basin	48 Lbs.
3514-V	Pedestal	29 Lbs.

## COLORS

02: White

Other: Refer to price book for additional colors/finishes

Color number is indicated between part number and letter suffix (i.e. 3464-02-V)



**U.S. CUSTOMER SERVICE**  
Toll Free: 866-821-2811  
customerservice@vortens.com  
ussales@vortens.com  
www.vortens.com

**CANADIAN CUSTOMER SERVICE**  
Toll Free: 866-363-1365  
canadiansales@vortens.com  
www.vortens.com

