

REGENCY EL SUITE

Toilet 3104-3451

Lavatory 3504-3514



FEATURES

2-1/8" Fully Glazed Trapway –
Passes a 2" Ball

Powerful & Efficient 1.6 gpf/6.0 lpf

Equipped with – Pilot Valve

Flushes 500 grams of solids

Victorian Style with Side-Mounted,
Chrome-Plated Metal Flush Lever

9" x 8-1/2" Water Surface

Hidden Front Overflow Lavatory

Victorian-Style Lavatory

5-Year Warranty on Vitreous China

3-Year Warranty on Component
and/or Accessory Parts

V-Gloss™ High-Gloss Vitreous China –
Durable, Nonporous

SPECIFICATIONS

3104-V	Elongated Bowl	52 Lbs.
3451-V	12" Rough-In Tank	35 Lbs.
3504-V	4" Basin	48 Lbs.
3514-V	Pedestal	29 Lbs.

See other side for additional options.



Meets ASME A112.19.2 / CSA B45.1
Seat and Faucet Not Included

THE PROVEN LEADER
IN FLUSHING PERFORMANCE™

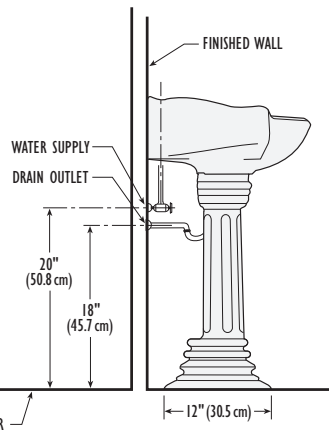
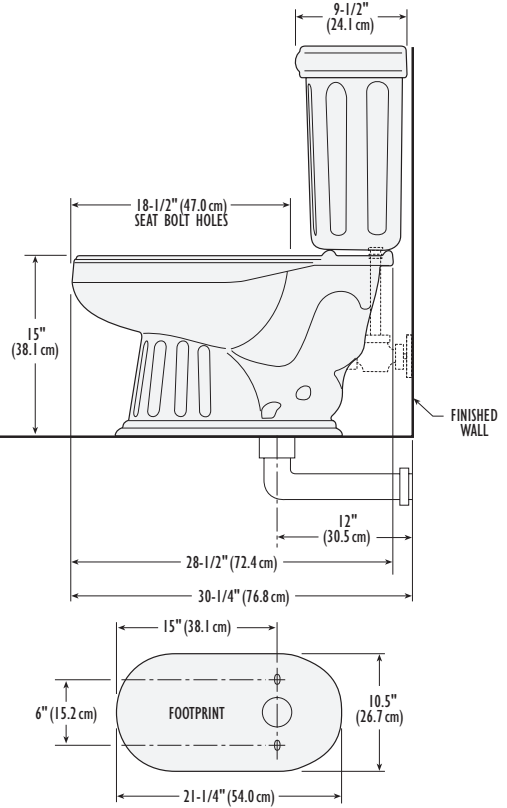
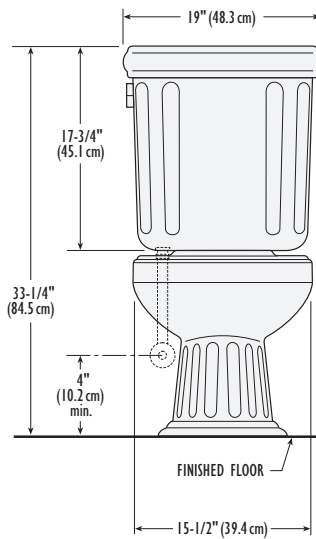
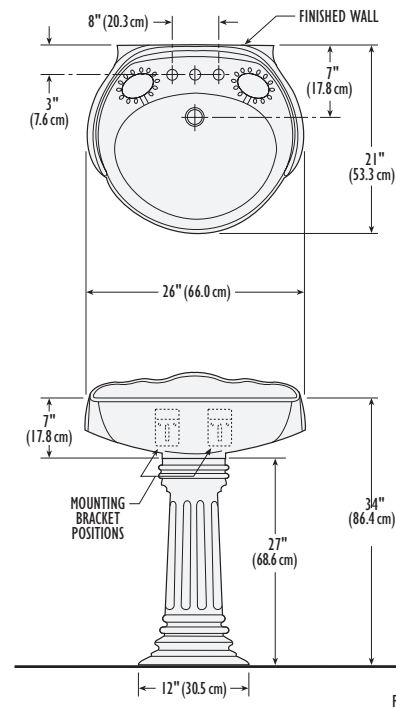
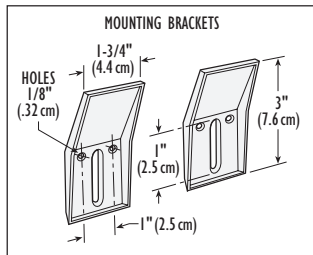
Vortens®
TM

REGENCY EL SUITE

Toilet 3104-3451

Lavatory 3504-3514

DIMENSIONS



SPECIFICATIONS

3104-V	Elongated Bowl	52 Lbs.
3451-V	12" Rough-In Tank	35 Lbs.
3504-V	4" Basin	48 Lbs.
3543-V	8" Basin	48 Lbs.
3544-V	Single Hole Basin	48 Lbs.
3514-V	Pedestal	29 Lbs.

COLORS

02: White

Other: Refer to price book for additional colors/finishes

Color number is indicated between part number and letter suffix (i.e. 3464-02-V)



U.S. CUSTOMER SERVICE

Toll Free: 866-821-2811
 customerservice@vortens.com
 ussales@vortens.com
 www.vortens.com

CANADIAN CUSTOMER SERVICE

Toll Free: 866-363-1365
 canadiansales@vortens.com
 www.vortens.com

