

GENOVA SUITE

Toilet 3121-3421

Lavatory 3556-3519



FEATURES

2-1/8" Fully Glazed Trapway – Passes a 2" Ball

Powerful & Efficient 1.6 gpf/6.0 lpf

Equipped with – Pilot Valve

Flushes 500 grams of solids

Contemporary Style with Side-Mounted, Chrome-Plated Metal Flush Lever

9" x 8" Water Surface

Hidden Front Overflow Lavatory

Contemporary-Style Lavatory

5-Year Warranty on Vitreous China

3-Year Warranty on Component and/or Accessory Parts

V-Gloss™ High-Gloss Vitreous China – Durable, Nonporous

SPECIFICATIONS

3121-V	Elongated Bowl	50 Lbs.
3421-V	12" Rough-In Tank	33 Lbs.
3556-V	4" Basin	44 Lbs.
3519-V	Pedestal	21 Lbs.

See other side for additional options.



Meets ASME A112.19.2 / CSA B45.1
Seat and Faucet Not Included

THE PROVEN LEADER
IN FLUSHING PERFORMANCE™

Vortens®
ONLY THE BEST INSIDE

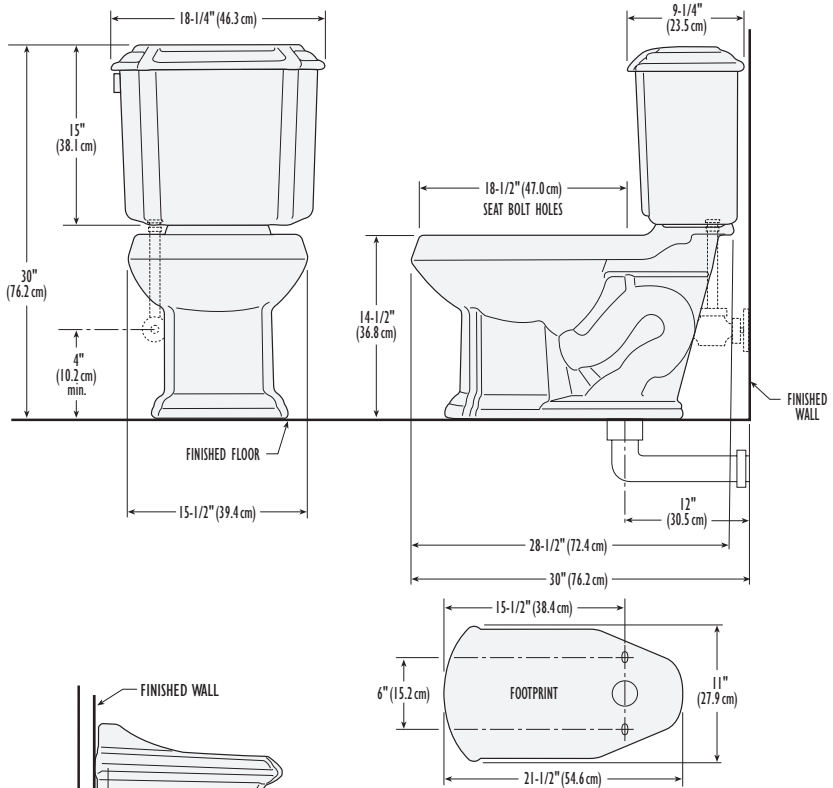
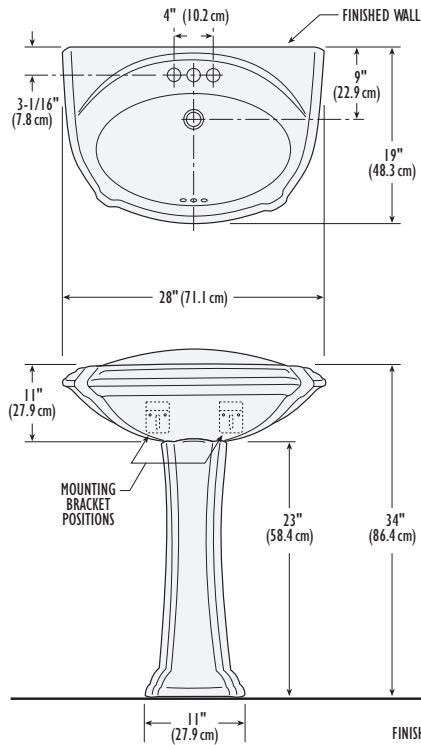
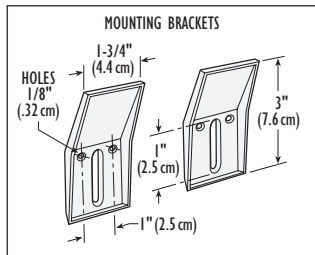
GENOVA SUITE

Toilet 3121-3421

Lavatory 3556-3519

DIMENSIONS

IMPORTANT: Dimensions of fixtures are nominal and may vary within the range of tolerance established by the standards ASME A112.19.2 / CSA B45.1. These measurements are subject to change or cancellation. No responsibility is assumed for use of superseded or voided pages.



SPECIFICATIONS

3121-V	Elongated Bowl	50 Lbs.
3421-V	12" Rough-In Tank	33 Lbs.
3556-V	4" Basin	44 Lbs.
3557-V	8" Basin	44 Lbs.
3558-V	Single Hole Basin	44 Lbs.
3519-V	Pedestal	21 Lbs.

COLORS

02: White

Other: Refer to price book for additional colors/finishes

Color number is indicated between part number and letter suffix (i.e. 3464-02-V)



U.S. CUSTOMER SERVICE

Toll Free: 866-821-2811
 customerservice@vortens.com
 ussales@vortens.com
 www.vortens.com

CANADIAN CUSTOMER SERVICE

Toll Free: 866-363-1365
 canadiansales@vortens.com
 www.vortens.com

